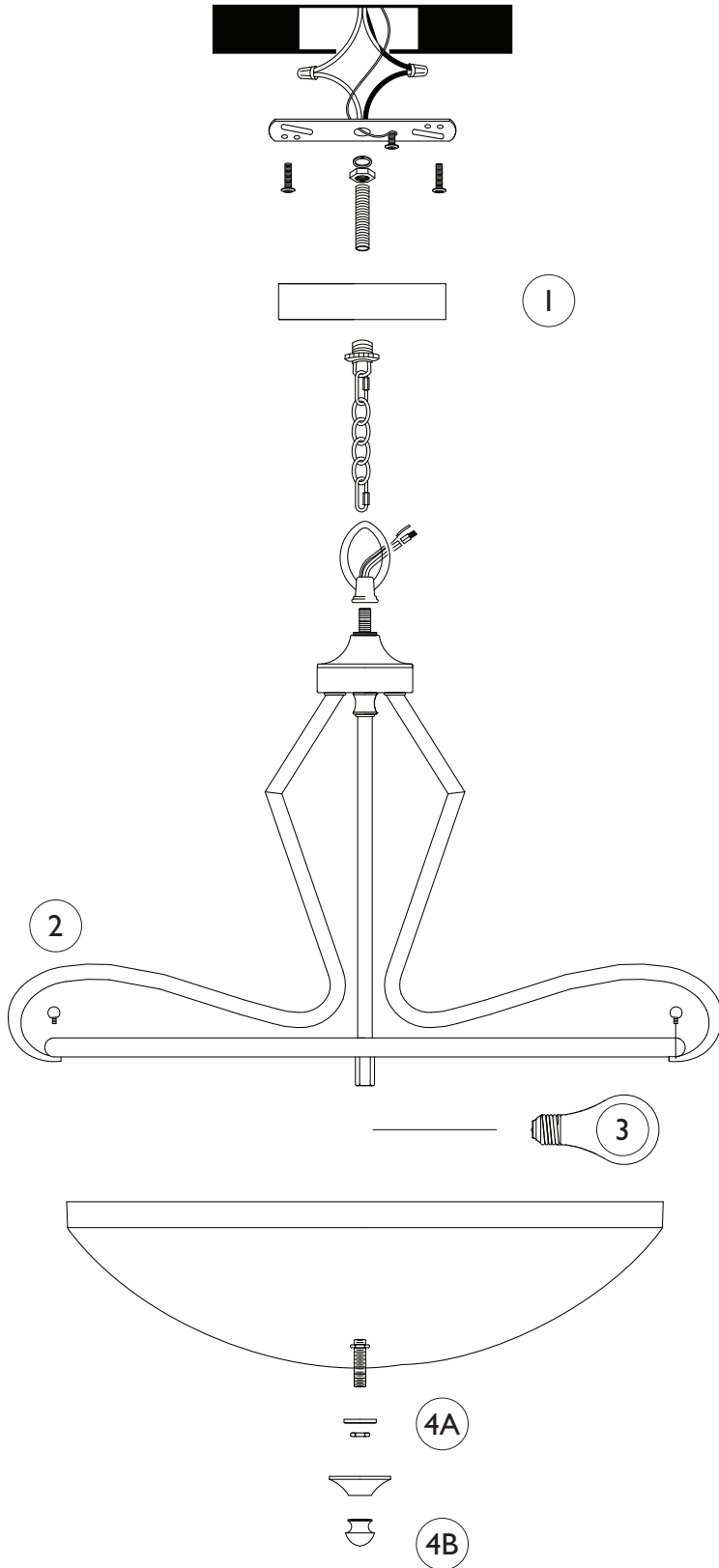


Assembly Instructions For

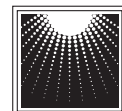
F2658/3 (E) 12/10



IMPORTANT
TURN OFF THE POWER AT THE MAIN
FUSE OR CIRCUIT BREAKER BOX
BEFORE STARTING INSTALLATION

Carefully unpack and identify all parts before assembly. Bulbs not included.

1. Follow enclosed supplement installation instructions for electrical and fixture installation onto house outlet box. If you do not have an outlet box at desired location to attach the fixture then hire a qualified electrician to create one.
2. Attach fixture arms onto the fixture and secure with cap nut screws.
3. Install light bulb (not included). See relamping label at socket area for type and maximum allowed wattage.
4. A. Slip shade through long threaded pipe until it securely checks into bottom of crown. Secure in position by fastening with a flat washer and hex nut. Do not over tighten.
B. Install font by fastening with finial.



MURRAY
F E I S S

GENERATION
BRANDS™