



SPA-160 • SFA-191 Ice Dispensers

SPA-160 • SFA-191 Ice Dispensers

Model

- SPA-160 SFA-191

ONLY 22" WIDE

SPA Model

Designed for ice bucket filling in hotels, motels, and resorts

With Indigo and Indigo NXT ice machines you can program the ice machines to be off certain hours of the day so that while the hotel guests are sleeping, the ice machine can be too!



Indigo NXT iT0620 Ice Machine
SPA-160 Ice Dispenser

SFA Model

Designed for "large" container ice filling. Accepts up to 10.5" (26.67 cm) high container

Built-in water valve



Indigo NXT iT0620 Ice Machine
SFA-191 Ice & Water Dispenser



Standard Features

- 120 lbs. (54.4 kgs.) ice storage capacity. Accepts 22" (55.88 cm) wide Manitowoc ice machine.
- Only 22" (55.88 cm) wide, 31" (78.7 cm) deep, and 75.5" high (191.77 cm).
- Patented rocking chute dispense mechanism reduces in-flight ice and ice spillage with quick on/off activation.
- Efficient built-in agitator assures 100% dispensing. Oversized drain pan collects larger quantity of ice overflow.
- DuraTech™ exterior provides superior corrosion resistance. Stainless finish with innovative clear-coat resists fingerprints and dirt.

Warranty

- 5-year parts and 5-year labor coverage on ice machine evaporator.
- 5-year parts and 3-year labor coverage on ice machine compressor.
- 3-year parts-and-labor coverage on all other ice machine and dispenser components.

Ice Shape



Half Dice
3/8" x 1 1/8" x 7/8"
(.95 x 2.86 x 2.22 cm)

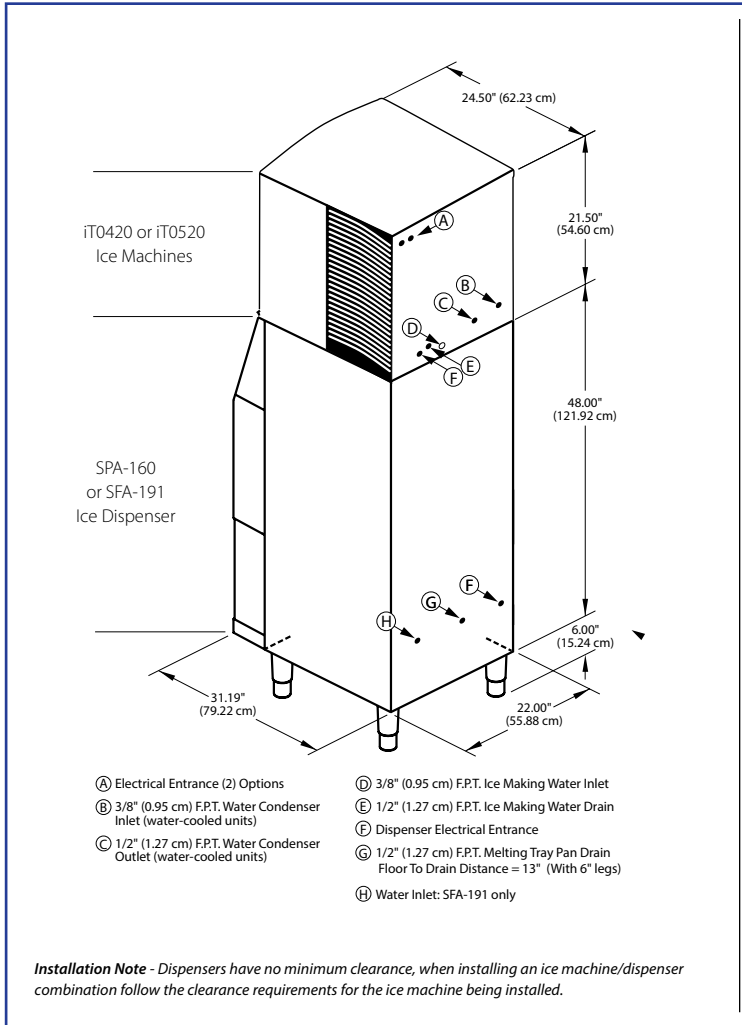


Dice
7/8" x 7/8" x 7/8"
(2.22 x 2.22 x 2.22 cm)



COMPANY WITH
QUALITY SYSTEM
CERTIFIED BY DNV
= ISO 9001:2008 =

Welbilt reserves the right to make changes to the design or specifications without prior notice.



Ice Machine Electric

Note: Dispenser will accept single 22" wide ice machine. Ice machine ordered separately. Choose Dice or Half Dice cube size. Refer to ice machine specification sheet for electrical and complete AHRI standard ratings.

Dispenser Electric:

115/60/1. (208-230/60/1 and 230/50/1 also available.)

Maximum Circuit Fuse Size:

15.0 amps. HACR-type circuit breakers can be used in place of fuses.

Dispenser Electrical Connection:

6' power cord, rated 125 VAC, 16-3 conductors with standard 3-prong, straight-blade, ground-type plug (NEMA configuration 5-15P).

Motor:

1.6 amps maximum. Permanently lubricated.

Service Access:

Dispenser door removes easily to access components.

Model Options:

SPA-160 push-for-ice rocking chute, SFA-191 has a water valve option.

Series iT0420 (115 volt)

Model	Ice Shape	Ice Production 24 Hours			
		70°Air/50°F Water		90°Air/70°F Water	
		lbs.	kgs.	lbs.	kgs.
IDT-0420A	dice	470	213	375	170
IDT-0420W	dice	454	206	400	181
IYT-0420A	half-dice	460	209	375	170
IYT-0420W	half-dice	490	222	425	193

Series iT0620 (115 volt)

Model	Ice Shape	Ice Production 24 Hours			
		70°Air/50°F Water		90°Air/70°F Water	
		lbs.	kgs.	lbs.	kgs.
IDT-0620A	dice	525	238	410	186
IDT-0620W	dice	560	254	450	204
IYT-0620A	half-dice	530	240	450	204
IYT-0620W	half-dice	575	261	465	211

Lumince® II Growth Inhibitor reduces yeast and bacteria growth for a cleaner ice machine.



ArcticPure® Water Filters

AR-Pre filters, dirt, rust and sediment.



AR-10000 reduces: scale, chlorine taste, and odor. Ice looks and tastes better.

