

OVERLAY PANEL INSTALLATION INSTRUCTIONS

PRODUCT INFORMATION

Thank you for purchasing your panel ready gourmet icemaker from Avallon. Our brand set out with one particular goal: To present appliances that are as reliable and recognizable as they are attainable. We create products that invite entire kitchens to be built around them, serving as an establishing feature in the very spaces they occupy.

In accordance with our ongoing mission to provide cutting-edge and forward-thinking products to our loyal customers, we recently introduced a line of panel ready appliances. These models are fully customizable, and in just a few short steps, you can match your undercounter icemaker with your adjacent cabinetry.

This document serves as a guide for installing custom door panels on any of these models. For more product information, including owner's manuals, dimension guides, and more, visit Avallon.com.

PANEL INSTALLATION INSTRUCTIONS



TOOLS REQUIRED

- Phillips Screwdriver
- Drill and 7/64" Drill Bit
- #6 Wood Screws*
- Clamps (Recommended)



NOTE

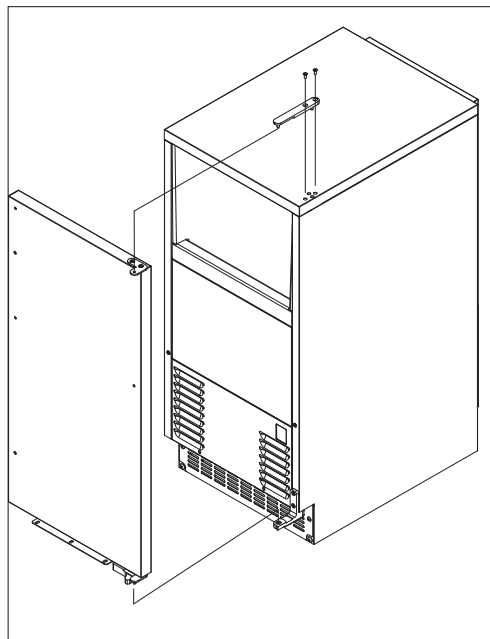
*Because the sizes of overlay panels vary, hardware for mounting your overlay is not included with your Avallon panel ready icemaker. #6 wood screws are recommended. The required length depends on the thickness of your overlay panel. Take care to ensure the screws are not too long to avoid them protruding through the overlay panel.



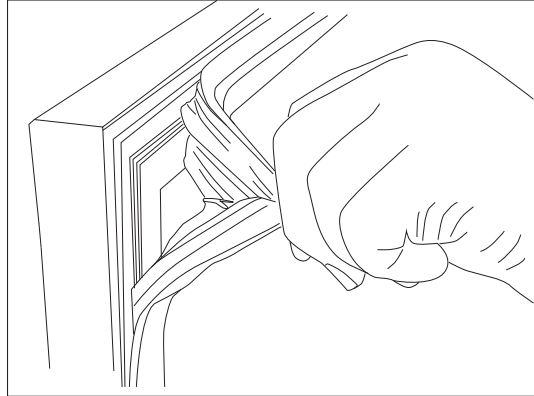
IMPORTANT

Warning: The weight of the overlay panel should not exceed 15 lbs.

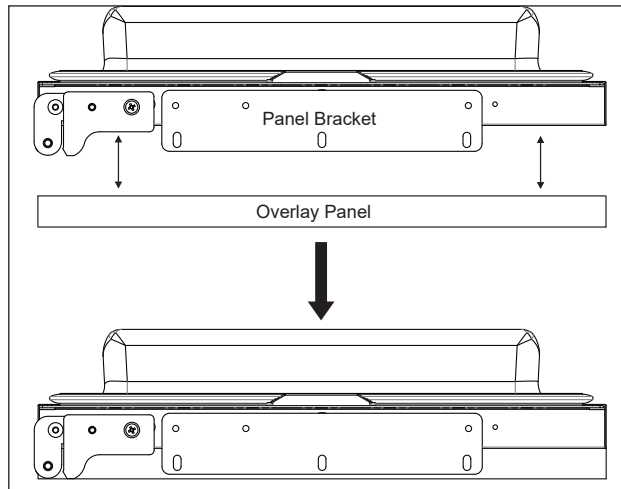
1. Open the door.
2. Using a Phillips screwdriver, remove the two screws from the top hinge bracket and carefully lift the door off the bottom hinge. Set the screws and bracket aside in a safe location.



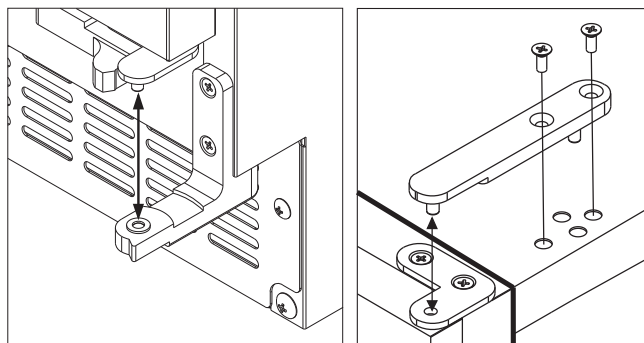
- Place the door (front facing downward) on a blanket, sheet of cardboard, or other soft material before proceeding.
- Peel away and remove the door gasket from the inside of the door as shown below. We recommend starting at one corner and gently pulling to avoid tearing the gasket. Set the gasket aside in a safe location.



- Place the door (front facing downward) on top of the overlay panel as shown below. Align the bottom edge of the overlay panel with the panel bracket at the bottom of the door. We recommend clamping the two pieces together before proceeding to prevent movement and misalignment.



- Drill pilot holes into your overlay panel using the screw hole openings in the Avallon door for exact placement.
- Use four #6 wood screws of the correct length to secure the overlay panel to the door. The length of screw depends on the thickness of your overlay panel. Take care to ensure the screws are not too long to avoid them protruding through the overlay panel.
- Use three #6 wood screws to secure the bottom of the overlay panel to the bracket at the bottom of the door.
- Your Avallon icemaker comes with a standard towel bar handle. If you choose to install this handle, do so using the designated holes in the door. Hole positioning is shown on the diagram on the last page.
- Replace the door gasket.
- Place the door back on the bottom hinge and then replace the top hing bracket screws with a Phillips screwdriver. Make sure the door is secure.



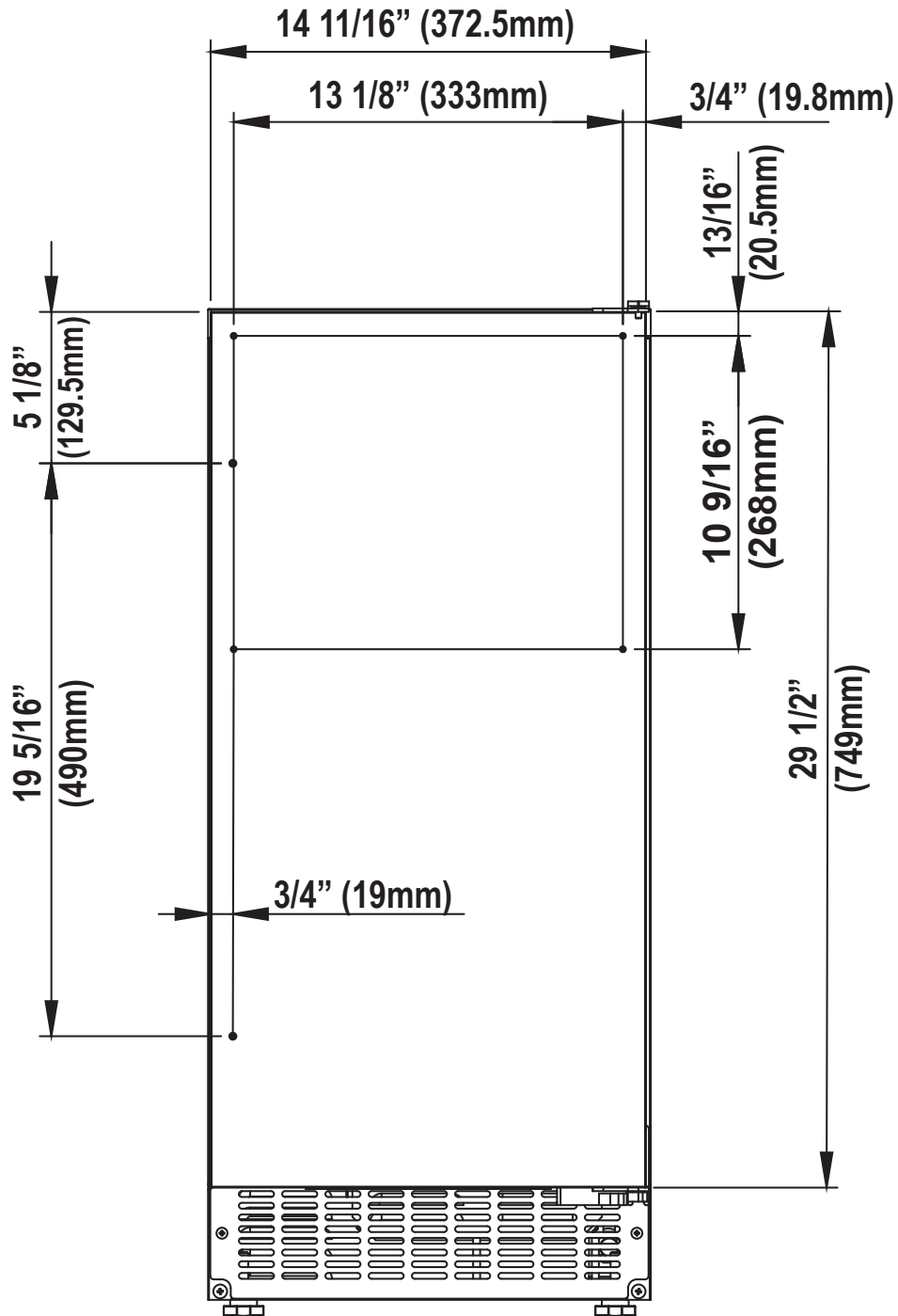
DOOR DIMENSIONS AND SCREW PLACEMENT

MODELS: AIMG151GPRILH, AIMG151GPRIRH, AIMG151PPRILH, AIMG151PPRIRH



IMPORTANT

Warning: The images below are for reference only. Due to manufacturing tolerances, the location of the bores in the door for screw placement may vary slightly. We strongly recommend having the Avallon unit on-site prior to drilling pilot holes in the overlay panel.



***Handle screw placement for left hinged models is reversed.**