

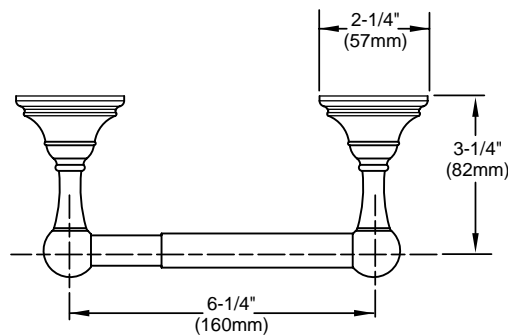


Features:

- Solid Brass Construction
- Concealed Mounting
- Metal Spool in Matching Finish

	Product Number
Hatteras 2-Post Tissue Holder	042/146

Available Finishes:	
Polished Chrome	100
Brushed Nickel	144
Platinum Nickel	150



IMPORTANT: Dimensions of faucets are nominal and may vary within the range of tolerances established by ANSI Standard A112.18.1
These Measurements are subject to change or cancellation. No responsibility is assumed for use of superseded or voided pages.