

For use on doors 1-3/4" to 2" (45 mm - 51 mm) thick

TOOLS REQUIRED FOR NEW INSTALLATION:

- (1) Phillips Head Screwdriver
- (1) 2-1/8" (54 mm) Hole Saw
- (1) 1" (25.4 mm) Drill Bit
- (1) Chisel
- (1) Hex Wrench (Provided)

TOOLS REQUIRED FOR REPLACEMENT INSTALLATION:

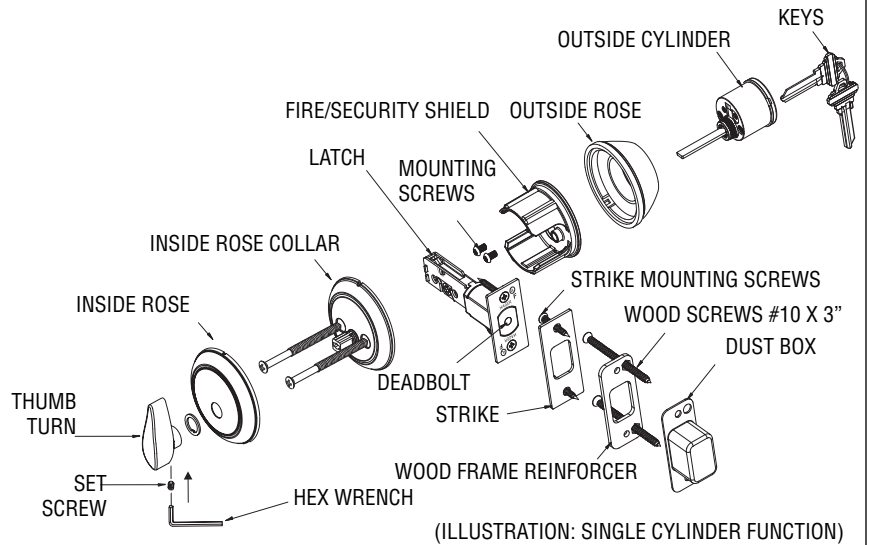
- (1) Phillips Head Screwdriver

FOR REMODELING OR NEW CONSTRUCTION:

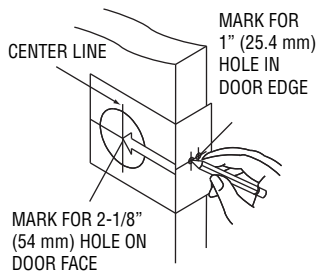
-Follow all steps

FOR REPLACEMENT OF EXISTING LOCK:

-Follow steps 3C, 4C, and 5 (single cylinder) or 6 (double cylinder) after removal of old lock

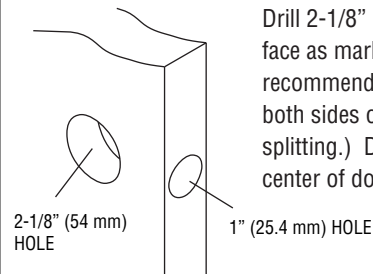


1. MARK DOOR



Measure center line of lock; height as desired from finished floor. Select 2-3/4" or optional 2-3/8" backset, fold and apply template to high side of bevel door and mark center of door edge as indicated on template. Mark center hole on door face through guide on template.

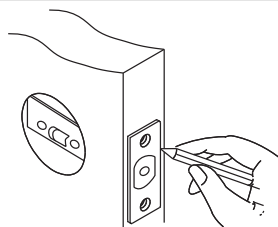
2. DRILL HOLES



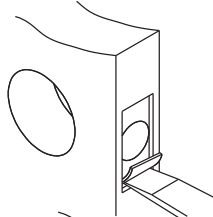
Drill 2-1/8" (54 mm) hole through door face as marked for lockset. (It is recommended that holes be drilled from both sides on wood doors to prevent splitting.) Drill 1" (25.4 mm) hole in center of door edge for latch.

3. INSTALL LATCH

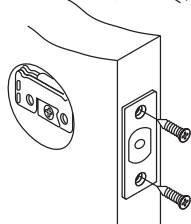
A. Insert latch in hole keeping it parallel to face of door. Mark outline of latch face plate and remove latch.



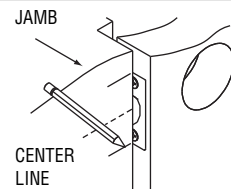
B. Chisel 5/32" (4 mm) deep or until latch face plate is flush with door edge.



C. Insert latch and tighten to the door using #8 screws.

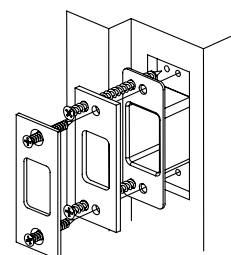
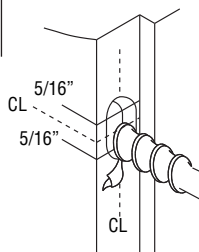


4. INSTALL STRIKE



A. Close door. Locate strike in jamb and center line of strike. Open door and extend line to door stop. Measure one half of door thickness plus 1/8" from door stop. Vertically mark center line for strike.

B. Drill two 1" (25.4 mm) holes 1-1/4" (32 mm) deep in door jamb and 5/16" (8 mm) above and 5/16" (8 mm) below horizontal center line. CAUTION: To ensure proper lockset function, hole in jamb must be drilled a full 1-1/4" (32 mm) deep.

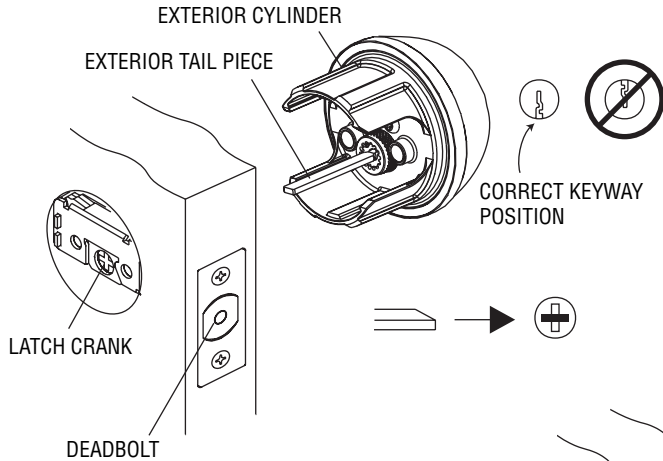


C. Match screw holes on strike with vertical centerlines on jamb. Mark outline of strike and chisel 1/4" (6.4 mm) deep for flush fit of dust box, wood frame reinforcer, and strike. Place dust box and wood frame reinforcer into mortised area and tighten to the frame using 3" wood screws. Insert the strike and tighten to the frame with #8 screws.

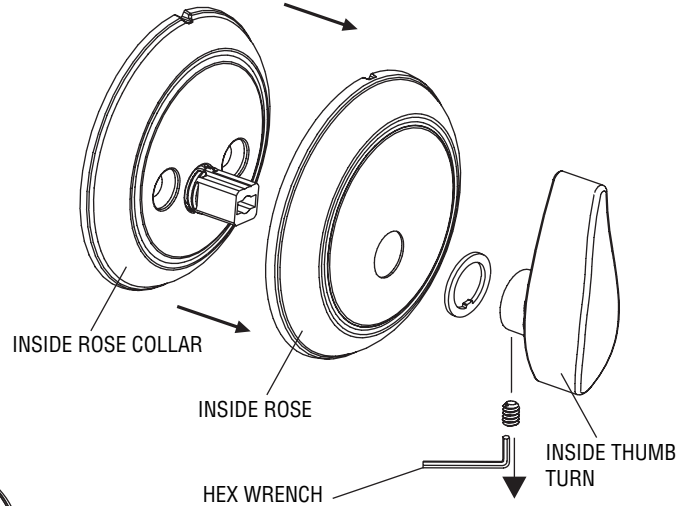
NOTE: Mortise 5/64" (2 mm) deep if mounting strike plate only.

5. INSTALL SINGLE CYLINDER (SKIP TO STEP 6 IF USING DOUBLE CYLINDER)

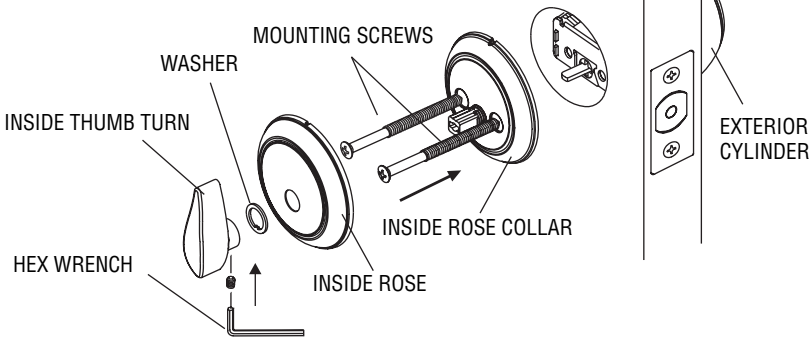
A. Retract deadbolt to unlock position. Insert exterior tail piece horizontally through latch crank.



B. First, use hex wrench to remove inside thumb turn, remove washer and separate rose from inside rose collar.

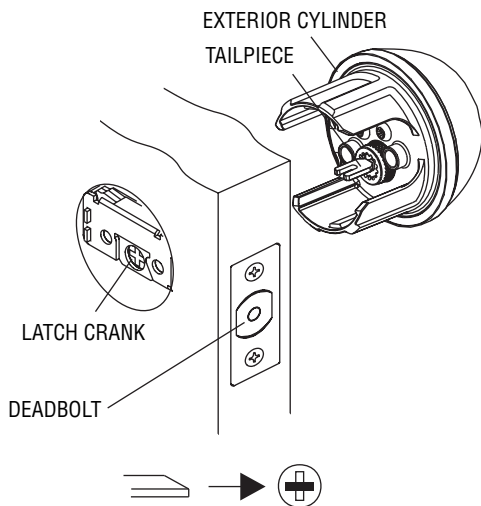


C. Press exterior cylinder flush against door. Install inside rose collar and tighten mounting screws. Press on rose, washer, and thumb turn. Use hex wrench to securely tighten thumb turn in place.



6. INSTALL DOUBLE CYLINDER

A. Retract deadbolt to unlock position. Insert exterior tail piece horizontally through latch crank.



B. Press exterior cylinder flush against door. Install interior tail piece vertically through latch crank. Press interior cylinder flush against door and tighten mounting screws.

