

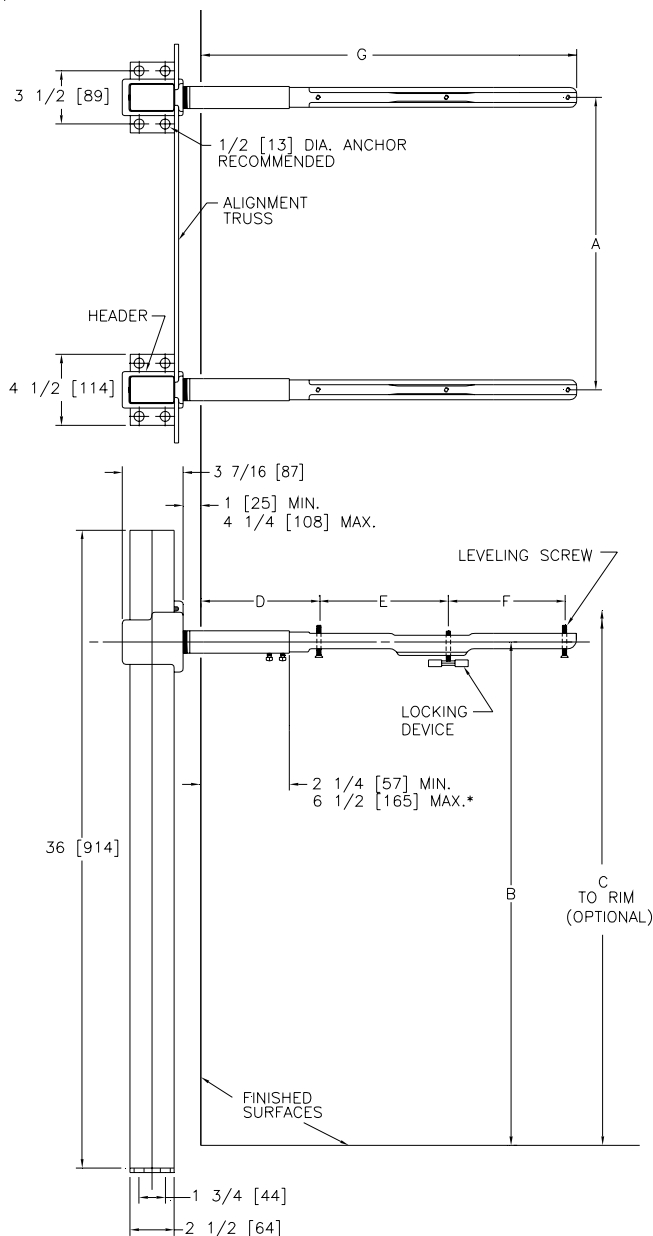


# INSTALLATION SHEET

(TYPICAL INSTALLATION SHOWN)

## Z1231-79

Dimensional Data (inches and [ mm ]) are Subject to Manufacturing Tolerances and Change Without Notice



\*WITH STANDARD SLEEVE LENGTH OF 7 1/4

	A	B	C	D	E	F	G
<b>American Std. (20 x 27)</b>							
Wheelchair 9140.013, .021, .039, .047, .913, .947							
9141.011, .029, .035, .911							
16-3/4	32-1/4	34	7-1/2	7	7	21-7/8	
[425]	[819]	[864]	[191]	[178]	[178]	[556]	
<b>Eljer (20-1/2 x 27-1/4)</b>							
Wheelchair 051-2961, 051-2964, 051-2968							
16-3/4	33	34	7-1/2	7	7	21-7/8	
[425]	[838]	[864]	[191]	[178]	[178]	[556]	
<b>Kohler (20 X 27)</b>							
Morningside K-12634 K-12635 K-12636 K-12638							
16-3/4	32-1/2	34	7-1/2	7	7	21-7/8	
[425]	[826]	[864]	[191]	[178]	[178]	[556]	
<b>Zurn Commercial Fixtures Lavatory (20-1/4 x 27)</b>							
ADA Lavatories Z5331, Z5334, Z5338							
16-3/4	32-1/4	34	7-1/2	7	7	21-7/8	
[425]	[819]	[864]	[191]	[178]	[178]	[556]	

### PARTS LIST

### PART NUMBER

(2) Header	56311-001
(1) Alignment Truss (24 [610])	28588-008
(2) Arm	02008-XXX
(2) Arm Sleeve (7-1/4 [184])	02009-002
(4) Arm Set Screw (3/8-16 X 1/2 [13])	18006-071
(4) Header Set Screw (3/8-16 X 1/2 [13])	18006-071

### (1) BAG # 8:

(2) Locking Device	30027-001
(4) Leveling Screw	23453-042

(1/4-20 X 1-3/4 [45])	
(3) INSTRUCTION SHEET	Form #C3-C6

FORM# C4 Date: 12/17/07  
C.N. No. 97859 REV. H