

STERLING®

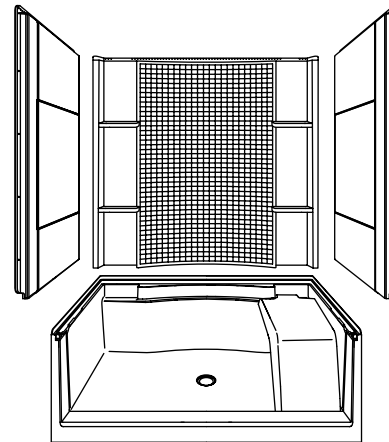
A KOHLER COMPANY

ACCORD®

Features

- Compression molded from our exclusive solid Vikrell® material
- Modular 4-piece design
- Pivot "snap together" installation
- Caulkless seam installation
- Wall surround allows for attachment of grab bars
- Convenient shelves provide generous storage
- Durable, chemical-resistant removable seat
- Removable seat can be conveniently placed on either side of receptor
- Not recommended as a receptor only installation
- 10-year consumer/3-year commercial limited warranty
- 60-1/8" (152.7 cm) x 37-1/4" (94.6 cm) x 75-7/8" (192.7 cm) rough-in dimensions include nailing flange
- 60" (152.4 cm) x 36" (91.4 cm) x 74-1/2" (189.2 cm) complete unit finished dimensions

60" (152.4 cm) SEATED RECEPTOR AND SURROUND W/BACKER BOARDS 72290106



Codes/Standards Applicable

Specified model meets or exceeds the following:

- ANSI Z124.1.2
- CSA B45.0
- CSA B45.5
- ASTM E162
- ASTM E662

Colors/Finishes

- 0: White
- Other: Refer to Price Book for additional colors/finishes

Specified Model

Model	Complete Unit Description	Colors/Finishes	
72290106	60" (152.4 cm) seated receptor and surround with backer boards	<input type="checkbox"/> 0	<input type="checkbox"/> Other _____

Model	Component Description	Colors/Finishes	
72291100	60" (152.4 cm) receptor with removable seat	<input type="checkbox"/> 0	<input type="checkbox"/> Other _____
71164106	60" (152.4 cm) complete wall set with backer boards	<input type="checkbox"/> 0	<input type="checkbox"/> Other _____

Technical Information

Door maximum width		Door maximum height	
56-1/8" (142.6 cm) at threshold		70-5/8" (179.4 cm)	
56-5/8" (143.8 cm) at top			
Removable seat	Height	Surface width	Surface length
	15-3/4" (40 cm)	11-3/4" (29.8 cm)	21-1/4" (54 cm)

Installation Notes

Install this product according to the installation guide.

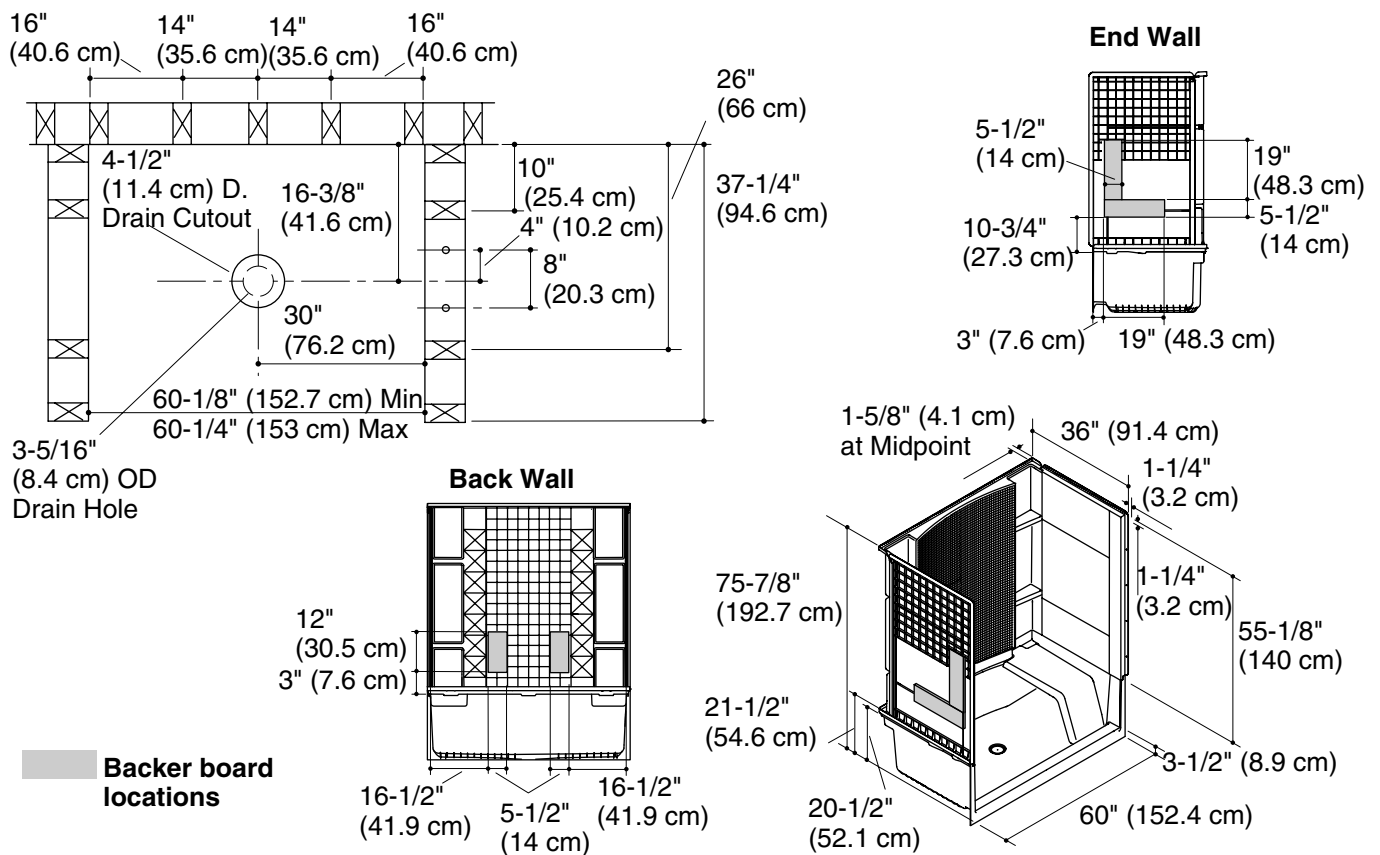
Size the drain cutout to fit the drain assembly that will be used.

Horizontally mounted grab bar must be curved to fit back wall.

End stud positioning is critical. Double studding is recommended for pivot shower door installations.

Studs should be positioned roughly as shown.

Receptor cannot be installed without the wall surround.



Product Diagram