

STERLING®

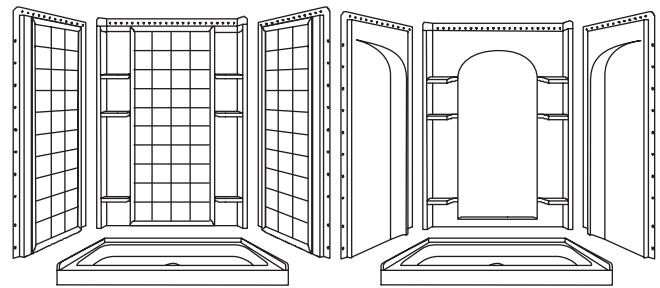
A KOHLER COMPANY

ENSEMBLE™

Features

- Compression molded from our exclusive solid Vikrell® material
- Tongue-and-groove 4-piece modular design allows for easy "snap together" installation
- Convenient shelves provide generous storage
- Shaving ledge and foot rest added for comfort
- Receptor can be ordered separately
- Durable high-gloss finish
- 10-year consumer/3-year commercial limited warranty
- 48-1/4" (122.6 cm) x 35-1/4" (89.5 cm) x 77" (195.6 cm) complete unit rough-in dimensions include flange
- 48" (121.9 cm) x 34" (86.4 cm) x 75-3/4" (192.4 cm) complete unit finished dimensions

48" (121.9 cm) SHOWER RECEPTOR AND WALL SURROUND 72120100 ALSO 72220100



72120100

72220100

Codes/Standards Applicable

Specified model meets or exceeds the following:

- ANSI Z124.1.2
- CSA B45
- ASTM E162
- ASTM E662

Colors/Finishes

- 0: White
- Other: Refer to Price Book for additional colors/finishes

Specified Model

Model	Complete Unit Description	Colors/Finishes	
72120100	48" (121.9 cm) shower receptor and wall surround, tile wall	<input type="checkbox"/> 0	<input type="checkbox"/> Other_____
72220100	48" (121.9 cm) shower receptor and wall surround, curve wall	<input type="checkbox"/> 0	<input type="checkbox"/> Other_____

Model	Wall Component Description	Colors/Finishes	
72122100	Back wall, tile	<input type="checkbox"/> 0	<input type="checkbox"/> Other_____
72103110	Left end wall, tile	<input type="checkbox"/> 0	<input type="checkbox"/> Other_____
72103120	Right end wall, tile	<input type="checkbox"/> 0	<input type="checkbox"/> Other_____
72222100	Back wall, curve	<input type="checkbox"/> 0	<input type="checkbox"/> Other_____
72203110	Left end wall, curve	<input type="checkbox"/> 0	<input type="checkbox"/> Other_____
72203120	Right end wall, curve	<input type="checkbox"/> 0	<input type="checkbox"/> Other_____

Model	Age in Place Component Description	Colors/Finishes	
72220106	Complete unit with age in place backers	<input type="checkbox"/> 0	<input type="checkbox"/> Other_____
72121100	Receptor only	<input type="checkbox"/> 0	<input type="checkbox"/> Other_____
72222106	Back wall with backers	<input type="checkbox"/> 0	<input type="checkbox"/> Other_____
72205106	End wall set with backers	<input type="checkbox"/> 0	<input type="checkbox"/> Other_____
72120106	Complete unit with age in place backers	<input type="checkbox"/> 0	<input type="checkbox"/> Other_____
72122106	Back wall with backers	<input type="checkbox"/> 0	<input type="checkbox"/> Other_____
72105106	End wall set with backers	<input type="checkbox"/> 0	<input type="checkbox"/> Other_____

ENSEMBLE™

Technical Information

Model	door maximum width	door maximum height
72120100	44-5/8" (113.3 cm)	70-1/2" (179.1 cm)
71220100		

Installation Notes

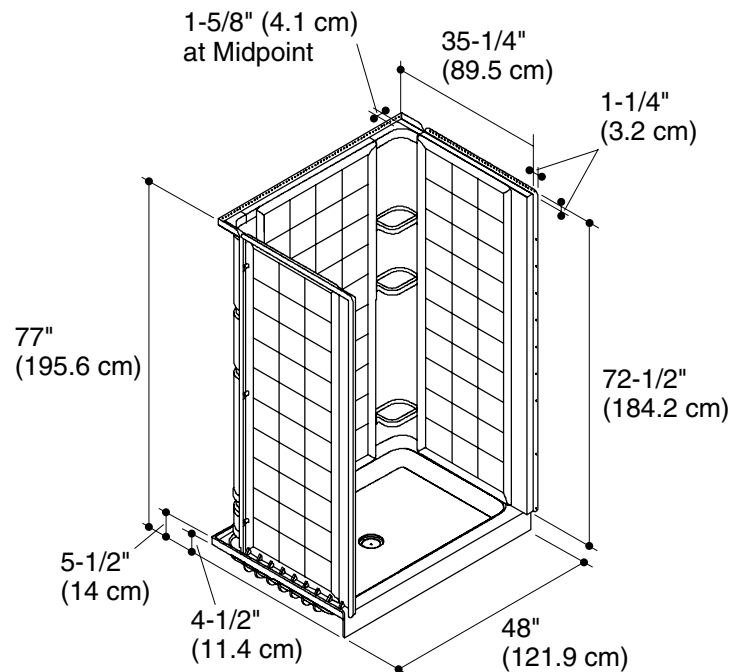
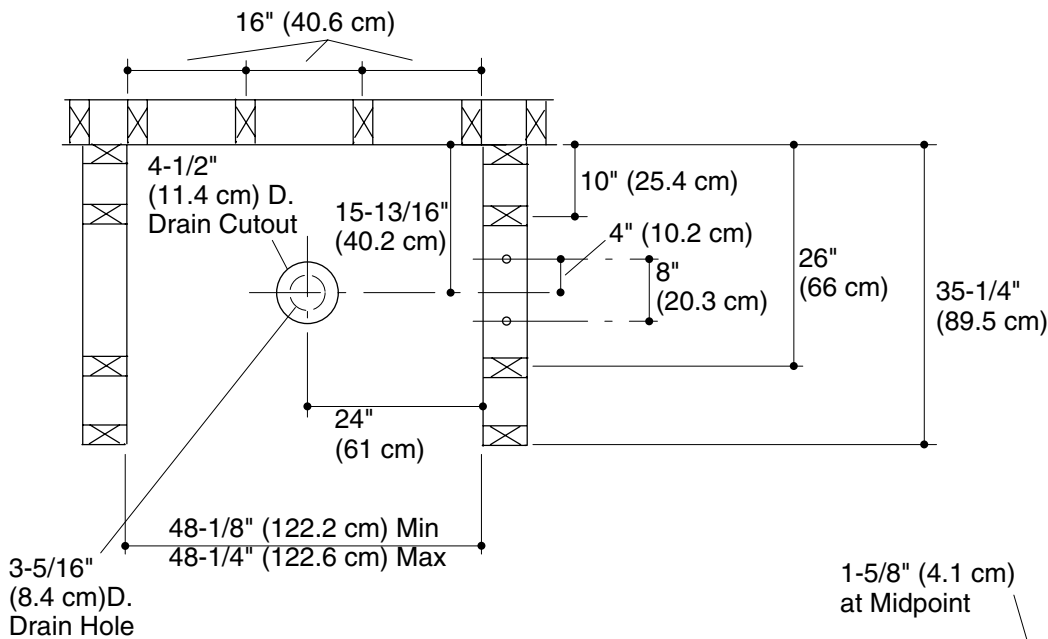
Install this product according to the installation guide.

Size the drain cutout to fit the drain assembly that will be used.

Double studding is recommended for pivot shower door installations.

Studs should be positioned roughly as shown.

Both tile and curve wall surrounds share the same dimensions.



Product Diagram

ENSEMBLE™ 48" (121.9 cm) SHOWER RECEPTOR AND WALL SURROUND

Page 2 of 2
1017264-4-G

STERLING
A KOHLER COMPANY