

# STERLING®

A KOHLER COMPANY

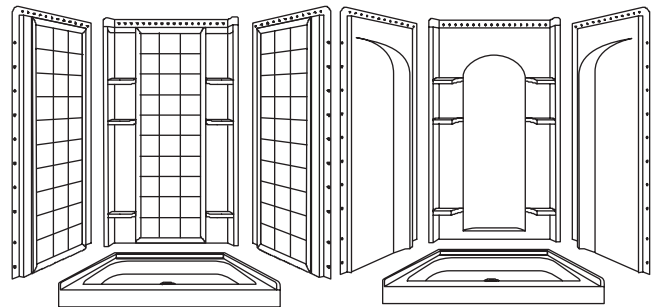
ENSEMBLE™

## Features

- Compression molded from our exclusive solid Vikrell® material
- Tongue-and-groove 4-piece modular design allows for easy "snap together" installation
- Convenient shelves provide generous storage
- Shaving ledge and foot rest added for comfort
- Receptor can be ordered separately
- Durable high-gloss finish
- 10-year consumer/3-year commercial limited warranty
- 42-1/4" (107.3 cm) x 35-1/4" (89.5 cm) x 77" (195.6 cm) rough-in dimensions include nailing flange
- 42" (106.7 cm) x 34" (86.4 cm) x 75-3/4" (192.6 cm) complete unit finished dimensions

## 42" (106.7 cm) SHOWER RECEPTOR AND WALL SURROUND

**72110100**  
ALSO 72210100



72110100

72210100

## Codes/Standards Applicable

Specified model meets or exceeds the following:

- ANSI Z124.1.2
- CSA B45
- ASTM E162
- ASTM E662

## Colors/Finishes

- 0: White
- Other: Refer to Price Book for additional colors/finishes

## Specified Model

Model	Complete Unit Description	Colors/Finishes	
72110100	42" (98.1 cm) shower receptor and wall surround, tile wall	<input type="checkbox"/> 0	<input type="checkbox"/> Other _____
72210100	42" (98.1 cm) shower receptor and wall surround, curve wall	<input type="checkbox"/> 0	<input type="checkbox"/> Other _____

Model	Wall Component Description	Colors/Finishes	
72112100	Back wall, tile	<input type="checkbox"/> 0	<input type="checkbox"/> Other _____
72103110	Left end wall, tile	<input type="checkbox"/> 0	<input type="checkbox"/> Other _____
72103120	Right end wall, tile	<input type="checkbox"/> 0	<input type="checkbox"/> Other _____
72212100	Back wall, curve	<input type="checkbox"/> 0	<input type="checkbox"/> Other _____
72203110	Left end wall, curve	<input type="checkbox"/> 0	<input type="checkbox"/> Other _____
72203120	Right end wall, curve	<input type="checkbox"/> 0	<input type="checkbox"/> Other _____

Model	Age in Place Component Description	Colors/Finishes	
72210106	Complete unit with age in place backers	<input type="checkbox"/> 0	<input type="checkbox"/> Other _____
72111100	Receptor only	<input type="checkbox"/> 0	<input type="checkbox"/> Other _____
72212106	Back wall with backers	<input type="checkbox"/> 0	<input type="checkbox"/> Other _____
72205106	End wall set with backers	<input type="checkbox"/> 0	<input type="checkbox"/> Other _____
72110106	Complete unit with age in place backers	<input type="checkbox"/> 0	<input type="checkbox"/> Other _____
72112106	Back wall with backers	<input type="checkbox"/> 0	<input type="checkbox"/> Other _____
72105106	End wall set with backers	<input type="checkbox"/> 0	<input type="checkbox"/> Other _____

# ENSEMBLE™

## Technical Information

Model	door maximum width	door maximum height
72110100 72210100	38-5/8" (98.1 cm)	70-1/2" (179.1 cm)

## Installation Notes

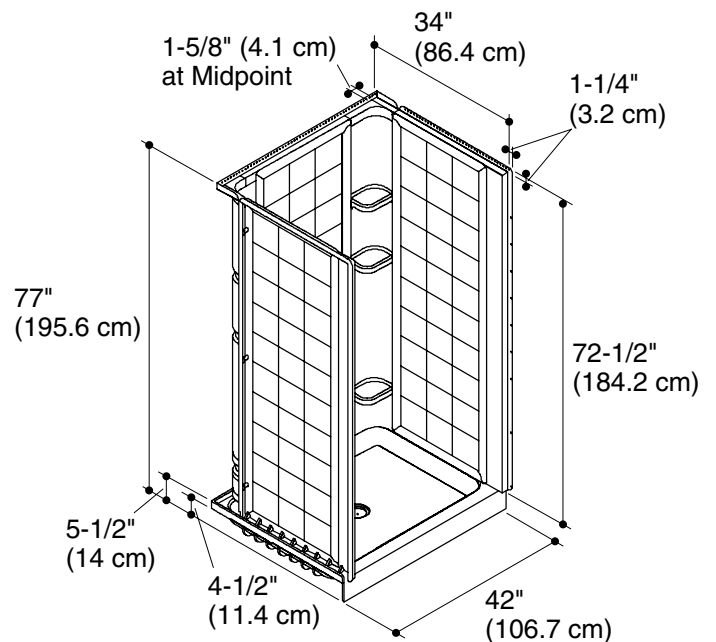
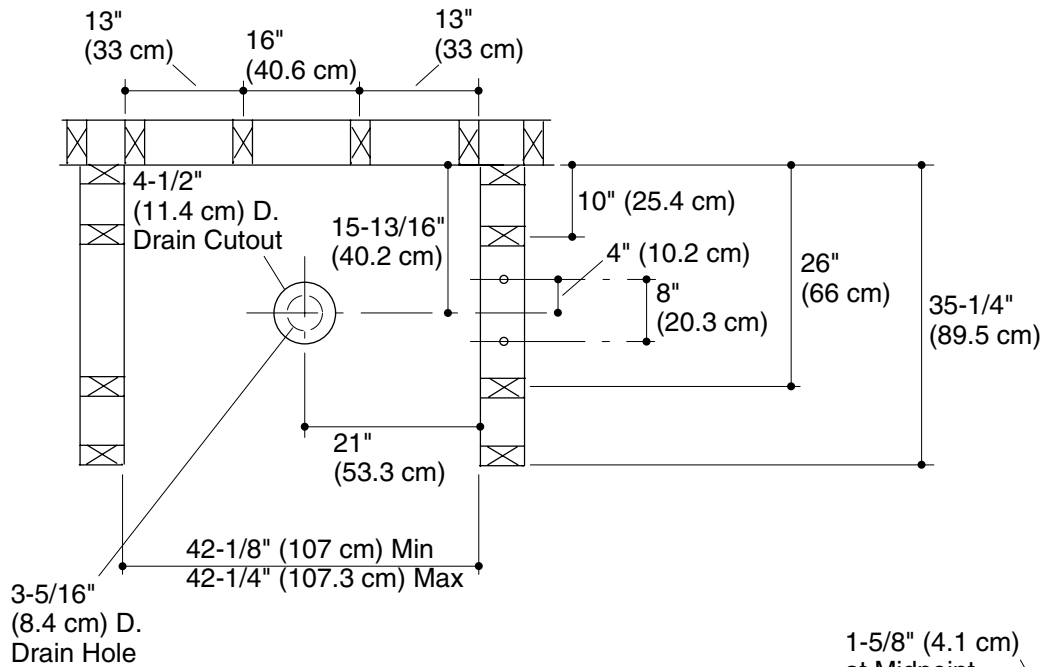
Install this product according to the installation guide.

Size the drain cutout to fit the drain assembly that will be used.

Double studding is recommended for pivot shower door installations.

Studs should be positioned roughly as shown.

Both tile and curve wall surrounds share the same dimensions.



## Product Diagram

ENSEMBLE™ 42" (106.7 cm) SHOWER RECEPTOR AND WALL SURROUND

Page 2 of 2  
1017263-4-G

**STERLING**  
A KOHLER COMPANY