

ASSEMBLY & INSTALLATION INSTRUCTIONS



Porcher Solutions™

Wall Mount, Pedestal and Above Counter Lavatories

Thank you for selecting our Porcher product. To ensure that your installation proceeds smoothly, read these instructions carefully before you begin. Also, review the recommended tools and materials section. Carefully unpack and examine your new plumbing fixture.

⚠ CAUTION: CHINA LAVATORIES MAY BE HEAVY AND ARE FRAGILE. USE EXTREME CARE WHEN HANDLING!
 NOTE: Pictures may not exactly define contour of china and components.

ALL INSTALLATION PROCEDURES MUST COMPLY IN STRICT ACCORDANCE WITH APPLICABLE LOCAL PLUMBING AND BUILDING CODES

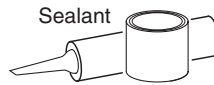
RECOMMENDED TOOLS AND MATERIALS



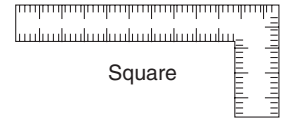
Level



Adjustable Wrench



Sealant



Square



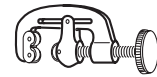
Channel Locks



Electric Drill



Tape Measure



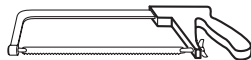
Tubing Cutter



Phillips Screwdriver



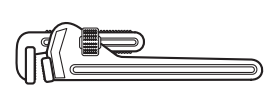
Regular Screwdriver



Hacksaw



Saber Saw



Pipe Wrench

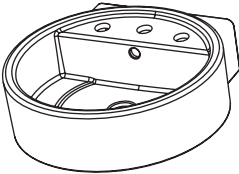
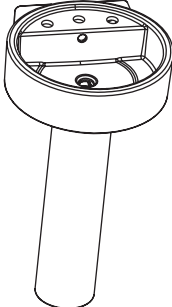
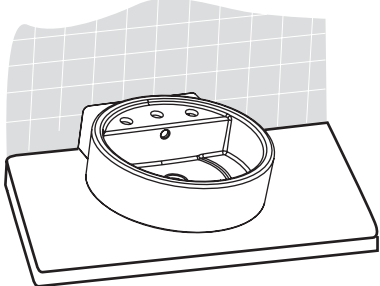
SAVE FOR FUTURE USE


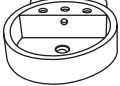
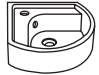
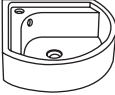
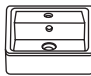
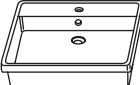
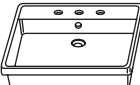


REPLACEMENT USE

When replacing an original unit be sure to shut off water supply *before* removing the unit or disconnecting water supply lines and drain fittings. Original supply lines and shutoff valves should be replaced and used with fittings and adapters to match the hookups on the replacement unit.

⚠ USE TEFLON SEALANT TAPE ON PIPE THREADS FOR WATERTIGHT CONNECTIONS!

Three different installations are possible with these lavatories; check options for each lavatory on the table

A. WALL-HUNG (optional furniture available on some models)	B. PEDESTAL	C. ABOVE COUNTER
		

Installations: WH=Wallhung; AC=Above Counter; ped=Pedestal		Installation Options	Kit #	Lav #	Ped #	Mounting Kit #
	Round Lavatory - Single Hole	WH or AC	---	20320-01	---	KIT 262: 7301531-100.0070A
	Round Lavatory - Three Holes	WH or AC	---	20320-03	---	KIT 262: 7301531-100.0070A
	Small Corner Lavatory	WH or AC	---	26010-00	---	KIT 262: 7301531-100.0070A Hanger x 1: 382430-117.0070A
	Corner Lavatory	WH or AC	---	26030-00	---	KIT 262: 7301531-100.0070A Hanger x 1: 382430-117.0070A
	Small Square Lavatory	WH or AC	---	26020-00	---	KIT 262: 7301531-100.0070A
	24" Lavatory - Single Hole	WH or AC	---	26060-01	---	KIT 262: 7301531-100.0070A
	24" Lavatory - Three Holes	WH or AC	---	26060-03	---	KIT 262: 7301531-100.0070A
	Rectangle Right Hand Lavatory	WH or AC	---	26070-00	---	Hanger x 2: 382430-117.0070A
	Rectangle Left Hand Lavatory	WH or AC	---	26040-00	---	Hanger x 2: 382430-117.0070A
Round Lavatory - Single Hole & Round Pedestal - KIT		PED	24320-01	20320-01	21320-00	KIT 262: 7301531-100.0070A
Round Lavatory - Three Holes & Round Pedestal - KIT		PED	24320-03	20320-03	21320-00	KIT 262: 7301531-100.0070A
Small Corner Lavatory & Round Pedestal - KIT		PED	24610-00	26010-00	21320-00	KIT 262: 7301531-100.0070A Hanger x 1: 382430-117.0070A
Corner Lavatory & Round Pedestal - KIT		PED	24630-00	26030-00	21320-00	KIT 262: 7301531-100.0070A Hanger x 1: 382430-117.0070A
Small Square Lavatory & Square Pedestal - KIT		PED	24620-00	26020-00	21970-00	KIT 262: 7301531-100.0070A
24" Lavatory - Single Hole & Square Pedestal - KIT		PED	24060-01	26060-01	21970-00	KIT 262: 7301531-100.0070A
24" Lavatory - Three Holes & Square Pedestal - KIT		PED	24060-03	26060-03	21970-00	KIT 262: 7301531-100.0070A

INSTALLATION INSTRUCTIONS FOR A. WALL HUNG and B. PEDESTAL INSTALLATIONS:

A1 WALL PREPARATION:

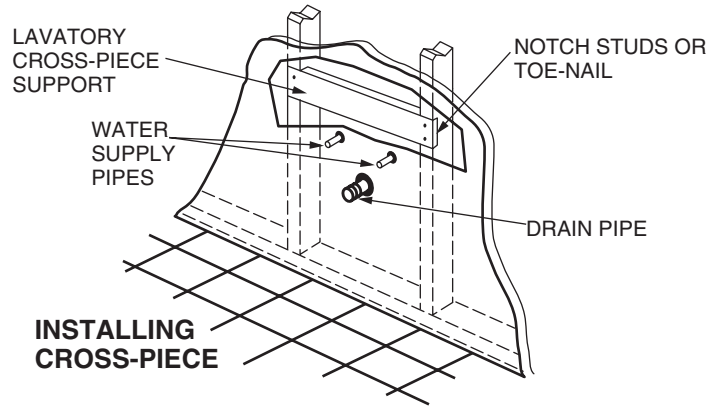
Typical installation includes wall preparation, installation of faucet and pop-up drain, supplies to house water system.

Lavatory Mounting Provisions - Whether the lavatory is used for replacement or new installation, the wall area behind the lavatory basin mounting holes must be reinforced to provide secure mounting for the new unit.

Preparing Wall for Lavatory Mounting

Optional: For non-masonry installation, crosspieces must be installed to reinforce the lavatory mounting surface to provide adequate support, install as described below.

1. Remove wallboard/covering from designated area.
2. Toenail 2" x 6" (51mm x 152mm) cross piece between studs (or notch studs to accept a 1" x 6" (25mm x 152mm) crosspiece, and attach securely). Place the lavatory into desired position and check height of mounting holes for dimensional location of horizontal crosspiece.
3. Replace wallboard/finished wall media.



A2 CAUTION: Lavatories are extremely heavy. For personal safety, always use extra person for installation.

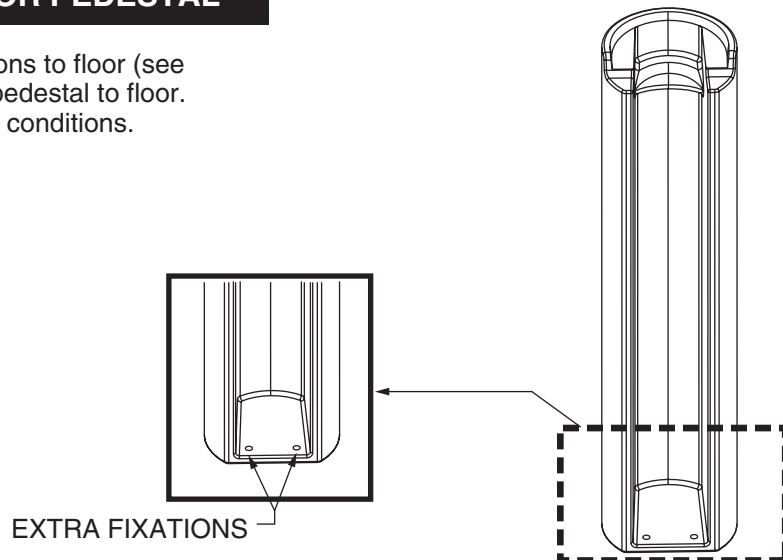
Using level, draw a vertical line on the wall starting at the waste return hole. Use the line as reference for placing the lavatory, and pedestal if pedestal installation, into position. Mark fixation locations through mounting holes on the back of lavatory. Remove lavatory and drill holes.

The mounting kit provided with lavatory includes two 3/8" headless wood screws, two washers and two nuts.

Important note: check and select best fixation method for your wall conditions. Screw anchor for masonry walls (not provided) or other kind of screws could be needed for installation on different walls.

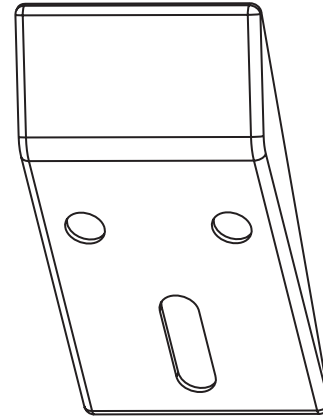
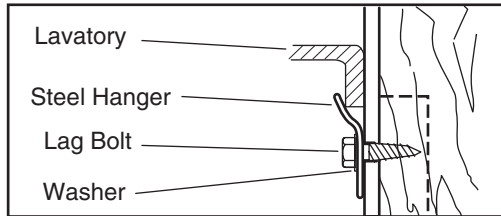
NOTE: OPTIONAL STEP FOR PEDESTAL

Pedestals have two additional fixations to floor (see illustration). It is optional to secure pedestal to floor. Select hardware depending on floor conditions.



NOTE: EXTRA STEP FOR LAVATORIES SUPPLIED WITH A STEEL HANGER

IMPORTANT: Final assembly of nut and washer or lag bolt method shown for reference only.



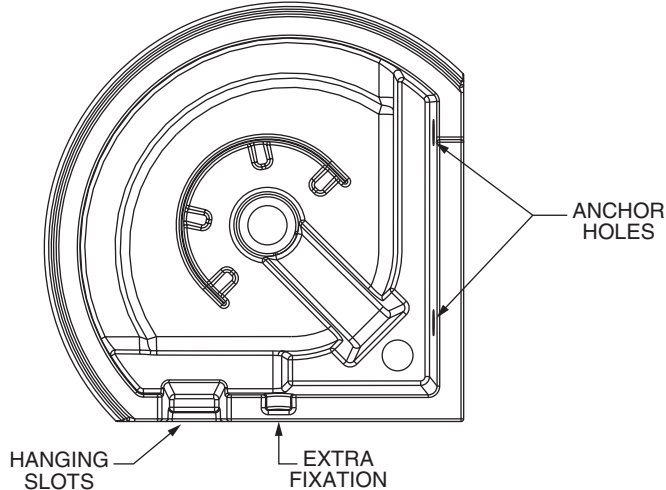
The CORNER lavatories 26010 and 26030 are supplied with a mounting kit and one steel hanger. Follow the wall hung installation instructions to use the kit with the two large anchor holes.

Fixation method for the steel hangers must be selected depending on wall conditions (wood screws, masonry anchors,...) and are not provided.

Mark the location of fixations of the hanger on the wall when positioned as shown in illustration. Drill holes on the wall and secure hanger as illustrated.

The extra fixation next to the hanging slot could be needed depending on wall conditions. You should use the extra fixation if corner is not perfectly right. Hardware for the extra fixation is not provided and must be selected depending on wall conditions.

BOTTOM VIEW OF CORNER LAVATORY



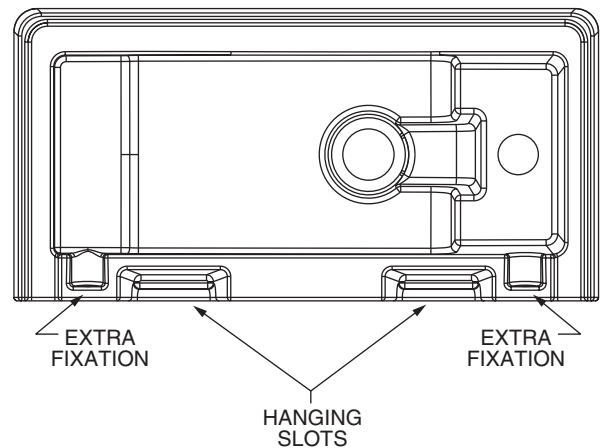
The RECTANGLE Lavatories 26040 and 26070 are supplied with two steel hangers.

Fixation method for the steel hangers must be selected depending on wall conditions (wood screws, masonry anchors,...) and are not provided.

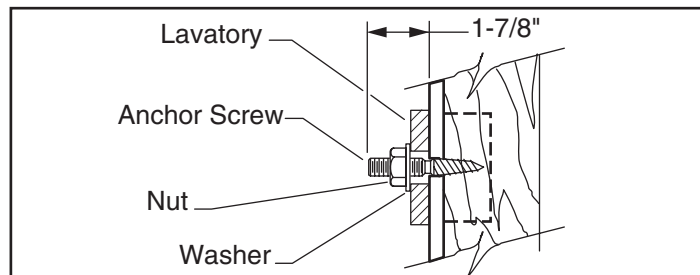
Mark the location of fixations of the hanger on the wall when positioned as shown in illustration. Drill holes on the wall and secure hanger as illustrated.

Two extra fixations next to hanging slots are needed to fix the RECTANGULAR lavatories to the wall. Fixation method for must be selected depending on wall conditions (wood screws, masonry anchors,...) and are not provided. Mark locations on the wall through anchor holes. Drill holes on the wall.

BOTTOM VIEW OF RECTANGLE LAVATORY

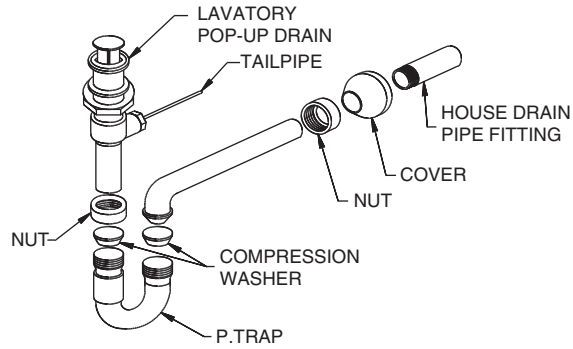


A3 Install lavatory anchor screws on the wall leaving 1-7/8" threaded end exposed as illustrated.



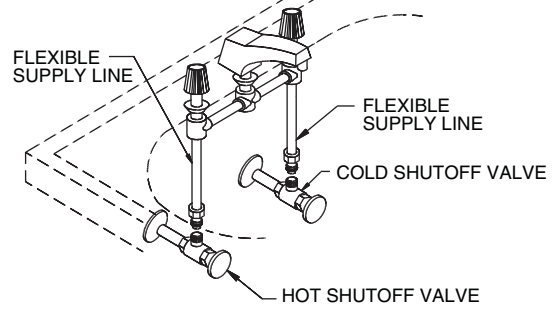
A4

Pre-assemble P-trap drain connections in accordance with manufacturer's instructions. Check that pop-up drain opens and closes properly when drain control is operated. Connect supply lines to shutoff valves and loosely install drain connections.



TYPICAL DRAIN CONNECTIONS

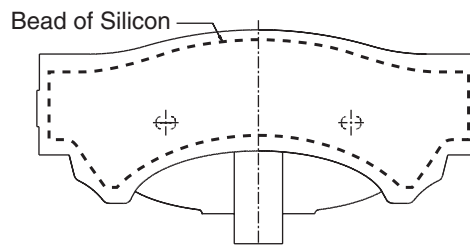
**SPREAD LAVATORY SET
TYPICAL APPLICATION**



TYPICAL WATER SUPPLY LINE CONNECTIONS

A5

Apply a bead of silicon to the back of the lavatory. See diagram.



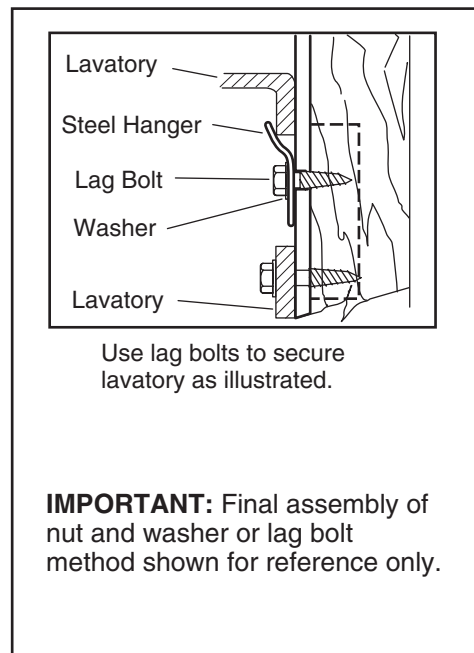
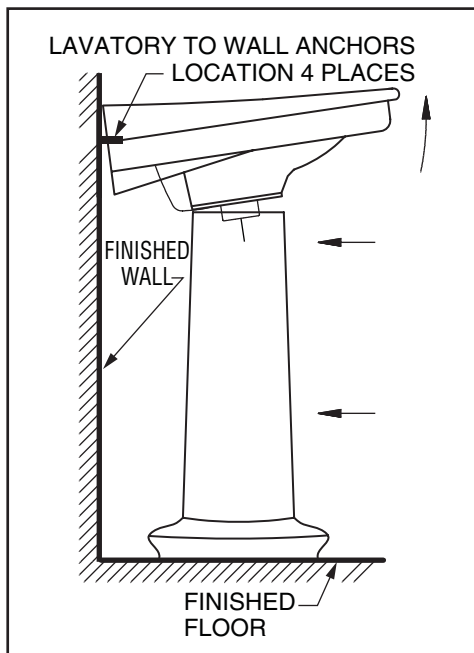
Geometry shown is for illustration only and may not match product geometry.

A6

Loosely attach the lavatory to the wall at the anchor locations. Optionally, place cushioned adhesive-backed or similar product on the top and bottom of the pedestal to avoid ceramic damage, floor damage and clattering between pedestal and lavatory.

DO NOT OVER-TIGHTEN MOUNTING HARDWARE OR LAVATORY MAY BE DAMAGED!

Pedestals Installation Note: Do not tighten nuts at this time, in order to allow the lavatory to swing up enough to permit the insertion of the pedestal. Insert the pedestal under the lavatory. Ensure that the lavatory sits evenly against pedestal. Level lavatory side to side and front to rear, (place cushioned adhesive [provided] under level to protect lavatory), then securely tighten mounting nuts. See Diagram Below.

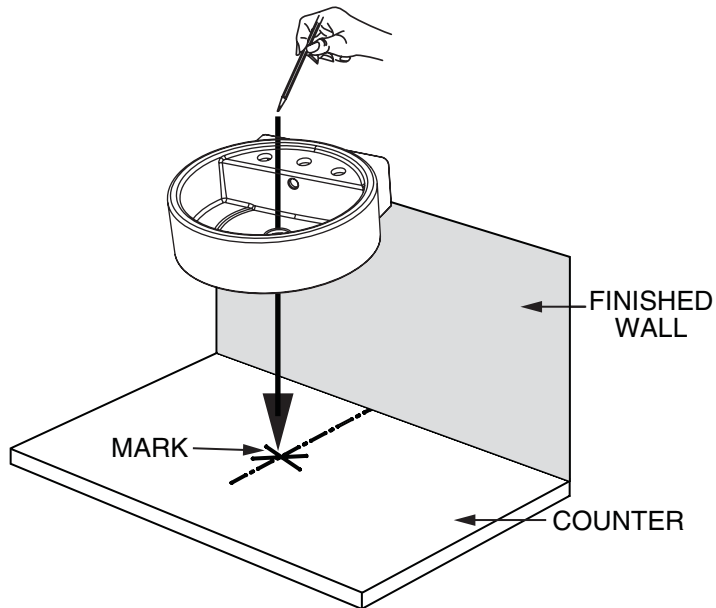


INSTRUCTIONS FOR C. ABOVE COUNTER INSTALLATIONS:

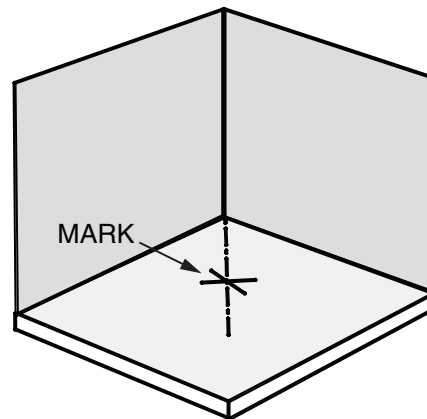
NOTE: BACK OF LAVATORIES ARE UNGLAZED. The Lavatories must be installed with back against the wall.

C1 INSTALLATION INSTRUCTIONS FOR ABOVE COUNTER INSTALLATIONS:

Position the lavatory in place on the counter with the back unglazed surface against the wall. Mark the center of the drain on the counter and draw a line from the mark to the wall (to the corner if installing a corner lavatory) as a guide for the installation.



FOR ROUND, SQUARE, AND RECTANGULAR LAVATORIES

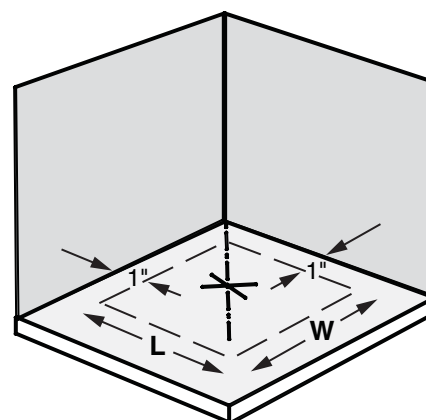
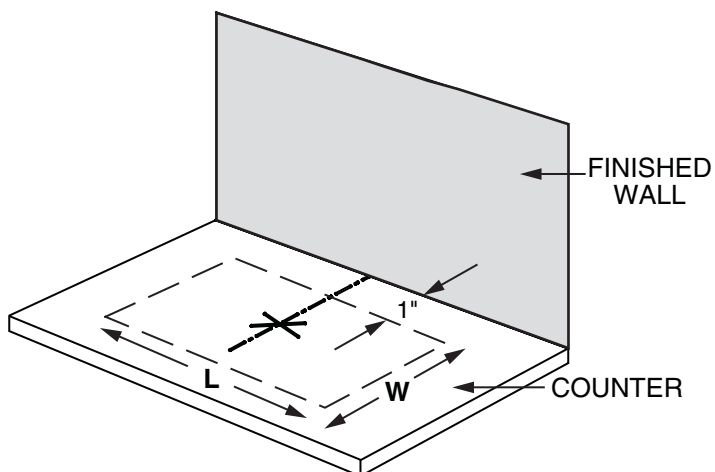


FOR CORNER LAVATORIES

C2 MARK COUNTER CUTOUT

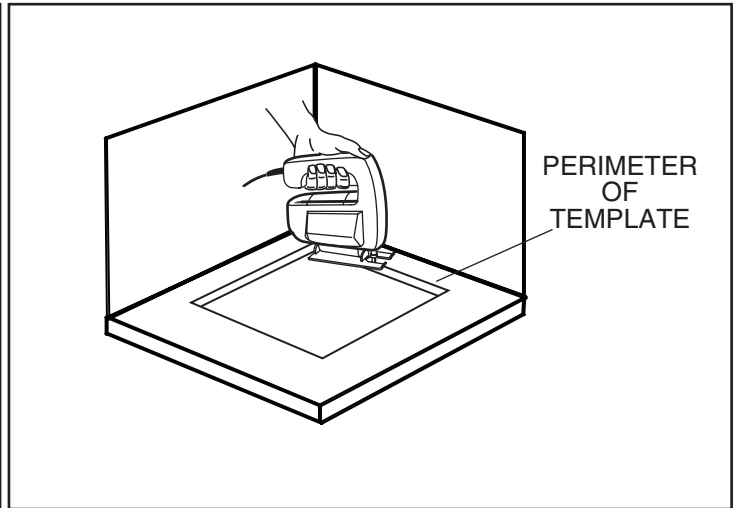
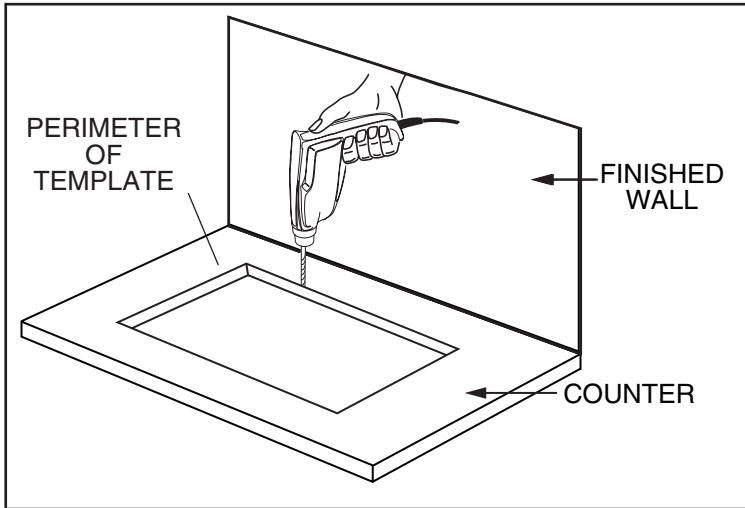
Mark perimeter of opening on counter 1" away from wall. Check table below for dimensions. Place lavatory in place and check that all perimeter is hidden under the lavatory. If visible, check again dimensions of the perimeter.

	Lavatory #	CUTOUT DIMENSIONS	
		L (side to side)	W (front to back)
Porcher Solutions Round Lavatory	20320	12" (300mm)	14" (350mm)
Porcher Solutions Small Corner Lavatory	26010	10" (250mm)	10" (250mm)
Porcher Solutions Corner Lavatory	26030	12" (300mm)	12" (300mm)
Porcher Solutions Small Square Lavatory	26020	11" (275mm)	11" (275mm)
Porcher Solutions 24" Lavatory	26060	20" (500mm)	14" (350mm)
Porcher Solutions Rectangle Right Hand/Left Hand Lavatory	26040/26070	13" (330mm)	5-3/4" (146mm)



C3

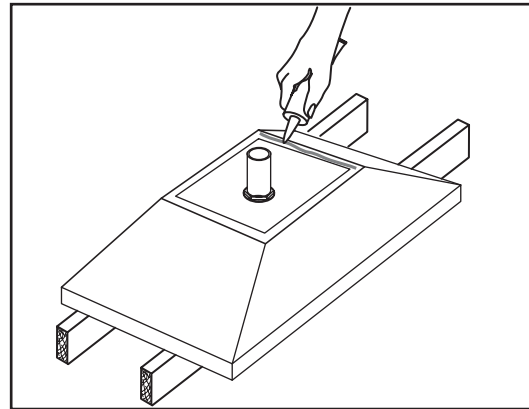
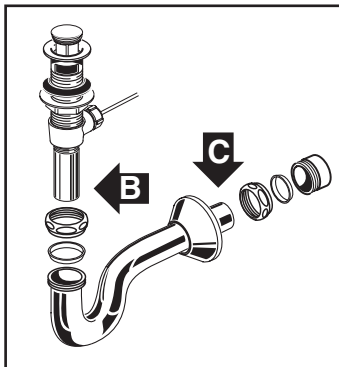
Drill a clearance hole inside the perimeter line. Cut opening around the perimeter of the template.

**C4**

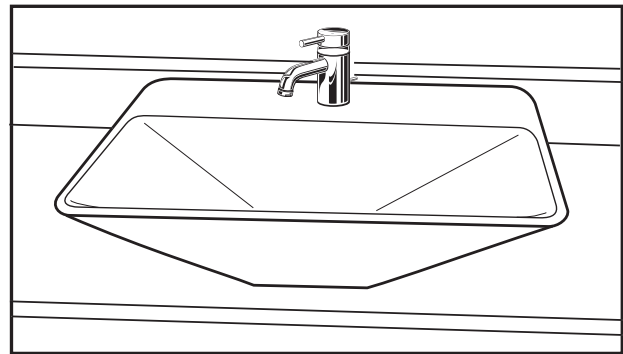
Mark and drill fixations of lavatory to wall. Follow steps of wall hung installation for preparing fixations of lavatory to wall/s.

C5

After checking fit and alignment, turn sink upside down and apply clear silicone adhesive around the under side of the rim near the edge. Place sink in position. Wipe off excess adhesive. Attach the lavatory to the wall at the anchor locations.

**C6**

Connect trap to drain assembly hand tight to check alignment. It may be necessary to cut off part of the tailpiece (area "B") or part of the horizontal leg of the trap (area "C"). Secure joints for watertight assembly.

C7

Seal gap between lavatory and wall with waterproof sealant.

CARE AND MAINTENANCE

Do not use harsh abrasives or caustic cleaners to clean fixture surfaces. A mild detergent, warm water, and a soft cloth will remove normal dirt and soap accumulations from fittings and surfaces. Rinse thoroughly after cleaning and polish with a soft dry cloth to restore original luster of material.

PORCHER ONE-YEAR LIMITED WARRANTY

If inspection of this Porcher plumbing product, within one year after its initial purchase, confirms that it is defective in materials or workmanship, Porcher will repair or, at its option, exchange the product for a similar model.

This warranty **does not apply** to local building code compliance. Since local building codes vary considerably, the purchaser of this product should check with a local building or plumbing contractor to insure local code compliance before installation.

This warranty **shall be void** if the product has been moved from its initial place of installation; if it has been subjected to faulty maintenance, abuse, misuse, accident or other damage; if it was not installed in accordance with Porcher's instructions; or if it has been modified in a manner inconsistent with the product as shipped by Porcher.

Porcher's option to repair or exchange the product under this warranty does not cover any labor or other costs of removal or installation, **nor shall Porcher be responsible for any other incidental or consequential damages attributable to a product defect or to the repair or exchange of a defective product, all of which are expressly excluded from this warranty.** (Some states or provinces do not allow the exclusion or limitation of implied warranties, so this exclusion may not apply to you.)

This warranty gives you specific legal rights. You may have other statutory rights that vary from state to state or from province to province, in which case this warranty does not affect such statutory rights.

For service under this warranty, it is suggested that a claim be made through the contractor or dealer from or through whom the product was purchased, or that a service request (including a description of the product model and of the defect) be sent to the following address:

In the United States:

Porcher
P.O. Box 6820
Piscataway, New Jersey, 08855
Attention: Director of Consumer Affairs

For residents of the United States, warranty information may also be obtained by calling the following toll free number: (800) 359-3261

In Canada:

Porcher
5900 Avebury Rd.
Mississauga, Ontario
Canada L5R 3M3

Toronto Area: (905) 306-1093
Toll Free: (800) 387-0369

In Mexico:

Porcher
Planta Santa Clara
Via Morelos #330
Santa Clara Coatitla
Ecatepec de Morelos 55540,
Estado de Mexico, Mexico