

### LUTEZIA CONSOLE STAND KIT, MODEL 24548

- Available in Chrome (002), Polished Nickel (008), or Brushed Nickel (295) frame finishes
- Functional side towel bars supported to wall
- Adjustable period styled levelings
- Chinaware made in Italy in White (001) or Biscuit (071) colors
- Coordinates with Porcher's Reprise™ faucets and accessories
- Recessed rear overflow
- Optional European Complete Pop-up drain assembly #M953460 with available finishes (see Price Book)



#### Kit Components:

04268 27" Lutezia Lavatory – 8" CTC

N21410 Console unit only

#### Nominal Dimensions:

27-1/2" (699mm) wide  
21-3/4" (552mm) front-to-back  
36" (914mm) rim height

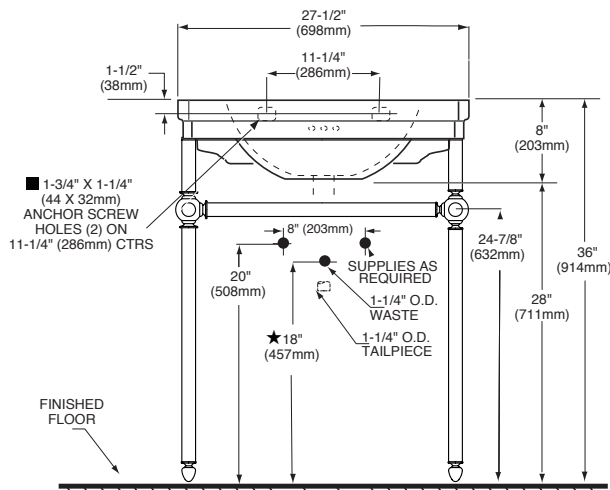
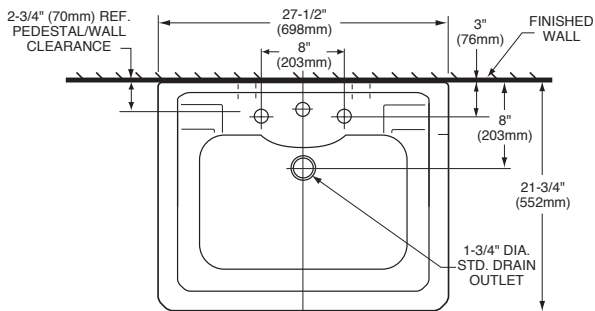
#### Bowl Inside Dimensions:

19-3/4" (502mm) wide  
12-3/4" (324mm) front-to-back  
7" (178mm) deep

Fixture Dimensions conform to ANSI Standard  
A112.19.2M

#### To Be Specified

- Faucet:
- Faucet Finish:
- Supplies:
- 1-1/4" Trap:
- Nipple:



#### NOTES:

- ★ DIMENSIONS SHOWN FOR LOCATION OF SUPPLIES AND "P" TRAP ARE SUGGESTED.
- FOR REINFORCEMENT ONLY. TAKE ACTUAL DIMENSIONS FROM FIXTURE.
- PROVIDE SUITABLE REINFORCEMENT FOR ALL WALL SUPPORTS.
- FITTINGS NOT INCLUDED AND MUST BE ORDERED SEPARATELY.
- INSTALLATION INSTRUCTIONS SUPPLIED WITH LAVATORY.

IMPORTANT: Dimensions of fixtures are nominal and may vary within the range of tolerances established by ANSI Standard A112.19.2M. These measurements are subject to change or cancellation. No responsibility is assumed for use of superseded or voided pages.