

ASSEMBLY & INSTALLATION INSTRUCTIONS



LUTEZIA / SAPHO / ARCHIVE / L'EXPRESSION PEDESTAL LAVATORIES

SAPHO WALL HUNG LAVATORY

- LUTEZIA 24" with pedestal KIT #24020
- LUTEZIA 28" with pedestal KIT #24010
- SAPHO with pedestal KIT #24000
- SAPHO wall hung without pedestal KIT #20000
- ARCHIVE with pedestal KIT #24030
- L'EXPRESSION with pedestal KIT # 24040

Thank you for selecting our Porcher product. To ensure that your installation proceeds smoothly, read these instructions carefully before you begin. Also, review the recommended tools and materials section. Carefully unpack and examine your new plumbing fixture.

⚠ CAUTION: CHINA LAVATORIES MAY BE HEAVY AND ARE FRAGILE. USE EXTREME CARE WHEN HANDLING!
NOTE: Pictures may not exactly define contour of china and components.

ALL INSTALLATION PROCEDURES MUST COMPLY IN STRICT ACCORDANCE WITH APPLICABLE LOCAL PLUMBING AND BUILDING CODES

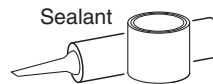
RECOMMENDED TOOLS AND MATERIALS



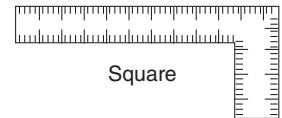
Level



Adjustable Wrench



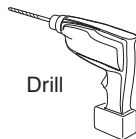
Sealant



Square



Channel Locks



Drill



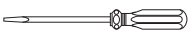
Tape Measure



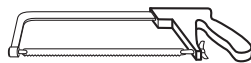
Tubing Cutter



Phillips Screwdriver



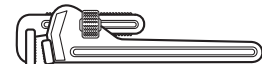
Regular Screwdriver



Hacksaw



Saber Saw



Pipe Wrench

REPLACEMENT USE

When replacing an original unit be sure to shut off water supply *before* removing the unit or disconnecting water supply lines and drain fittings. Original supply lines and shutoff valves should be replaced and used with fittings and adapters to match the hookups on the replacement unit.

⚠ USE TEFLON SEALANT TAPE ON PIPE THREADS FOR WATERTIGHT CONNECTIONS!

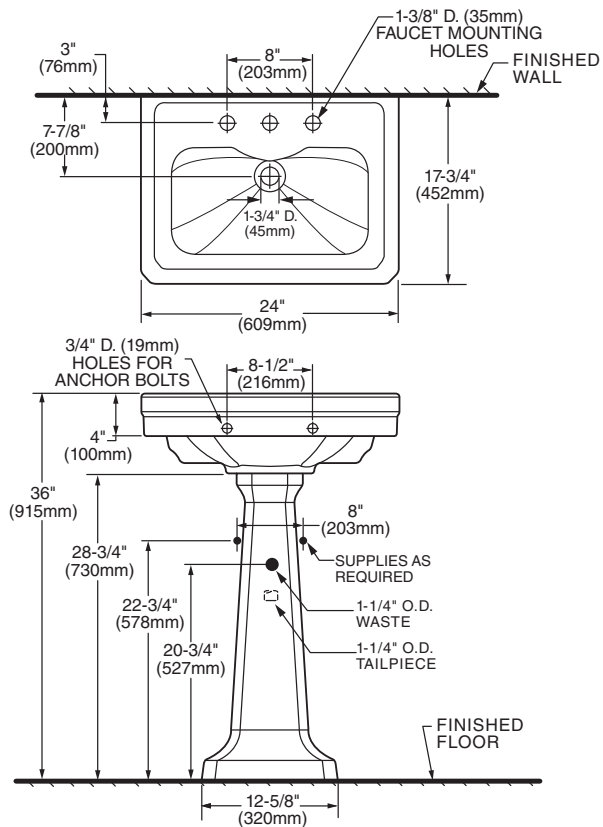
SAVE FOR FUTURE USE

	KIT	Lutezia Single Hole 24" Lav. 20020-01.XXX	Lutezia Three Hole 24" Lav. 20020-03.XXX	Lutezia Single Hole 28" Lav. 20010-01.XXX	Lutezia Three Hole 28" Lav. 20010-03.XXX	Lutezia Pedestal 21010-00.XXX	Sapho Single Hole Lav. 20000-01.XXX	Sapho Three Hole Lav. 20000-03.XXX	Sapho Pedestal 21000-00.XXX	Sapho Towel Bar (Chrome) 84000-00.100	Mounting Kit# 262 (supplied with all lavs) 7301531-100.0070A	L'Expression Single Hole Lav. 20040-01.XXX	L'Expression Three Hole Lav. 20040-03.XXX	L'Expression Towel Bar (Chrome) 84040-00.100	Archive Single Hole Lav. 20030-01.XXX	Archive Three Hole Lav. 20030-03.XXX	Archive PEDESTAL 21030-00.XXX
Porcher Single Hole Lutezia 24" Lavatory with Pedestal	24020-01.XXX	X				X					X						
Porcher Three Hole Lutezia 24" Lavatory with Pedestal	24020-03.XXX		X			X					X						
Porcher Single Hole Lutezia 28" Lavatory with Pedestal	24010-01.XXX			X		X					X						
Porcher Three Hole Lutezia 28" Lavatory with Pedestal	24010-03.XXX				X	X					X						
Porcher Single Hole Sapho Lavatory with Pedestal	24000-01.XXX						X		X	Optional	X						
Porcher Three Hole Sapho Lavatory with Pedestal	24000-03.XXX							X	X	Optional	X						
L'Expression Single Hole Lavatory with Pedestal	24040-01.XXX										X	X		Optional			
L'Expression Three Hole Lavatory with Pedestal	24040-03.XXX										X		X	Optional			
Archive Single Hole Lavatory with Pedestal	24030-01.XXX										X				X		X
Archive Three Hole Lavatory with Pedestal	24030-03.XXX										X					X	X

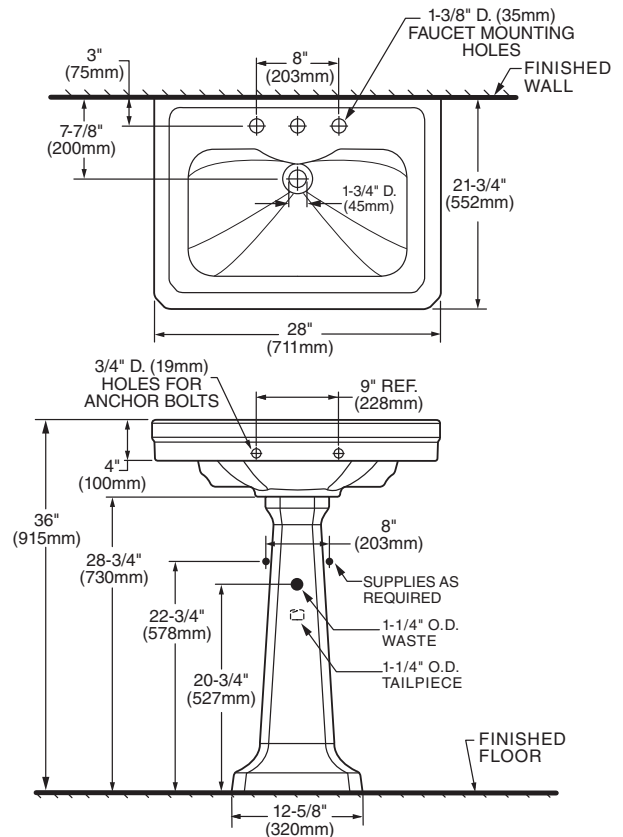
ROUGH-IN DIMENSIONS

Dimensioning diagrams are provided for each console. Note: dimensions are nominal and may vary within the range of manufacturing tolerances.

LUTEZIA 24" with pedestal KIT #24020

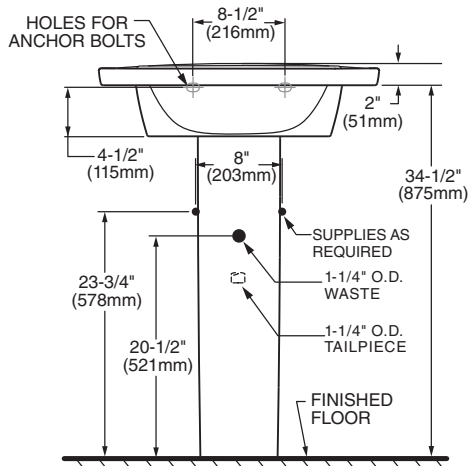
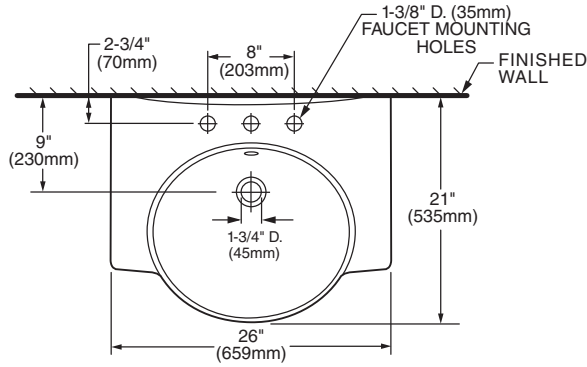


LUTEZIA 28" with pedestal KIT #24010

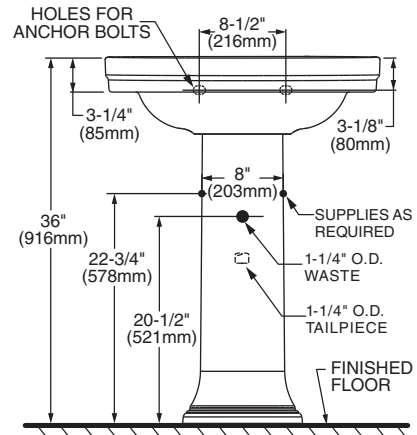
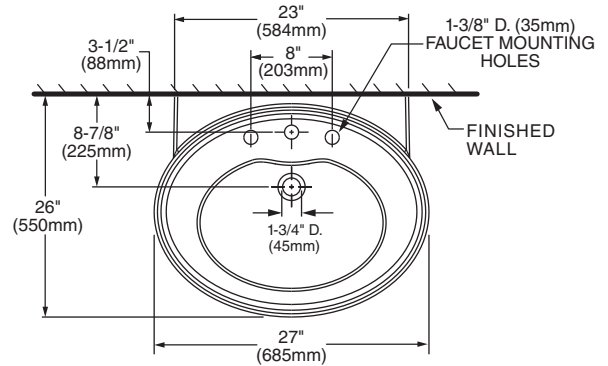


SAPHO with PEDESTAL KIT #24000

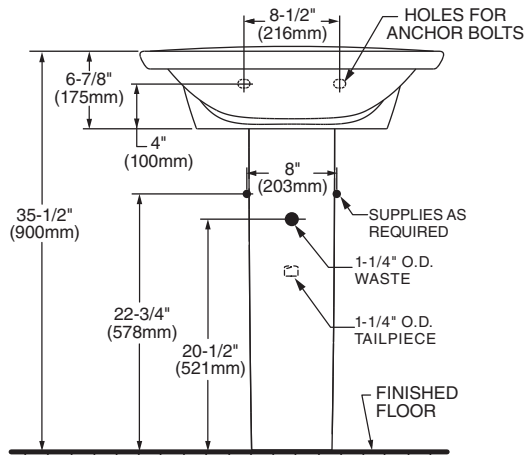
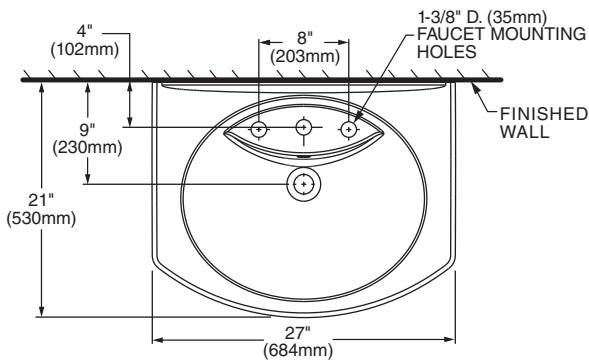
Sapho Lav (part #20000) can be installed without pedestal



ARCHIVE with PEDESTAL KIT #24030



L'EXPRESSION with PEDESTAL KIT #24040



1 INSTALLATION PROCEDURES

Typical installation includes wall preparation, installation of faucet and pop-up drain, supplies to house water system.

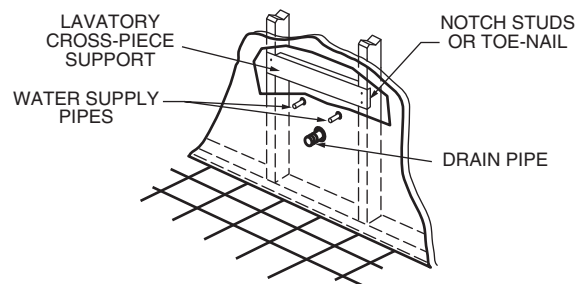
Lavatory Mounting Provisions - Whether the lavatory is used for replacement or new installation, the wall area behind the lavatory basin mounting holes must be reinforced to provide secure mounting for the new unit.

Preparing Wall for Lavatory Mounting

Optional: For non-masonry installation, crosspieces must be installed to reinforce the lavatory mounting surface to provide adequate support, install as described below.

1. Remove wallboard/covering from designated area.
2. Toenail 2" x 6" (51 mm x 152mm) cross piece between studs (or notch studs to accept a 1" x 6" (25mm x 152mm) crosspiece, and attach securely). Determine horizontal center line location of support from fixture.
3. Replace wallboard/finished wall media.

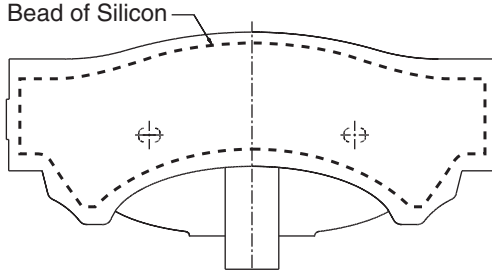
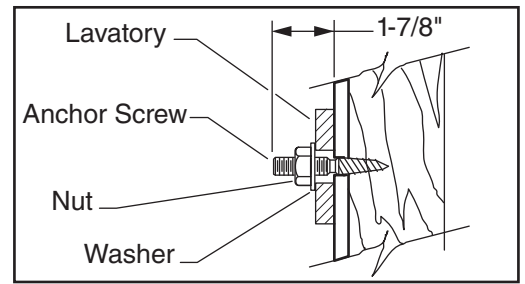
INSTALLING CROSS-PIECE:



2 INSTALLING LAVATORY

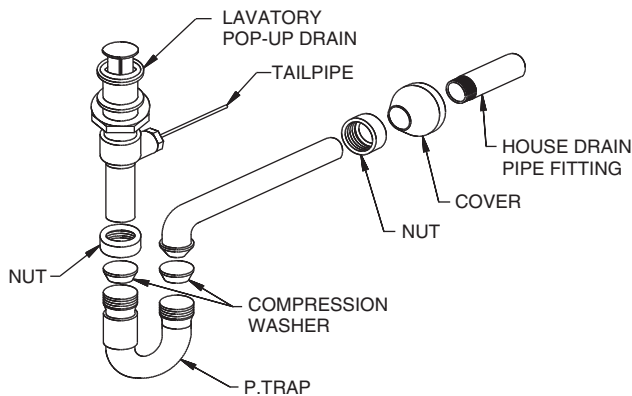
CAUTION: Lavatories are extremely heavy. For personal safety, always use extra person for installation.

- Using level, draw a vertical line starting at the waste water return hole. Draw a horizontal line at the required dimension from floor. Check the dimension placing the lavatory and legs into position. Mark and drill holes through the mounting holes along the horizontal line. Install lavatory anchor screws leaving 1-7/8" threaded end exposed as illustrated.
- Apply a bead of silicon to the back of the lavatory. See Diagram.



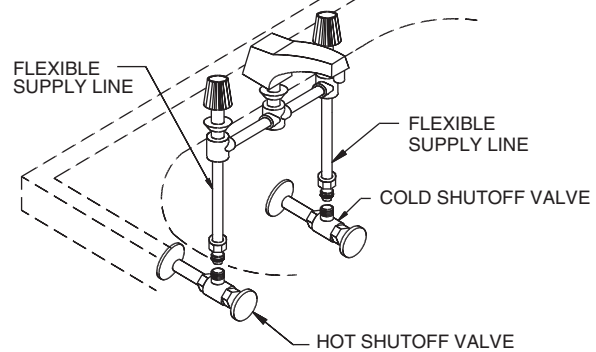
Geometry shown is for illustration only and may not match product geometry.

- Pre-assemble P-trap drain connections in accordance with manufacturer's instructions. Check that pop-up drain opens and closes properly when drain control is operated. Connect supply lines to shutoff valves and loosely install drain connections.



TYPICAL DRAIN CONNECTIONS

SPREAD LAVATORY SET TYPICAL APPLICATION



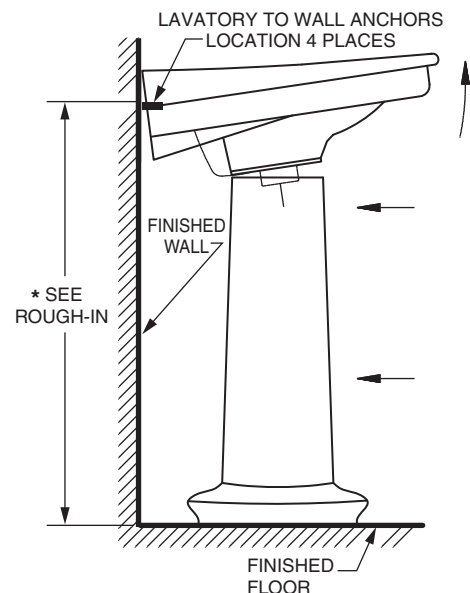
TYPICAL WATER SUPPLY LINE CONNECTIONS

- Loosely attach the lavatory to the wall at the anchor locations. Optionally, place the cushioned adhesive-backed or similar product on the top and bottom of the pedestal to avoid ceramic damage, floor damage and clattering between pedestal and lavatory, and to level lavatory slab to pedestal.

DO NOT OVER-TIGHTEN MOUNTING HARDWARE OR LAVATORY MAY BE DAMAGED!

Lavatories Installation Note: Do not tighten nuts at this time, in order to allow the lavatory to swing up enough to permit the insertion of the legs. Insert the legs under the lavatory. Ensure that the lavatory sits evenly against legs. Level lavatory side to side and front to rear, (place a sheet of tissue under level to protect lavatory), then securely tighten mounting nuts. See Diagram.

- Install faucet and drain in accordance with manufacturer's instructions. Tighten drain and water supply connections. Turn on water supply valves and water-test installation.



CARE AND MAINTENANCE

Do not use harsh abrasives or caustic cleaners to clean fixture surfaces. A mild detergent, warm water, and a soft cloth will remove normal dirt and soap accumulations from fittings and surfaces. Rinse thoroughly after cleaning and polish with a soft dry cloth to restore original luster of material.

PORCHER ONE-YEAR LIMITED WARRANTY

If inspection of this Porcher plumbing product, within one year after its initial purchase, confirms that it is defective in materials or workmanship, Porcher will repair or, at its option, exchange the product for a similar model.

This warranty **does not apply** to local building code compliance. Since local building codes vary considerably, the purchaser of this product should check with a local building or plumbing contractor to insure local code compliance before installation.

This warranty **shall be void** if the product has been moved from its initial place of installation; if it has been subjected to faulty maintenance, abuse, misuse, accident or other damage; if it was not installed in accordance with Porcher's instructions; or if it has been modified in a manner inconsistent with the product as shipped by Porcher.

Porcher's option to repair or exchange the product under this warranty does not cover any labor or other costs of removal or installation, **nor shall Porcher be responsible for any other incidental or consequential damages attributable to a product defect or to the repair or exchange of a defective product, all of which are expressly excluded from this warranty.** (Some states or provinces do not allow the exclusion or limitation of implied warranties, so this exclusion may not apply to you.)

This warranty gives you specific legal rights. You may have other statutory rights that vary from state to state or from province to province, in which case this warranty does not affect such statutory rights.

For service under this warranty, it is suggested that a claim be made through the contractor or dealer from or through whom the product was purchased, or that a service request (including a description of the product model and of the defect) be sent to the following address:

In the United States:

Porcher
P.O. Box 6820
Piscataway, New Jersey, 08855
Attention: Director of Consumer Affairs

For residents of the United States, warranty information may also be obtained by calling the following toll free number: (800) 359-3261

www.porcher-us.com

In Canada:

Porcher
5900 Avebury Road
Mississauga, Ontario
Canada L5R 3M3

Toll Free: (800) 387-0369

www.porcher.ca

In Mexico:

Porcher
Planta Santa Clara
Via Morelos #330
Santa Clara Coatitla
Ecatepec de Morelos 55540,
Estado de Mexico, Mexico