



Buy it for looks. Buy it for life.®

FAUCET DESCRIPTION

- Metal construction with a chrome plated, LifeShine® polished brass or glacier finish
- 1/2" CC connections
- Includes showerhead, arm and flange

OPERATION

- Pull-on/push-off design
- Lever style handle with optional interchangeable insert
- Allows control of both temperature selection and volume with a single handle

FLOW

- Showerhead limited to 2.5 gpm (9.5 L/min)

CARTRIDGE

- 1225 cartridge design
- Nonmetallic/nonferrous and stainless steel materials
- Accommodates back to back installations

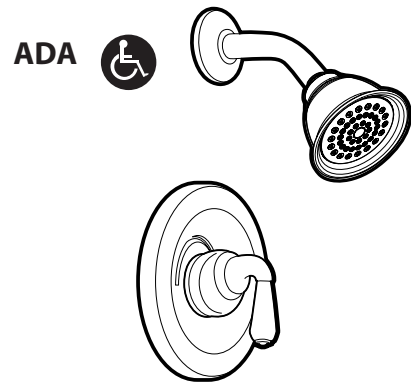
STANDARDS

- Third party certified by CSA to meet CSA B-125, ASME A112.18.1M and all applicable requirements referenced therein and complies with the applicable requirements of ANSI A117.1

WARRANTY

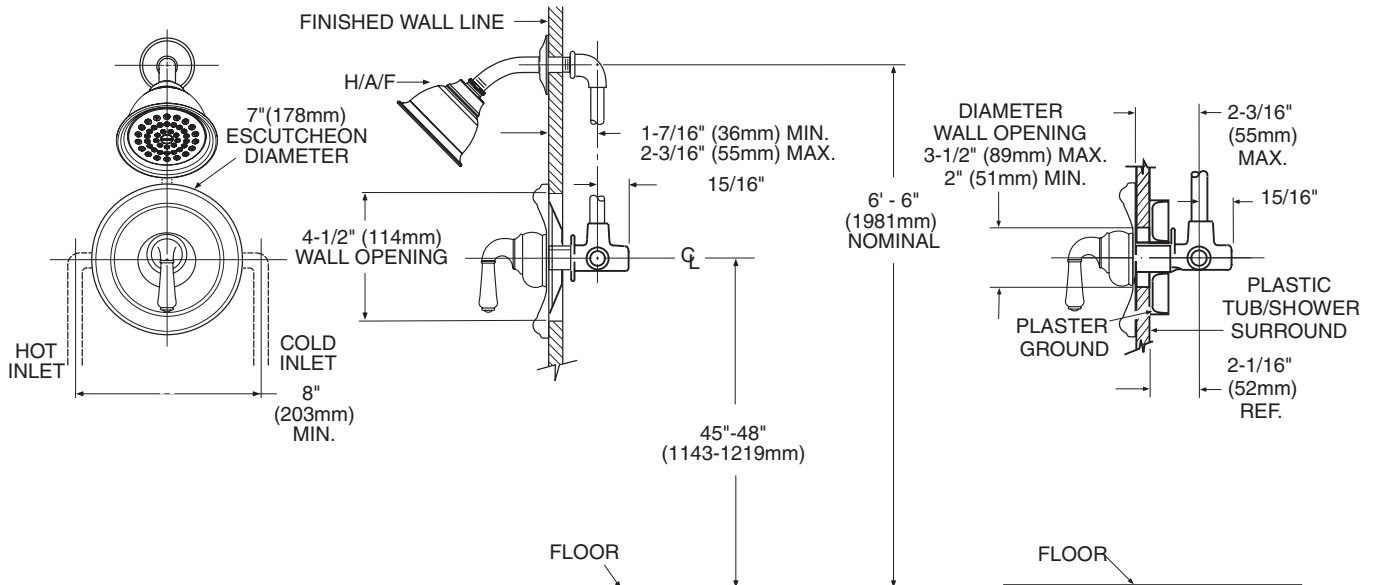
- Lifetime limited warranty against leaks, drips and finish defects to the original consumer purchaser
- 5 year warranty if used in commercial installations

Specifications



**MONTICELLO®
Single-Handle Shower Trim Only**

Models: T2524, T2524CP, T2524P, T2524W
(Packed 1 per carton)



THICK WALL APPLICATION

THIN WALL APPLICATION

CRITICAL DIMENSIONS

(DO NOT SCALE)