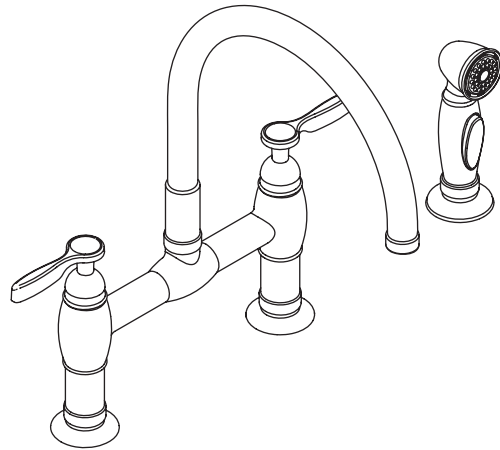


Features

- Metal construction
- Two quarter-turn washerless ceramic disc valves
- 360° swing spout
- For 8" (20.3 cm) centers
- 2.2 gallons (8.3 L) per minute maximum flow rate
- Lower flow aerator options are available (refer to the Kohler Price Book)
- Flexible connections for easy installation
- Available with or without handspray
- ADA compliant handles
- 9" (22.9 cm) spout reach
- Traditional styling

**KITCHEN SINK FAUCET
K-6130
ALSO K-6131**

ADA



Codes/Standards Applicable

Specified model meets or exceeds the following:

- ADA
- IAPMO/cUPC
- ASME A112.18.1/CSA B125.1
- ASSE 1014
- NSF 61
- Energy Policy Act of 1992

Colors/Finishes

- CP: Polished Chrome
- Other: Refer to Price Book for additional colors/finishes

Specified Model

Model	Description	Colors/Finishes	
		<input type="checkbox"/> CP	<input type="checkbox"/> Other ____
K-6130-3	Kitchen sink faucet without sidespray – tri handles	<input type="checkbox"/> CP	<input type="checkbox"/> Other ____
K-6130-4	Kitchen sink faucet without sidespray – lever handles	<input type="checkbox"/> CP	<input type="checkbox"/> Other ____
K-6131-3	Kitchen sink faucet with matching finish sidespray – tri handles	<input type="checkbox"/> CP	<input type="checkbox"/> Other ____
K-6131-4	Kitchen sink faucet with matching finish sidespray – lever handles (shown)	<input type="checkbox"/> CP	<input type="checkbox"/> Other ____

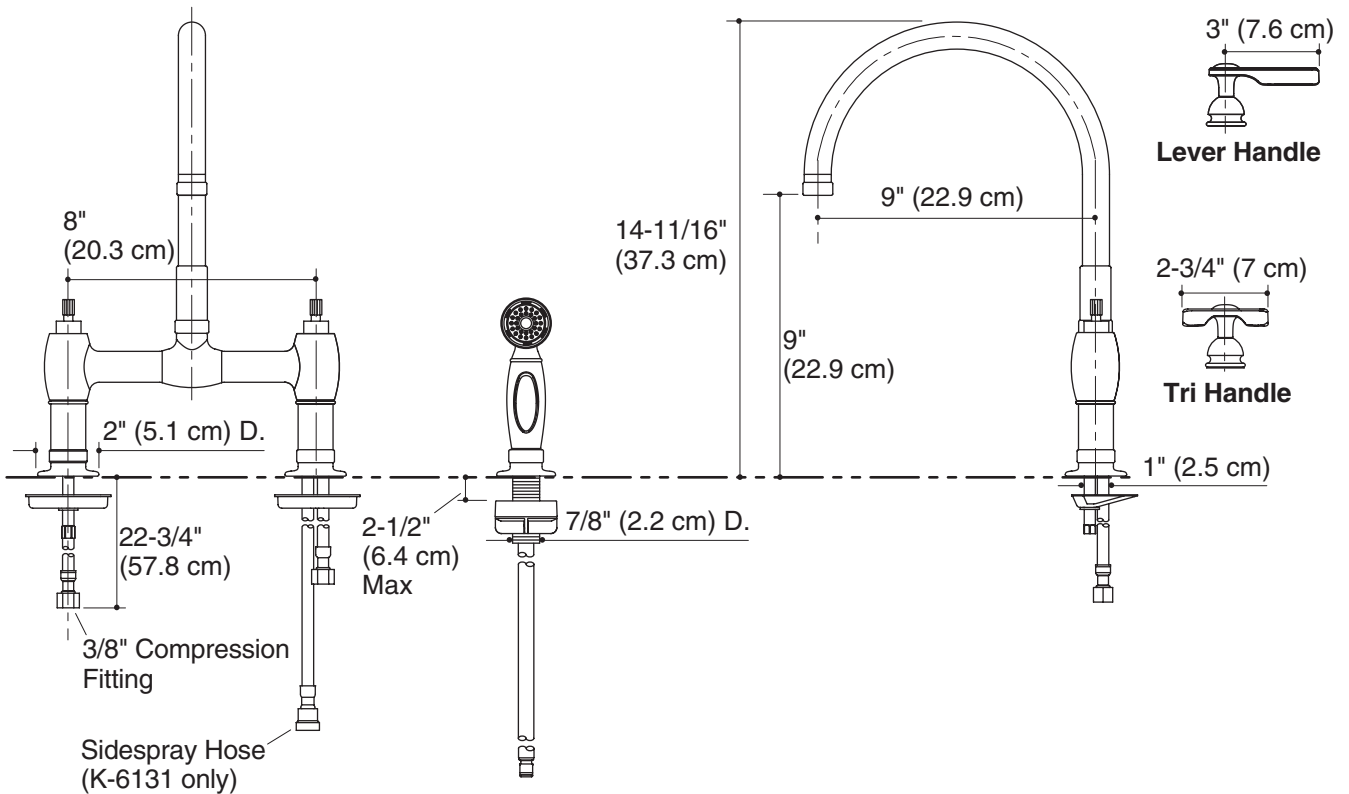
Product Specification

The two-handle kitchen sink faucet with traditional styling shall be constructed of metal. Faucet shall be available with or without a matching sidespray. Faucet shall feature two quarter-turn washerless ceramic disc valves. Faucet shall feature a 9" (22.9 cm) spout reach, 360° swing spout, and ADA compliant handles. Faucet shall be for 8" (20.3 cm) centers. Faucet shall feature flexible connections for easy installation. Faucet shall have a maximum flow rate of 2.2 gallons (8.3 L) per minute with lower flow aerator options available (refer to the Kohler Price Book). Faucet shall be Kohler Model K-____-____-____.

PARQ™

Installation Notes

Install this product according to the installation guide.



Product Diagram