

# KOHLER® Roughing-In

**K-6494**  
**FÊTE™**  
**BAR SINK**

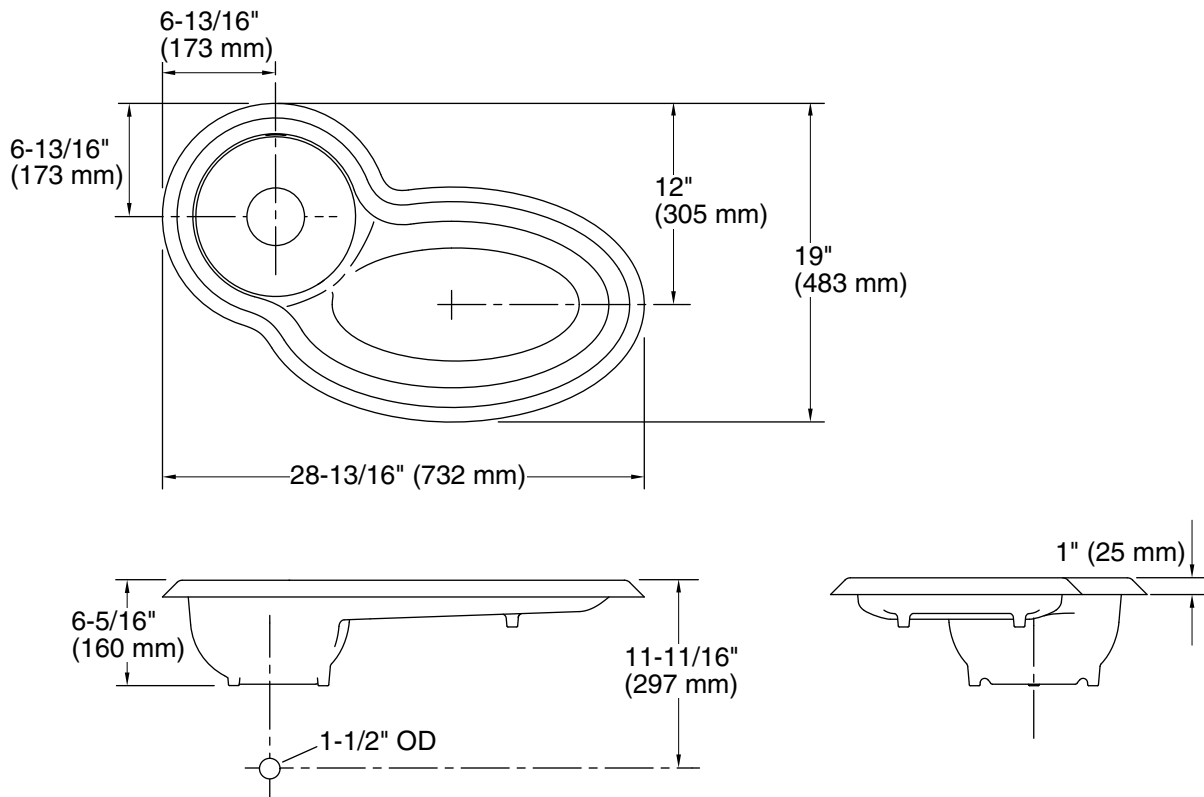
## Product Information

Applicable product:	
Bar sink	K-6494
Fixture*:	
Bowl area	9-7/8" (251 mm) x 9-7/8" (251 mm)
Wet work surface	17-1/16" (433 mm) x 10-7/16" (265 mm)
Water depth	5-5/8" (143 mm)
Drain hole	Ø 3-5/8" (92 mm)
* Approximate measurements for comparison only.	
Included components:	
Cut-out template	1067875-7

## Installation Notes

Install this product according to the installation guide.

Fixture conforms to ASME Standard A112.19.1/CSA B45.2. All dimensions are nominal.



FÊTE™ BAR SINK  
1067820-1-C

**KOHLER®**