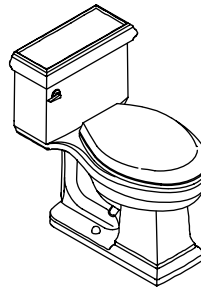


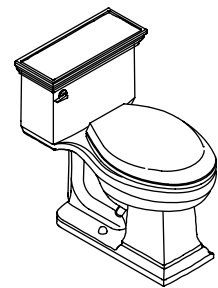
Features

- Vitreous china
- Elongated bowl
- Class Five® flushing system
- One-piece
- Includes seat and cover
- Less supply
- 1.28 gpf (4.8 lpf)
- 12" (30.5 cm) rough-in
- 2-1/8" (5.4 cm) glazed trapway
- 11" (27.9 cm) x 8-3/4" (22.2 cm) water area
- 28-1/8" (71.4 cm) x 17-3/4" (45.1 cm) x 28-5/8" (72.7 cm) [K-3812]
- 28-1/8" (71.4 cm) x 18-1/4" (46.4 cm) x 28-1/2" (72.4 cm) [K-3813]

COMFORT HEIGHT® TOILET K-3812 ALSO K-3813



K-3812



K-3813

Codes/Standards Applicable

Specified model meets or exceeds the following:

- ADA
- ASME A112.19.2/CSA B45.1
- ICC/ANSI A117.1
- EPA WaterSense®

Colors/Finishes

- 0: White
- Other: Refer to Price Book for additional colors/finishes

Accessories

- 0: White
- CP: Polished Chrome
- PB: Vibrant® Polished Brass
- Other: Refer to Price Book for additional colors/finishes

Specified Model

Model	Description	Trip Lever	Colors/Finishes	
K-3812	Comfort Height toilet – Classic design	left-hand	<input type="checkbox"/> 0	<input type="checkbox"/> Other_____
K-3812-RA	Comfort Height toilet – Classic design	right-hand	<input type="checkbox"/> 0	<input type="checkbox"/> Other_____
K-3813	Comfort Height toilet – Stately design	left-hand	<input type="checkbox"/> 0	<input type="checkbox"/> Other_____
K-3813-RA	Comfort Height toilet – Stately design	right-hand	<input type="checkbox"/> 0	<input type="checkbox"/> Other_____

Product Specification

The elongated one-piece toilet shall be made of vitreous china. Toilet shall be 28-1/8" (71.4 cm) in length, 17-3/4" (45.1 cm) in width, and 28-5/8" (72.7 cm) in height [K-3812] or 28-1/8" (71.4 cm) in length, 18-1/4" (46.4 cm) in width, and 28-1/2" (72.4 cm) in height [K-3813]. Toilet shall have a 11" (27.9 cm) x 8-3/4" (22.2 cm) water area. Toilet shall be 1.28 gpf (4.8 lpf) with Class Five® flushing system. Toilet shall be 12" (30.5 cm) rough-in, 2-1/8" (5.4 cm) glazed trapway, and less supply. Toilet shall include seat and cover. Toilet shall be Kohler Model K-_____.

MEMOIRS®

Recommended Accessories

K-7637	Angle supply with stop – 3/8" NPT	<input type="checkbox"/> CP	<input type="checkbox"/> PB	<input type="checkbox"/> Other_____
--------	-----------------------------------	-----------------------------	-----------------------------	-------------------------------------

Optional Accessories

K-4650	Lustra™ elongated open-front toilet seat – for ADA compliance	<input type="checkbox"/> 0		<input type="checkbox"/> Other_____
K-9168	Trip lever, non-CP		<input type="checkbox"/> PB	<input type="checkbox"/> Other_____

Technical Information

Fixture:	
Configuration	one-piece, elongated
Water per flush	1.28 gal (4.8 L)
Passageway	2-1/8" (5.4 cm)
Water area	11" (27.9 cm) x 8-3/4" (22.2 cm)
Water depth from rim	6" (15.2 cm)
Seat post hole centers	5-1/2" (14 cm)

Included components:

Tank cover – Classic design OR	88871
Tank cover – Stately design	88872

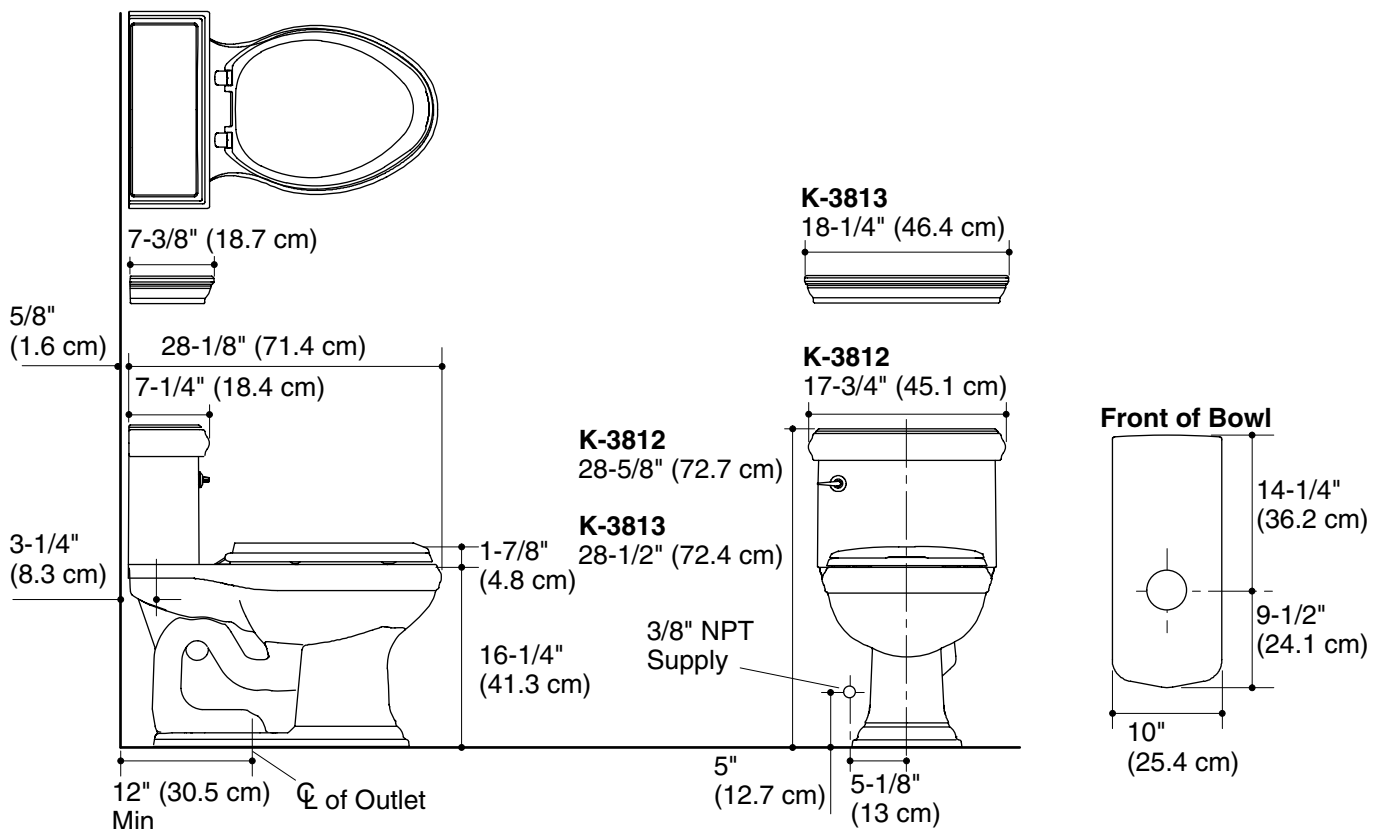
Included components (cont.):

Trip lever – left-hand OR	K-9167-L
Trip lever – right-hand	K-9167-R
Toilet seat	K-4733
Tank accessory pack	52265
Bolt cap accessory pack	52048

Installation Notes

Install this product according to the installation guide.

Will comply with the American Disabilities Act (ADA) when installed per the requirements of the Accessibility Guidelines, Section 604 Water Closets, of the Act. The Model Plumbing Codes require the installation of elongated open-front toilet seats in public bathrooms.



Product Diagram