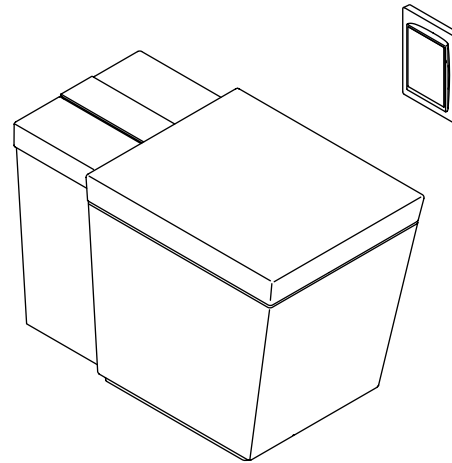


TOILET K-3900



Features

- Vitreous china
- One-piece
- Comfort Height®
- Three-Year Limited Warranty
- 12" (30.5 cm) rough-in
- 1.28 gpf (4.8 lpf) or 0.6 gpf (2.5 lpf)
- 2-7/8" (7.3 cm) trapway
- 10" (25.4 cm) x 8-1/4" (21 cm) water area
- Requires a supply stop with 1/2" OD compression outlet thread
- Requires a 120 V, 15 A minimum, 60 Hz receptacle protected by a GFCI or RCD
- Includes: complete toilet and seat, remote control, wall-mount docking station, supply line, power cord, auxiliary music cord, and external FM antenna
- 29-1/2" (74.9 cm) x 14-1/2" (36.8 cm) x 17-7/8" (45.4 cm)



Codes/Standards Applicable

Specified model meets or exceeds the following:

- EPA WaterSense®
- CSA C22.2 No. 14/68
- UL 1951
- ASME A112.19.14
- ASME A112.4.2
- ASME A112.19.2/CSA B45.1

Colors/Finishes

- 0: White
- Other: Refer to Price Book for additional colors/finishes

Specified Model

Model	Description	Colors/Finishes
K-3900	Toilet	<input type="checkbox"/> 0 <input type="checkbox"/> Other _____
Recommended Accessories		
NA	Supply stop with a 1/2" OD Compression Outlet	
Optional Accessories		
K-8033	Sound tile (for external speakers)	<input type="checkbox"/> Other _____
K-1172974	Flange mounting kit (for installations requiring T-bolts)	

Product Specification

The toilet shall be vitreous china, one-piece, Comfort Height, and a 12" (30.5 cm) rough-in. The toilet shall have a Three-Year Limited Warranty. The toilet shall have a 2-7/8" (7.3 cm) trapway and a 120 V, 15 A minimum, 60 Hz receptacle protected by a GFCI or RCD. Toilet shall have a 10" (25.4 cm) x 8-1/4" (21 cm) water area. The toilet shall require a supply stop with a 1/2" OD compression outlet thread. The toilet shall include seat, remote control, wall-mount docking station, supply line, power cord, auxiliary music input cord and external FM antenna. The toilet shall be 29-1/2" (74.9 cm) x 14-1/2" (36.8 cm) x 17-7/8" (45.4 cm). Toilet shall be Kohler Model K-3900-_____ -_____.

Technical Information

Fixture:	
Configuration	one-piece, elongated
Water per flush	1.28 gal (4.85 L) or .6 (2.5 L)
Passageway	2-7/8" (7.3 cm)
Water area	10" (25.4 cm) x 8-1/4" (21 cm)
Water depth from rim	5-1/2" (14 cm)

Included components:			
Inlet Hose Kit	1153579	Audio Cable	1142212
Remote Dock	1115508	FM Antenna	1142211
Dock to Toilet Cable	1115509	Installation Mounting Kit	1138879
Remote Control	1115507		

Required Electrical Service

Dedicated circuit required, protected with Class A Ground-Fault Circuit-Interrupter (GFCI) or Residual Current Device (RCD):

Receptacle	120 VAC, 15 A minimum, 60 Hz
------------	------------------------------

Installation Notes

Install this product according to the installation guide.

Installation of a water hammer arrestor is recommended.

Install the docking station power cord and water hammer arrestor before installing the finished wall.

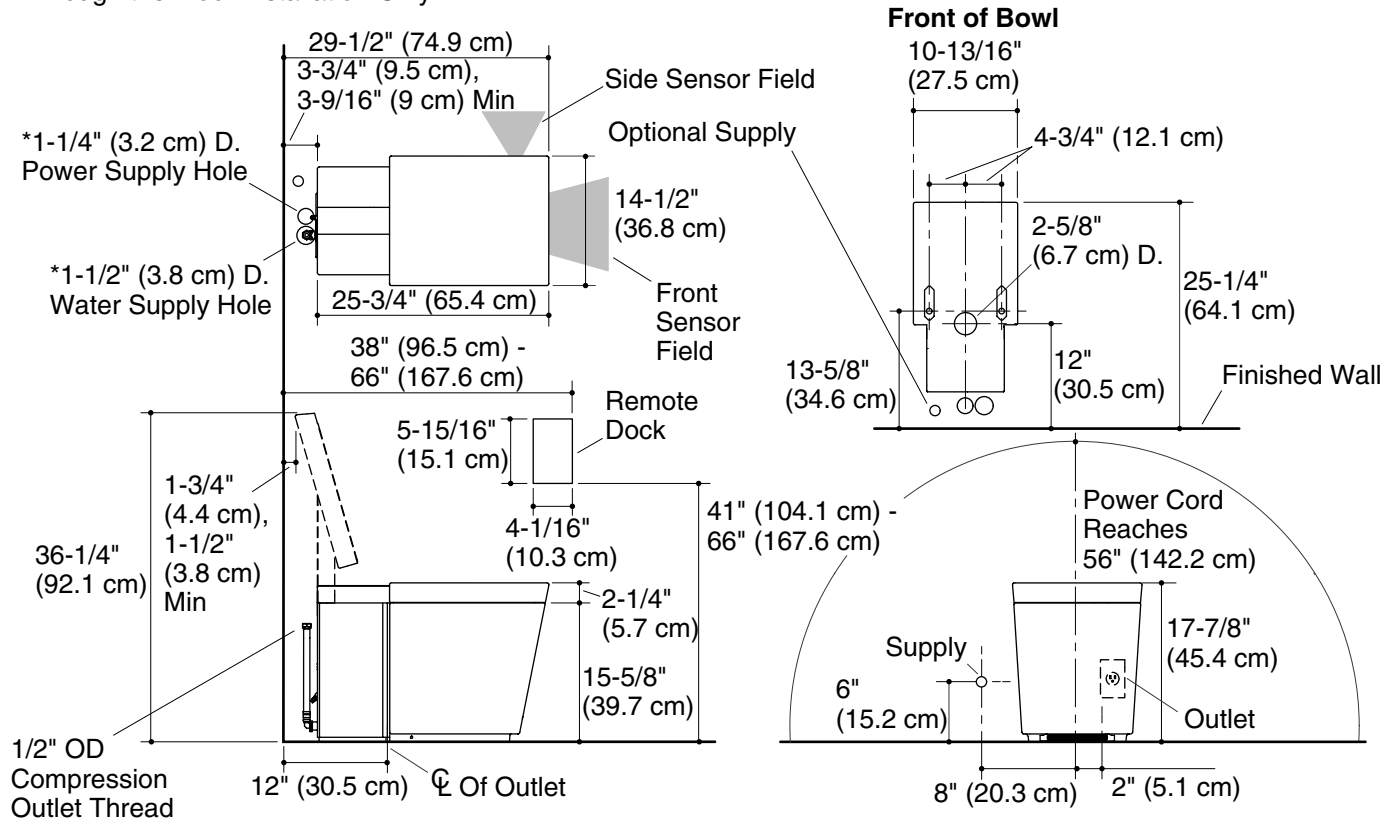
The supplied water inlet hose requires a supply stop with a 1/2" OD Compression male outlet thread.

This model is fastened to the floor by mounting blocks. If local codes require the toilet be bolted to the flange, order kit K-1172974 for required hardware and instructions.

Can be installed with water supply and electrical supply attached to the back wall or through the floor. See roughing-in art for details.

Adjust the through-the-floor installation as required to meet all local codes.

*Through the Floor Installation Only.



Product Diagram