

Features

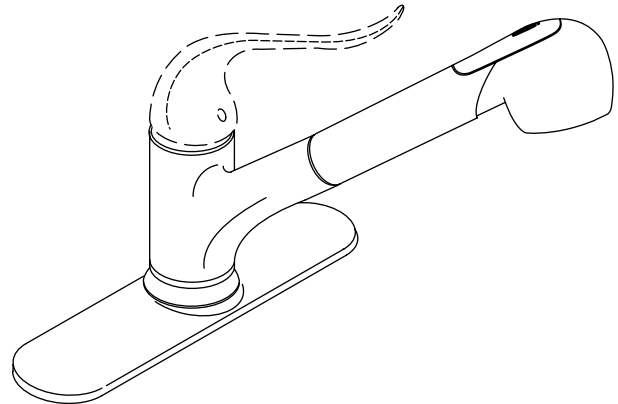
- Metal construction
- One-piece, self-contained ceramic disc valve allows both volume and temperature control
- Temperature memory allows faucet to be turned on and off at any temperature setting
- High-temperature limit setting for added safety
- Touch control for stream-to-spray water flow
- Integral vacuum breaker
- Meets CALGreen requirements for kitchen faucets
- For single-hole or three-hole installation when included 10" (254 mm) escutcheon plate is used
- 9" (229 mm) spout reach with rotating spout
- 1.8 gpm (6.8 lpm) maximum flow rate at 60 psi (4.1 bar)

PULL-OUT SPRAY KITCHEN SINK FAUCET

K-15160

ALSO K-R15160

ADA **CSA B651** **OBC**



Codes/Standards Applicable

Specified model meets or exceeds the following at date of manufacture:

- ADA
- ICC/ANSI A117.1
- CSA B651
- OBC
- ASME A112.18.1/CSA B125.1
- NSF 61
- Energy Policy Act of 2005
- All applicable US Federal and State material regulations

Colors/Finishes

- CP: Polished Chrome
- Other: Refer to Price Book for additional colors/finishes

Accessories

- NA: None applicable

Specified Model

Model	Description	Lever Handle		Loop Handle	
		<input type="checkbox"/> CP	<input type="checkbox"/> Other	<input type="checkbox"/> CP	<input type="checkbox"/> Other
K-15160	Kitchen faucet – matching color sprayhead	<input type="checkbox"/> CP	<input type="checkbox"/> Other		
K-15160-AP	Kitchen faucet – polished chrome body and white sprayhead	<input type="checkbox"/> CP			
K-15160-L	Kitchen faucet – matching color sprayhead			<input type="checkbox"/> CP	<input type="checkbox"/> Other
K-15160-LA	Kitchen faucet – polished chrome body and white sprayhead			<input type="checkbox"/> CP	
K-R15160	Kitchen faucet – matching color sprayhead	<input type="checkbox"/> CP			

Product Specification

The pull-out spray kitchen sink faucet shall be of metal construction. Product shall feature a maximum flow rate of 1.8 gpm (6.8 lpm) at 60 psi (4.1 bar). Product shall feature a one-piece, self-contained ceramic disc valve, which allows both volume and temperature control. Product shall feature temperature memory, allowing the faucet to be turned on and off at any temperature setting. Product shall feature a high-temperature limit stop for added safety, 9" (229 mm) spout reach with rotating spout, integral vacuum breaker, and touch control for stream-to-spray water flow. Product shall be for single-hole or three-hole installation when included 10" (254 mm) escutcheon plate is used. Product shall meet CalGreen requirements for kitchen faucets. Faucet shall be Kohler Model K-15160-____-____ or K-R15160-CP.

CORALAIS®

Optional Accessories		
1012715	Deep roughing-in kit – requires 1-7/16" (37 mm) to 1-1/2" (38 mm) diameter hole to accommodate 1-1/2" (38 mm) to 3-3/8" (86 mm) thick installations	<input type="checkbox"/> NA
1055715	Low flow kit – reduces maximum flow to 1.5 gpm (5.7 lpm) at 60 psi (4.1 bar)	<input type="checkbox"/> NA
1160594	Large Spray 0.35 gpm (1.32 lpm) – Insert only	<input type="checkbox"/> NA

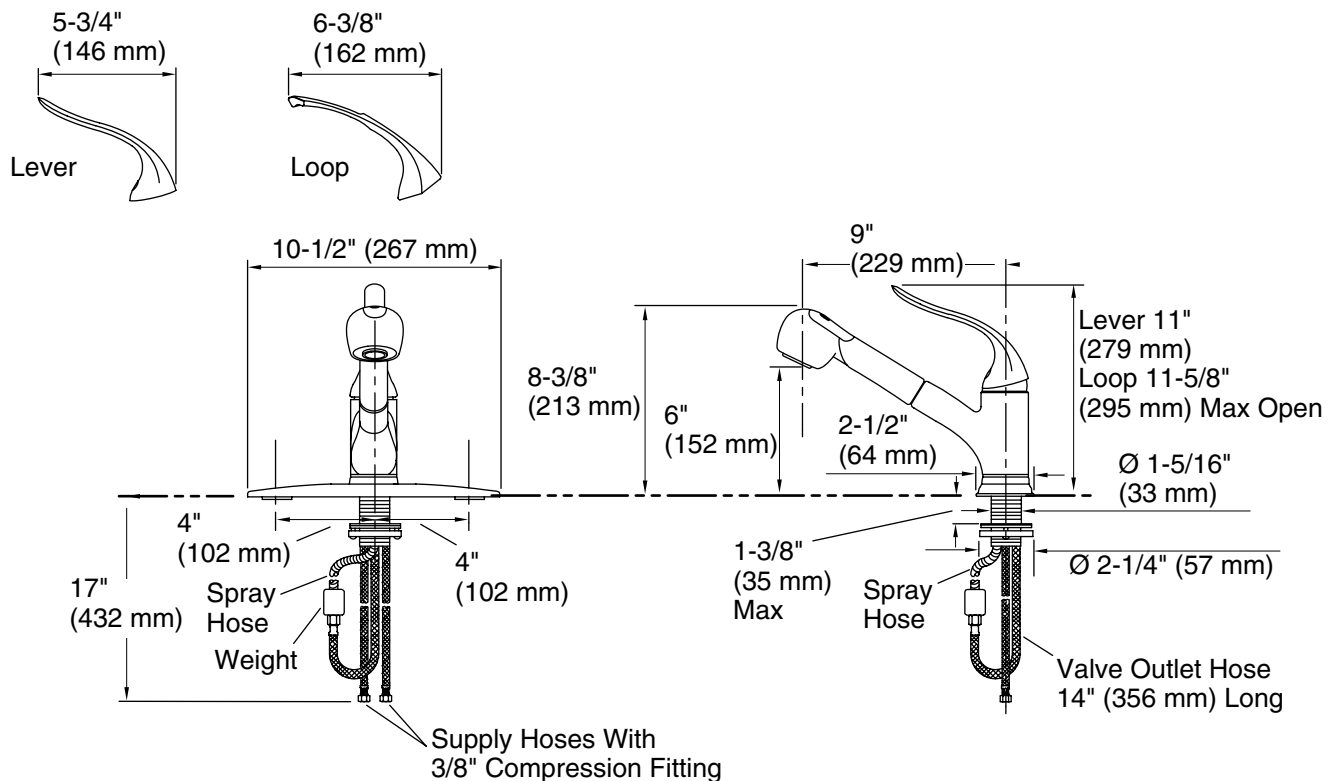
Installation Notes

Install this product according to the installation guide.

ADA, ICC/ANSI A117.1, CSA B651, OBC compliant when installed to the specific requirements of these regulations.

This product meets all local plumbing codes for vacuum breaker requirements.

All necessary parts included for both single-hole and three-hole installation.



Product Diagram