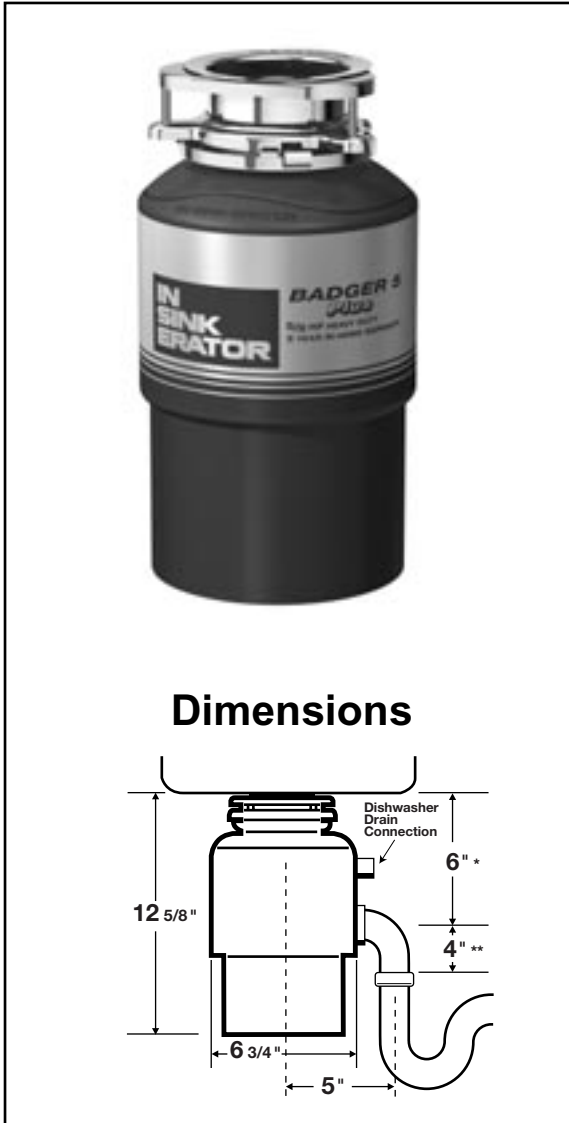
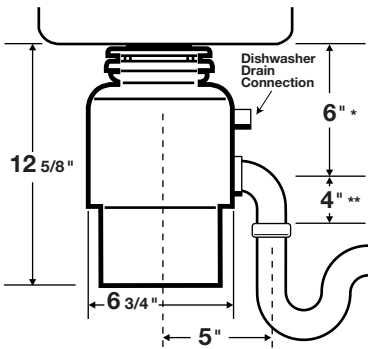


# Badger 5 Plus®



### Dimensions

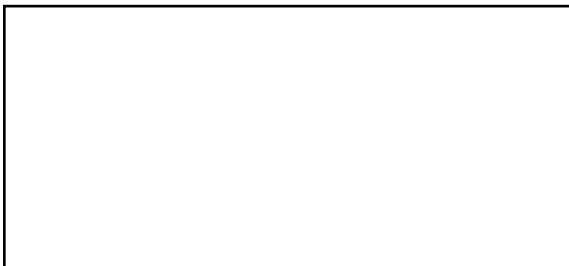


\*Distance from bottom of sink to center line of disposer outlet. Add 1/2" when stainless steel sinks are used.

\*\*Length of tailpipe from center line of disposer outlet to end of tailpipe.

NOTE: Plumb waste line to prevent standing water in disposer motor housing.

### Job Specifications



### Submittal Sheet

Our Badger 5 Plus model provides more power and a longer warranty than the Badger 5 or Badger 1.

This model also offers you these features and benefits:

- 5/8 Horsepower Heavy Duty Motor (Quiet Dura-Drive® Induction Motor)
- 3-Year *We Come To You™* In-Home Parts And Labor Service Warranty
- Sound Reduction System (Outer Shell Ensures Quiet Operation)
- Rugged Galvanized Steel Construction (For Disposer Durability)
- Space-Saving Compact Design

### Sample Specification

Food Waste Disposer(s) shall be In-Sink-Erator Badger 5 Plus, continuous feed, with 5/8 H.P. motor, galvanized steel grinding elements with two stainless steel 360° swivel lugs. Self-service wrench. Warranty - 3 year parts and in-home service.

\*The complete In-Sink-Erator warranty is included in the Care & Use Booklet, packed with each unit.

### Specifications

Type of Feed	Continuous
On/Off Control	Wall Switch
Motor	Single Phase
HP	5/8
Volts	120
HZ	60
RPM	1725
Amp. (Avg. Load)	7.3
Time Rating	Intermittent
Lubrication	Permanently Lubricated Upper & Lower Bearings
Shipping Weight (Approx.)	15 lbs. 8 oz.
Unit Finish	Waterborne Grey Enamel
Overall Height	12-5/8"
Grind Chamber Capacity	26 oz.
Motor Protection	Manual reset Overload
Average Water Usage	1/4 Gallon Per Person Per Day
Average Electrical Usage	1/2 KWH Per Month
Drain Connection	1-1/2" Cushioned Slip Joint
Dishwasher Drain Connection	Yes



The Emerson logo is a trademark and a service mark of Emerson Electric Co. In-Sink-Erator is a division of Emerson Electric Co.