

Talis S
Talis S 2-Spray HighArc Kitchen Faucet, Pull-Down
 Finishes : **Chrome** Part no. : **14877001**



Description

Features

- Swivel range 150°
- Full and needle spray
- Non-locking spray diverter
- MagFit magnetic sprayhead docking
- Flow: 1.75 GPM
- Ceramic cartridge
- 3/8" compression

Optional accessories

- Talis S Bar Faucet (#04287USA)

Item details

List Price \$ 557.00

Technology



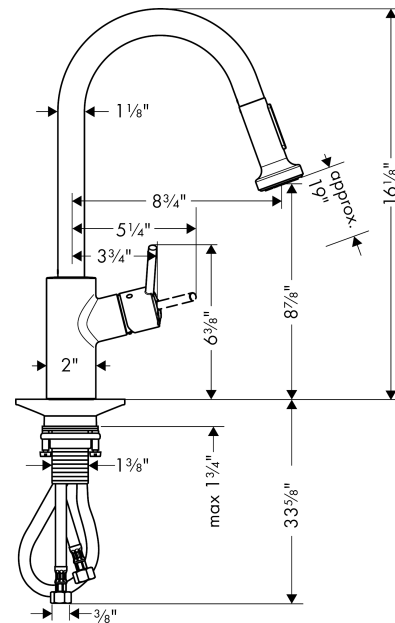
Compliance



Product image



Scale drawing

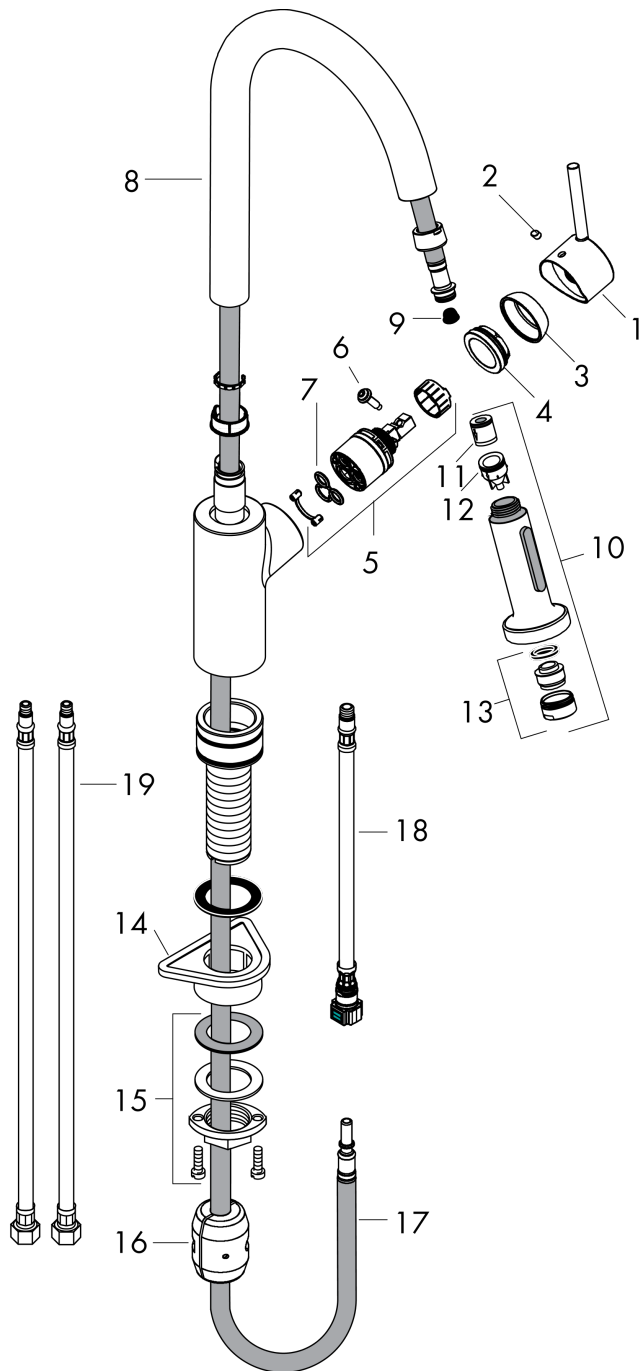


Talis S
Talis S 2-Spray HighArc Kitchen Faucet, Pull-Down
Finishes : **Chrome** Part no. : **14877001**



Exploded drawing

Year of production: >07/10



Talis S
Talis S 2-Spray HighArc Kitchen Faucet, Pull-Down

 Finishes : **Chrome** Part no. : **14877001**

Spare parts list

Year of production: >07/10

Pos.	Description	Part no.	Price	PU
1	handle	95560000	-	1
2	screw cover	96338000	-	1
3	flange	95498000	-	1
4	nut	97209000	-	1
5	cartridge, assy	92730000	-	1
6	locking screw for handle	95140000	-	1
7	seal	95008000	-	1
8	spout cpl.	95562000	-	1
9	filter	97735000	-	1
10	spray head cpl.	88658000	-	1
11	set of non return valves DW 15	97350000	-	1
12	non return valve	95340000	-	1
13	aerator M24x1 (15 l/min)	13913000	-	1
14	support	97523000	-	1
15	fixing set (Ø 34)	95049000	-	1
16	weight	92500000	-	1
17	hose 1,50 m	88624000	-	1
18	connection hose 600 mm M10x1	95561000	-	1
19	connection hose 35½" M8x0,75 3/8"	96316001	-	1
a	set of lever collars	98365000	-	1
b	insert for spout	92161000	-	1