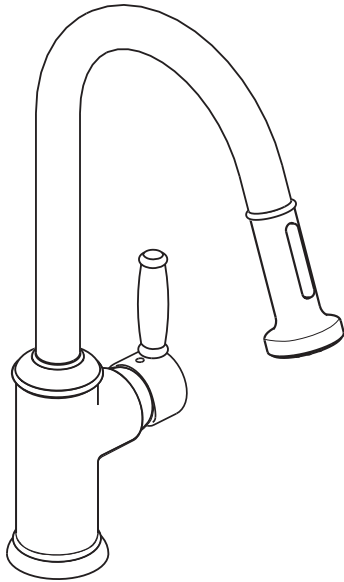


QUICLEAN



Product Features

- Solid brass
- Lever handle
- Ceramic cartridge
- Pull-down handspray with two spray modes: full and needle
- Nylon hose
- Spout swivels 360°
- 2.2 gpm max.

Code Compliance

This unit meets or exceeds the following:

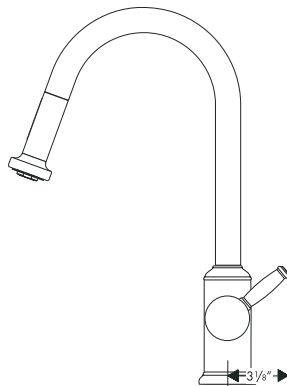
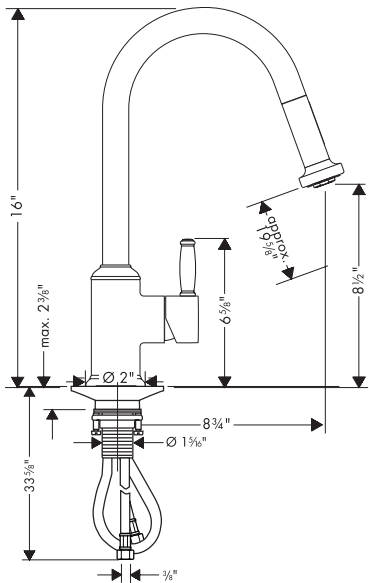
- ASME A112.18.1
- CSA B125.1
- Listed by IAPMO
- Approved for use in Massachusetts

Available Finishes

Chrome	06128000
Oil Rubbed Bronze	06128620
Polished Nickel	06128830
Steel Optik	06128860
Rubbed Bronze	06128920

Optional Accessories

10" baseplate	06341XX0
Soap dispenser	06341XX0



The measurements shown are for reference only.

Products and specifications shown are subject to change without notice.

Specification sheet revised 8/2009