

## S Trio/Quattro Diverter Trim

Surfaces: **brushed nickel** Article Number: **04232820**



### Description

#### product features

- scope of supply: handle, sleeve, escutcheon

#### Mandatory Accessoires

- Rough, Quattro 3-Way Diverter, 3/4" (#15930USA)
- Rough, Quattro Green 3-Way Diverter (no shared function), 3/4" (#15936USA)
- Rough, Trio 2-Way Diverter without Shut-Off, 3/4" (#15984USA)

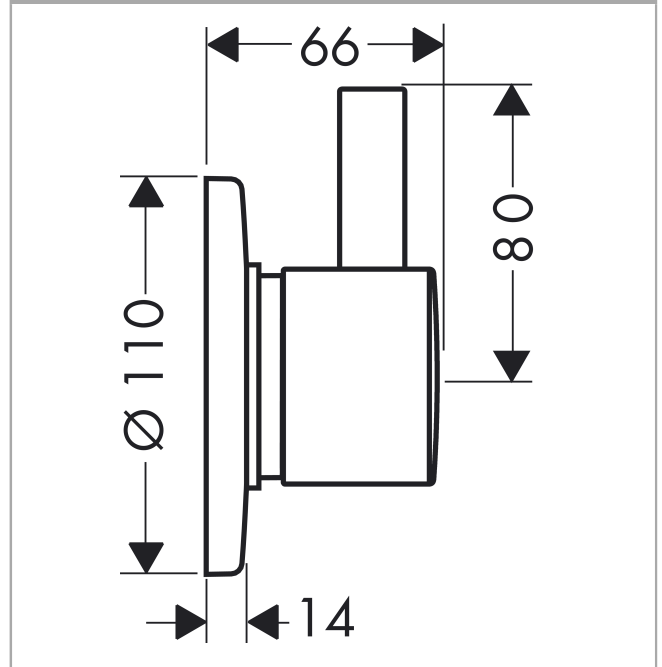
#### Optional Accessoires

- Extension set 25 mm (#96370XXX)

### Product image



### Scale drawing



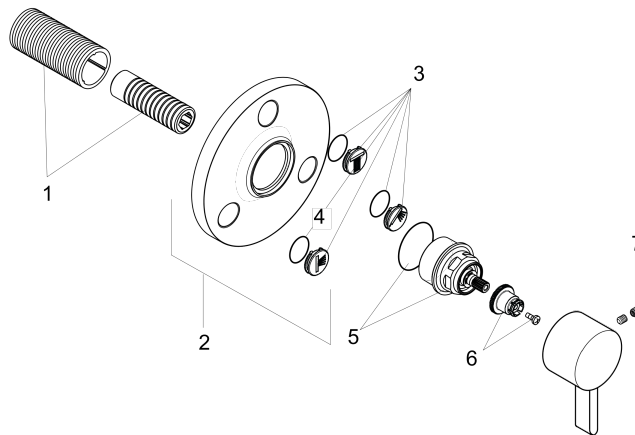
## S Trio/Quattro Diverter Trim

Surfaces: **brushed nickel** Article Number: **04232820**



### Exploded Drawing

Year of production: &gt;12/09



## S Trio/Quattro Diverter Trim

Surfaces: **brushed nickel** Article Number: **04232820**



### Spare part list

Year of production: &gt;12/09

Pos.	Description	Article Number	PC	PU
1	fixing set	96392000	8	1
2	escutcheon	95563820	0	1
3	set of symbols	95238820	10	1
4	O-ring 13x2	98128000	1	1
5	nut	98677000	8	1
6	handle fixing set	94184000	2	1
7	screw cover	95181000	1	1
a	handle	88774820	0	1