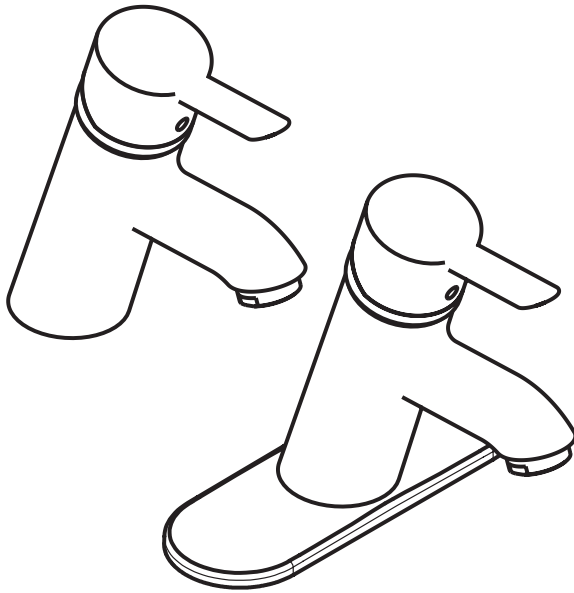


**ECO
RIGHT**



Product Features

- Solid brass
- Single-hole mount
- Single handle with M2 ceramic cartridge
- 1.5 gpm
- Includes pop-up drain
- Includes 6" baseplate - use of baseplate is optional

Code Compliance

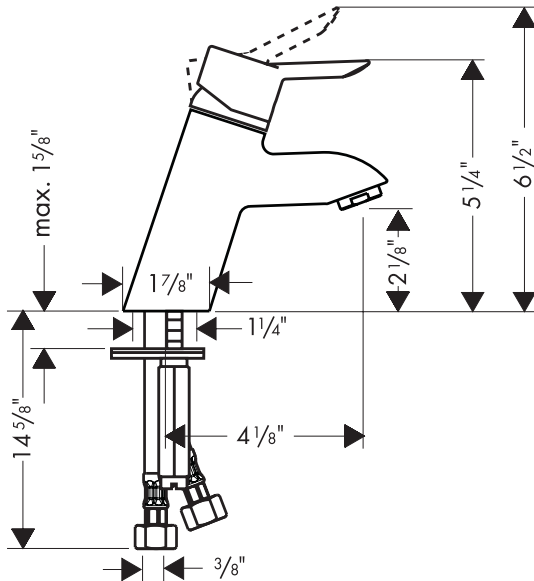
This unit meets or exceeds the following:

- ASME A112.18.1
- CSA B125.1
- Listed by IAPMO
- WaterSense certified
- ADA compliant

Available Finishes

Chrome

31701001



The measurements shown are for reference only.

Products and specifications shown are subject to change without notice.

Specification sheet revised 11/2010