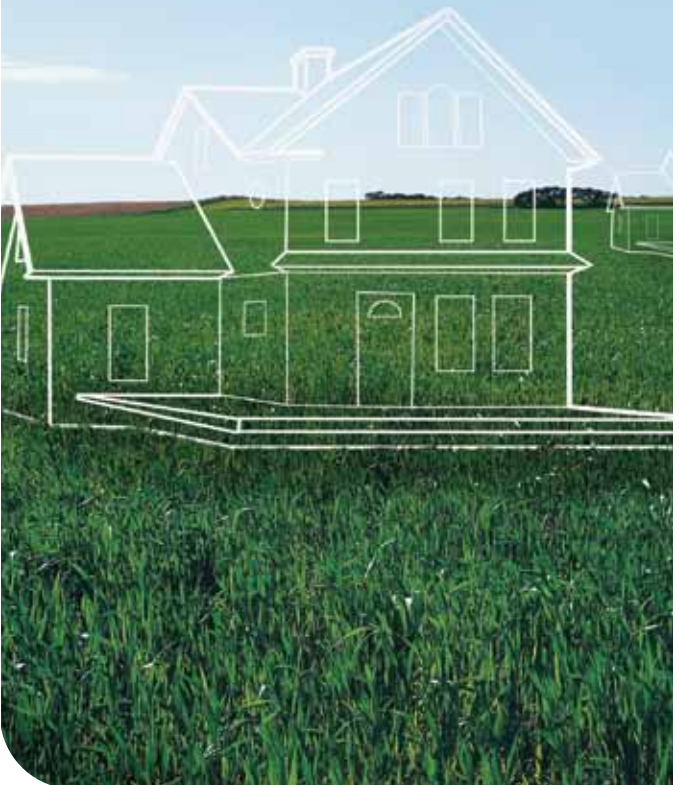




Perfectly quiet.
Perfectly green.





Smarter. Greener. Together.

Established in 1971, Delta Group is the world's leading provider of power management and thermal management solutions, as well as a major source for components, visual displays, industrial automation, networking products, and renewable energy solutions. Delta Group has sales offices worldwide and manufacturing plants in Taiwan, China, Thailand, Japan, Mexico, India, Brazil and Europe. In the US, Delta has 10 offices and headquarters in Fremont, CA.

As a global leader in power electronics, Delta's mission is, "To provide innovative, clean and energy-efficient solutions for a better tomorrow." Delta is committed to environmental protection and has implemented green, lead-free production and recycling and waste management programs for many years.

More information about Delta Group can be found at:
www.deltaww.com



Innovative DC brushless motor design for long life, low noise and low power consumption.

The Breez Ventilation Fan combines several design innovations, including a DC brushless motor and switching power supply to provide a quieter solution with energy savings up to 85% compared to similar AC motor products.

The Breez Ventilation Fan is easy to install in new construction or an existing bathroom to deliver an unobtrusive appliance with aesthetically pleasing results. The all products are cUL safety certified, HVI lab tested and Energy Star certified.

Delta Breez Ventilation Fan

Perfectly quiet. Perfectly green.

Motor/Blower

- Power rating of 110~220volts/50~60Hz
- DC brushless motor engineered to run continuously for 70,000hrs
- Motor equipped with thermal cutoff fuse
- Removable with permanently lubricated plug-in motor

Housing

- Galvanized steel body
- Available with detachable 3" and 4" diameter duct adapter
- Built in backdraft damper
- Easy installation

Grille

- Attractive design using ABS material
- Attaches directly to housing with torsion springs or attaches directly to housing with included grille bracket.(CFL Light Models)

Warranty

- 3 year limited warranty

Features

- Low noise
- Energy Star certified
- HVI Lab Tested
- UL and cUL listed for tub/shower enclosure when used with GFCI branch circuit wiring

DC Motor Technology

- Allows fan to operate in full speed, dual speed or humidity control modes by cycling ON/OFF switch
- LED light indicators for operation and mode options
- Built in soft start function to increase bearings life
- Automatically powers OFF when impeller is locked abnormally



Introducing the Delta BreezSignature Fan with an LED Light



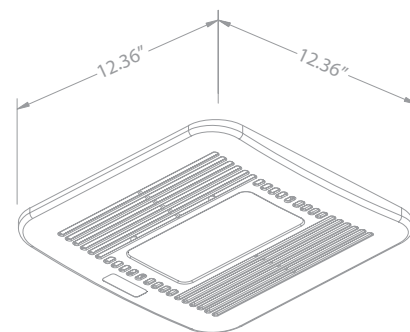
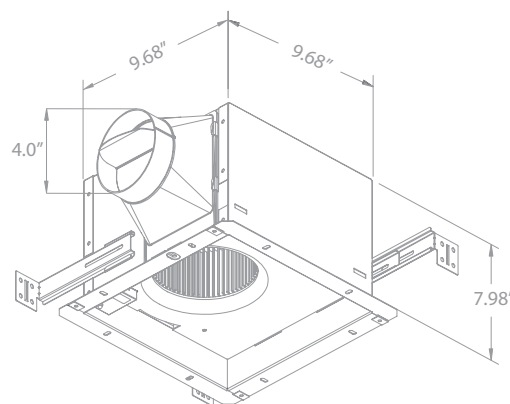
A first in the market achievement of bathroom ventilation for green construction brought to you by Delta. The Delta BreezSignature LED exhaust fan is an all-in-one ceiling mount fan with built-in 16-Watt LED Light and 2-Watt Night-Light.

VFB080D4LED1

Static Pressure (Inches w.g.)	0.1	0.25
Air Flow (CFM)	80	58
Sones	0.5	1.0
Power Consumption (Watts)	9.0	11.3
Energy Efficiency (CFM/Watt)	9.1	5.3
Current (Amps)	0.14 @ 120 Vac	
Power Rating (V/Hz)	120/60	
Lamp (Watts)	16	
Night-Light (Watts)	2	



Fan/LED Light/Night-Light



Features:

Innovative design for long life, low noise, and low power consumption.

- Energy savings up to 73%¹
- Lowest sone level rated by HVI at 0.5 sones
- Exceeds Energy Star requirements by 650% in energy efficiency²



¹ Based upon BreezSignature VFB080D4LED1 vs. market AC motor fan.

² Based upon Energy Star criteria for residential ventilating fans.

Introducing Delta BreezSignature Series.
Reaching new heights in low power
consumption and quiet performance.



Fan/Light/Night-Light



Fan

Delta BreezSignature Series ventilation fans come in nine different models, with or without built-in lighting. All of the BreezSignature fans feature the same quiet operation, low power consumption and Delta's durable DC brushless motor.

Features:

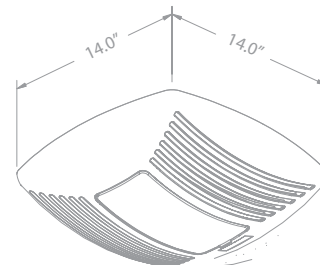
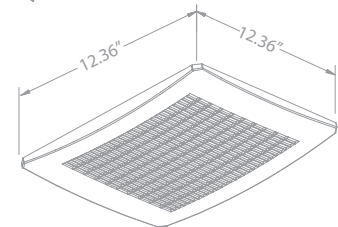
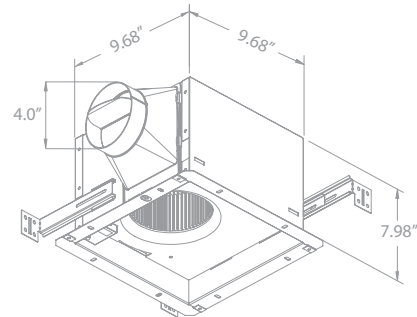
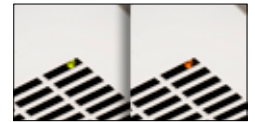
Innovative DC brushless motor design for long life, low noise, and low power consumption.

- Energy savings up to 74%¹
- Lowest sone level rated by HVI at <0.3 sones
- Exceeds Energy Star requirements by 785% in energy efficiency²
- LED Light Indicators:

Humidity



Dual Speed



¹ Based upon VFB25AC vs. market AC motor.

² Based upon Energy Star criteria for residential ventilating fans.

Delta BreezSignature Series Specifications



VFB25ACL - 80 CFM Exhaust Fan/Light/Night-Light

Static Pressure (Inches w.g.)	0.1	0.25
Air Flow (CFM)	80	49
Sones	0.6	1.0
Power Consumption (Watts)	9.6	10.0
Energy Efficiency (CFM/Watt)	8.5	5.0
Current (Amps)	0.15 @ 120 Vac	
Power Rating (V/Hz)	120/60	
Lamp (Watts)	26	
Night-Light (Watts)	4	

VFB25ADL - 110 CFM Exhaust Fan/Light/Night-Light

Static Pressure (Inches w.g.)	0.1	0.25
Air Flow (CFM)	110	89
Sones	1.1	1.4
Power Consumption (Watts)	15.4	17.2
Energy Efficiency (CFM/Watt)	7.1	5.2
Current (Amps)	0.26 @ 120 Vac	
Power Rating (V/Hz)	120/60	
Lamp (Watts)	26	
Night-Light (Watts)	4	

VFB25AC - 80 CFM Exhaust Fan

Static Pressure (Inches w.g.)	0.1	0.25
Air Flow (CFM)	80	56
Sones	<0.3	0.6
Power Consumption (Watts)	7.2	9.3
Energy Efficiency (CFM/Watt)	11.0	6.0
Current (Amps)	0.12 @ 110 Vac	
Power Rating (V/Hz)	110~220/50~60	

VFB25AD - 110 CFM Exhaust Fan

Static Pressure (Inches w.g.)	0.1	0.25
Air Flow (CFM)	110	81
Sones	1.0	1.5
Power Consumption (Watts)	14.2	15.0
Energy Efficiency (CFM/Watt)	7.7	5.4
Current (Amps)	0.22 @ 110 Vac	
Power Rating (V/Hz)	110~220/50~60	

VFB25ACH - 80 CFM Humidity Sensor Exhaust Fan

Static Pressure (Inches w.g.)	0.1	0.25
Air Flow (CFM)	80	56
Sones	<0.3	0.6
Power Consumption (Watts)	7.2	9.3
Energy Efficiency (CFM/Watt)	11.0	6.0
Current (Amps)	0.12 @ 110 Vac	
Power Rating (V/Hz)	110~220/50~60	

VFB25ADH - 110 CFM Humidity Sensor Exhaust Fan

Static Pressure (Inches w.g.)	0.1	0.25
Air Flow (CFM)	110	81
Sones	1.0	1.5
Power Consumption (Watts)	14.2	15.0
Energy Efficiency (CFM/Watt)	7.7	5.4
Current (Amps)	0.22 @ 110 Vac	
Power Rating (V/Hz)	110~220/50~60	

VFB25AEH - 130 CFM Humidity Sensor Exhaust Fan

Static Pressure (Inches w.g.)	0.1	0.25
Air Flow (CFM)	130	107
Sones	1.3	N/A
Power Consumption (Watts)	19.1	18.8
Energy Efficiency (CFM/Watt)	7.1	5.9
Current (Amps)	0.36 @ 110 Vac	
Power Rating (V/Hz)	110~220/50~60	

VFB25AX - 80/110 CFM Dual Speed Exhaust Fan

Fan Speed	Low		High	
Static Pressure (Inches w.g.)	0.1	0.25	0.1	0.25
Air Flow (CFM)	80	53	110	89
Sones	0.5	N/A	1.0	N/A
Power Consumption (Watts)	7.7	8.7	16.0	18.1
Energy Efficiency (CFM/Watt)	10.4	6.1	7.0	5.0
Current (Amps)	0.12 @ 110 Vac		0.22 @ 110 Vac	
Power Rating (V/Hz)	110~220/50~60		110~220/50~60	



Delta BreezSlim Series

Specifications



The Delta BreezSlim Ventilation Fan marks a new achievement in bathroom ventilation for green construction. Combines record low power consumption of 6.4 Watts and quiet operation down to 1.0 sone, the lowest ever in a 7.5" x 7.25" x 3.937" bath fan. BreezSlim series fans are designed for easy retrofit into existing bathrooms, multi-family housing and new construction, either ceiling or wall mountable.



Project Pack Components Available



Features:

Innovative DC brushless motor design for long life, low noise, and low power consumption.

- Energy savings up to 85%¹
- 1 sone – The quietest ever in a 7.5" x 7.25" bath fan
- Exceeds Energy Star requirements by 600% in energy efficiency²



¹ Based upon VFB050B3A1 vs. market AC motor.

² Based upon Energy Star criteria for residential ventilating fans.

VFB050B3A1 - 50 CFM Exhaust Fan

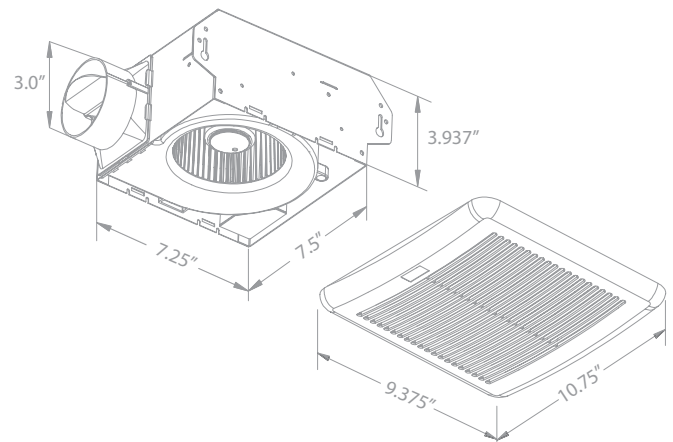
Static Pressure (Inches w.g.)	0.1	0.25
Air Flow (CFM)	50	36
Sones	1.0	1.2
Power Consumption (Watts)	6.4	6.3
Energy Efficiency (CFM/Watt)	8.9	6.5
Current (Amps)	0.18 @ 120 Vac	
Power Rating (V/Hz)	120/60	

VFB070B3A1 - 70 CFM Exhaust Fan

Static Pressure (Inches w.g.)	0.1	0.25
Air Flow (CFM)	70	54
Sones	2.0	1.5
Power Consumption (Watts)	13.1	11.5
Energy Efficiency (CFM/Watt)	5.8	5.0
Current (Amps)	0.29 @ 120 Vac	
Power Rating (V/Hz)	120/60	

VFB070B3X1 - 50/70 Dual Speed Exhaust Fan

Fan Speed	Low		High	
Static Pressure (Inches w.g.)	0.1	0.25	0.1	0.25
Air Flow (CFM)	50	36	70	54
Sones	1.0	1.2	2.0	1.5
Power Consumption (Watts)	6.4	6.3	13.1	11.5
Energy Efficiency (CFM/Watt)	8.9	6.5	5.8	5.0
Current (Amps)	0.18 @ 120 Vac		0.29 @ 120 Vac	
Power Rating (V/Hz)	120/60			





The Builders Choice for Green Construction.

The Delta BreezGreenBuilder Ventilation Fan marks a new achievement in ventilation for green construction. 4.0 Watts is Delta's record low in power consumption. Less than 0.3 sones becomes the quietest ever in a 8.25" x 8.0" bath fan. Designed for easy retrofit into existing bathrooms and new construction.



Project Pack Components Available



Features:

Innovative DC brushless motor design for long life, low noise, and low power consumption.

- Energy savings up to 85%¹
- Lowest sone level rated by HVI at <0.3 sones
- Exceeds Energy Star requirements by 935% in energy efficiency²



¹ Based upon BreezGreenBuilder VFB050C4A1 vs. market AC motor fan.

² Based upon Energy Star criteria for residential ventilating fans.

VFB050C4A1 - 50 CFM Single Speed

Static Pressure (Inches w.g.)	0.1	0.25
Air Flow (CFM)	50	36
Sones	<0.3	1.0
Power Consumption (Watts)	4.0	5.2
Energy Efficiency (CFM/Watt)	13.1	7.1
Current (Amps)	0.03 @ 120 Vac	0.04 @ 120 Vac
Power Rating (V/Hz)	120/60	

VFB080C4A1 - 80 CFM Single Speed

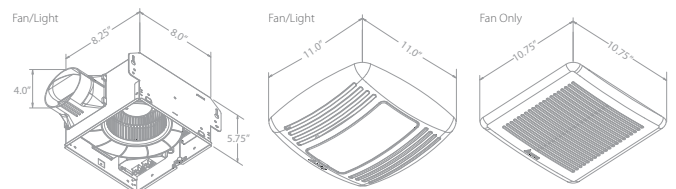
Static Pressure (Inches w.g.)	0.1	0.25
Air Flow (CFM)	80	66
Sones	0.8	1.1
Power Consumption (Watts)	7.9	9.3
Energy Efficiency (CFM/Watt)	10.3	7.2
Current (Amps)	0.06 @ 120 Vac	0.07 @ 120 Vac
Power Rating (V/Hz)	120/60	

VFB050C4L1 - 50 CFM Fan/Light

Static Pressure (Inches w.g.)	0.1	0.25
Air Flow (CFM)	50	38
Sones	<0.3	0.7
Power Consumption (Watts)	4.3	5.8
Energy Efficiency (CFM/Watt)	12.2	7.0
Current (Amps)	0.03 @ 120 Vac	0.05 @ 120 Vac
Power Rating (V/Hz)	120/60	
Lamp (Watts)	26	

VFB080C4L1 - 80 CFM Fan/Light Combo

Static Pressure (Inches w.g.)	0.1	0.25
Air Flow (CFM)	80	66
Sones	0.8	1.0
Power Consumption (Watts)	8.7	9.7
Energy Efficiency (CFM/Watt)	9.2	6.8
Current (Amps)	0.07 @ 120 Vac	0.07 @ 120 Vac
Power Rating (V/Hz)	120/60	
Lamp (Watts)	26	



Our Mission

To provide innovative, clean and energy-efficient solutions for a better tomorrow.



	Mainland China	Asia (Except Mainland China)	Americas	Europe / Africa	Totals
Sales Offices	35	23	14	22	94
Manufacturing Plants	18	19	2	2	41
R&D Labs	22	17	7	9	55
Logistics Hubs	54	16	33	27	130

Dealer Address:

Learn more about the Breez Ventilation Fan, the ideal bathroom solution for green construction.

www.deltabreez.com



Delta Products Corporation

4405 Cushing Parkway
Fremont, CA 94538

tel 1.888.979.9889

fax 1.510.226.5097