

EVERCLEAN 5' x 32" IA-LHO / RHO WHIRLPOOL

Comfortable bathing design with form-fitted backrest and molded-in armrests

Model# 2425LC-LHO Whirlpool with Integral Apron, Left Hand Drain Outlet (specify color)

Model# 2425LC-RHO Whirlpool with Integral Apron, Right Hand Drain Outlet (specify color)

- Acrylic with fiberglass reinforcement
- EverClean system*
- Ledge-mounted overflow design for maximum water depth
- Integral apron with removable access panel
- Integral three-sided, tiling / water retention flange
- Self-draining pump/motor with dry run seal
- Eight directionally adjustable Clean Jets™
- E-Z Install™ heater connection system (heater must be ordered separately)
- Two silent air volume controls
- Designed with undermount installation option
- Complete factory installed and tested whirlpool system

* American Standard whirlpools with EverClean incorporate a patented antimicrobial additive molded directly into the water circulation piping to inhibit the growth of mold and mildew on the pipes.

Model# 2425L102 Bathing Pool Only with Integral Apron, Right Hand Drain Outlet (specify color)

Model# 2425L202 Bathing Pool Only with Integral Apron, Left Hand Drain Outlet (specify color)

Nominal Dimensions:

60" x 32" x 21-1/2"
(1524 x 813 x 546mm)

Compliance Certifications -

Meets or Exceeds the Following Specifications:

- Underwriters Laboratories - Hydromassage Bathtubs UL 1795
- ASME A112.19.7M for Whirlpool Appliances
- ANSI Z124.1 for Plastic Bathtubs
- ASTM E162 for Flammability
- NFPA 258 for Smoke Density

SEE REVERSE FOR ROUGHING-IN DIMENSIONS AND PRODUCT SPECIFICATIONS



Components Required:

- Bath Filler**: (specify finish)
- Bath Drain: Deep Soak® Max 1599.205.XXX (colors/finishes other than white)
OR 1599.500.020 (white only)

Custom Accessories Available:

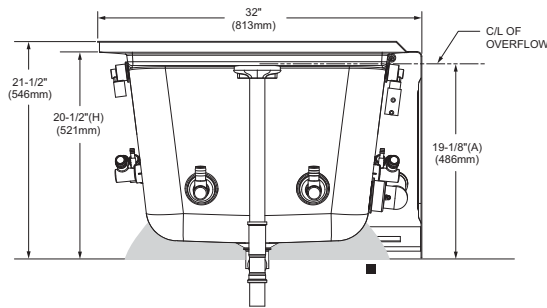
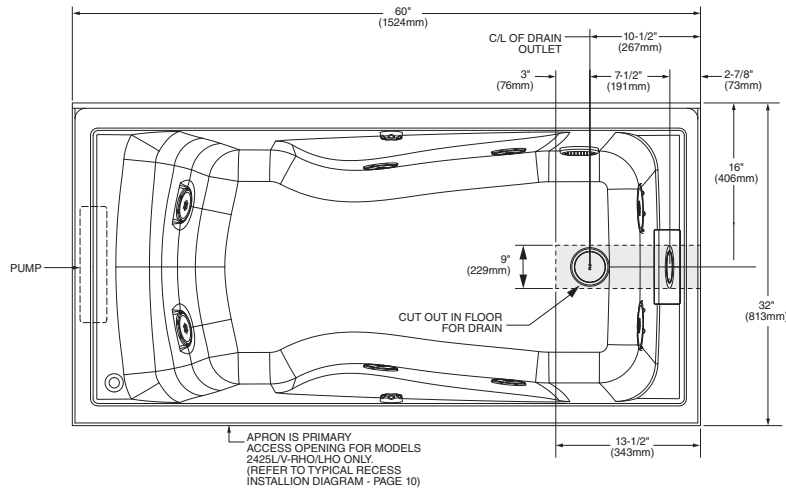
- E-Z Install Whirlpool Heater - EZHEAT-100

** See American Standard Faucet Selector

For color/finish availability and other faucet choices, please see the Product Selector and Pricing Guide.

NOTE: E-Z-Install Whirlpool Heater is designed to maintain water temperature during operation. It will not heat cold water to desired bathing temperature.

Model 2425LC-RHO Shown



DIMENSIONS OF FIXTURES ARE NOMINAL AND MAY VARY WITHIN THE RANGE OF TOLERANCES ESTABLISHED BY ANSI STANDARDS Z124.1 AND A112.19.7.

GENERAL SPECIFICATIONS FOR 2425LC WHIRLPOOL

INSTALLED SIZE	60 x 32 x 20-1/2 (1524 x 813 x 521mm)
WEIGHT	92 Lbs. (42 Kg.)
WEIGHT w/WATER	675 Lbs. (306 Kg.)
GAL. TO OVERFLOW	70 Gal. (265 L.)
WHIRLPOOL MIN. OPERATING VOL.	39 Gal. (148 L.)
BATHING WELL AT SUMP	42 x 22 (1067 x 559mm)
BATHING WELL AT RIM	53 x 25-1/2 (1346 x 648mm)
WATER DEPTH TO OVERFLOW	17-1/2 (445mm)
FLOOR LOADING (PROJECTED AREA)	51 Lbs./Sq.Ft. (247 Kgs./Sq.m)

WHIRLPOOL ELECTRICAL SPECIFICATIONS

PUMP	1.4 HPR, 9.7 AMPS, 120V.
------	--------------------------

GENERAL SPECIFICATIONS FOR 2425L BATHING POOL

INSTALLED SIZE	60 x 32 x 20-1/2 (1524 x 813 x 521mm)
WEIGHT	77 Lbs. (35 Kg.)
WEIGHT w/WATER	661 Lbs. (299 Kg.)
GAL. TO OVERFLOW	70 Gal. (265 L.)
BATHING WELL AT SUMP	42 x 22 In. (1067 x 559mm)
BATHING WELL AT RIM	53 x 25-1/2 In. (1346 x 648mm)
WATER DEPTH TO OVERFLOW	17-1/2 (445mm)
FLOOR LOADING (PROJECTED AREA)	50 Lbs./Sq.Ft. (242 Kgs./Sq.m)

NOTES:

BATH CAN BE INSTALLED EITHER ABOVE OR BELOW FLOOR LINE AS PIER, ISLAND, OR PENINSULA TYPE INSTALLATION. SUPPORT OF BATH BY SUMP BEDDING. SUPPORT AND ENCLOSING MATERIAL BY OTHERS.

■ REFER TO INSTALLATION INSTRUCTIONS SUPPLIED WITH WHIRLPOOL FOR ADDITIONAL INFORMATION.

FITTINGS NOT INCLUDED AND MUST BE ORDERED SEPARATELY.

PROVIDE SUITABLE REINFORCEMENT FOR ALL SUPPORTS.

IMPORTANT: Dimensions of fixtures are nominal and may vary within the range of tolerances established by ANSI Standard Z124.1. These measurements are subject to change or cancellation. No responsibility is assumed for use of superseded or voided leaflet.