



# Z5708.207.00

## "Nano Pint®" 1/8 gpf, EcoVantage®, Ultra Low Consumption, Urinal System

TAG \_\_\_\_\_



### Z5708.207.00 Series

#### Z5708.207.00 Series

- Zurn One ultra low consumption urinal system designed for optimal performance between Zurn fixture and Zurn flush valve to save water while exceeding industry performance standards
- 1/8 gallons per flush [0.5 Liters per flush]
- Vitreous china
- High efficiency washout flushing action
- Over 88% water savings over standard 1.0 gpf [4.0 Lpf] system
- Manual ADA, non-hold open handle actuation
- Designed to retrofit 4 bolt pattern urinals with no work behind the finished wall required in most application
- 3/4" top spud
- 2" I.P.S. outlet flange and rubber gasket with integral trap
- 14" extended rim for handicap compliance when installed at proper height
- Vandal resistant outlet strainer included
- Shipping Weight: 28 lbs.

#### ENGINEERING SPECIFICATION:

**Z5708.207.00 EcoVantage® Manual High Efficiency Urinal (HEU) System** - System comes complete with exposed Z6003AV-ULF high efficiency flushometer valve with manual handle actuation and vitreous china urinal. The system is designed to perform to industry standards with as little as 1/8th gallon per flush, and retrofits four bolt pattern urinals with no work behind the finished wall required in most installations. The valve is an exposed, quiet diaphragm-type, chrome plated flushometer valve with a polished exterior. Complete with Zurn's AquaVantage® TPE, chloramine resistant, dual seal diaphragm with a clog-resistant filtered bypass. The valve is ADA compliant with a non-hold open and no leak handle feature, high back pressure vacuum breaker, one piece hex coupling nut, adjustable tailpiece, spud coupling and flange for top spud connection. Control stop has internal siphon-guard protection, vandal resistant stop cap, sweat solder kit, and a cast wall flange with set screw. Vitreous china urinal is supplied with 3/4" top spud, 2" outlet connection, vandal resistant outlet strainer and retrofit hanger bracket.

*These dimensions and specifications are subject to change without notice.*

Fixture dimensions meet ANSI/ASME standards A112.19.2 and CAN/CSA B45 requirements.

Meets the American Disabilities Guidelines and ANSI A117.1 requirements when urinal is installed 17" [432 mm] from finished floor.



www.GreenSpec.com

This space is for Architectural/engineering Approval

ZURN INDUSTRIES, LLC. ♦ COMMERCIAL BRASS OPERATION ♦ 5900 ELWIN BUCHANAN DRIVE ♦ SANFORD NC 27330

Phone: 1-800-997-3876 ♦ Fax: 919-775-3541 ♦ World Wide Web: www.zurn.com

In Canada: ZURN INDUSTRIES LIMITED ♦ 3544 Nashua Drive ♦ Mississauga, Ontario L4V1L2 ♦ Phone: 905-405-8272 Fax: 905-405-1292

EcoVantage® and "The Pint®" are a registered trademarks of Zurn Industries, LLC.

REV.

DWG. NO. 200341

DATE: 1/22/10

PRODUCT NO. Z5708.207.00

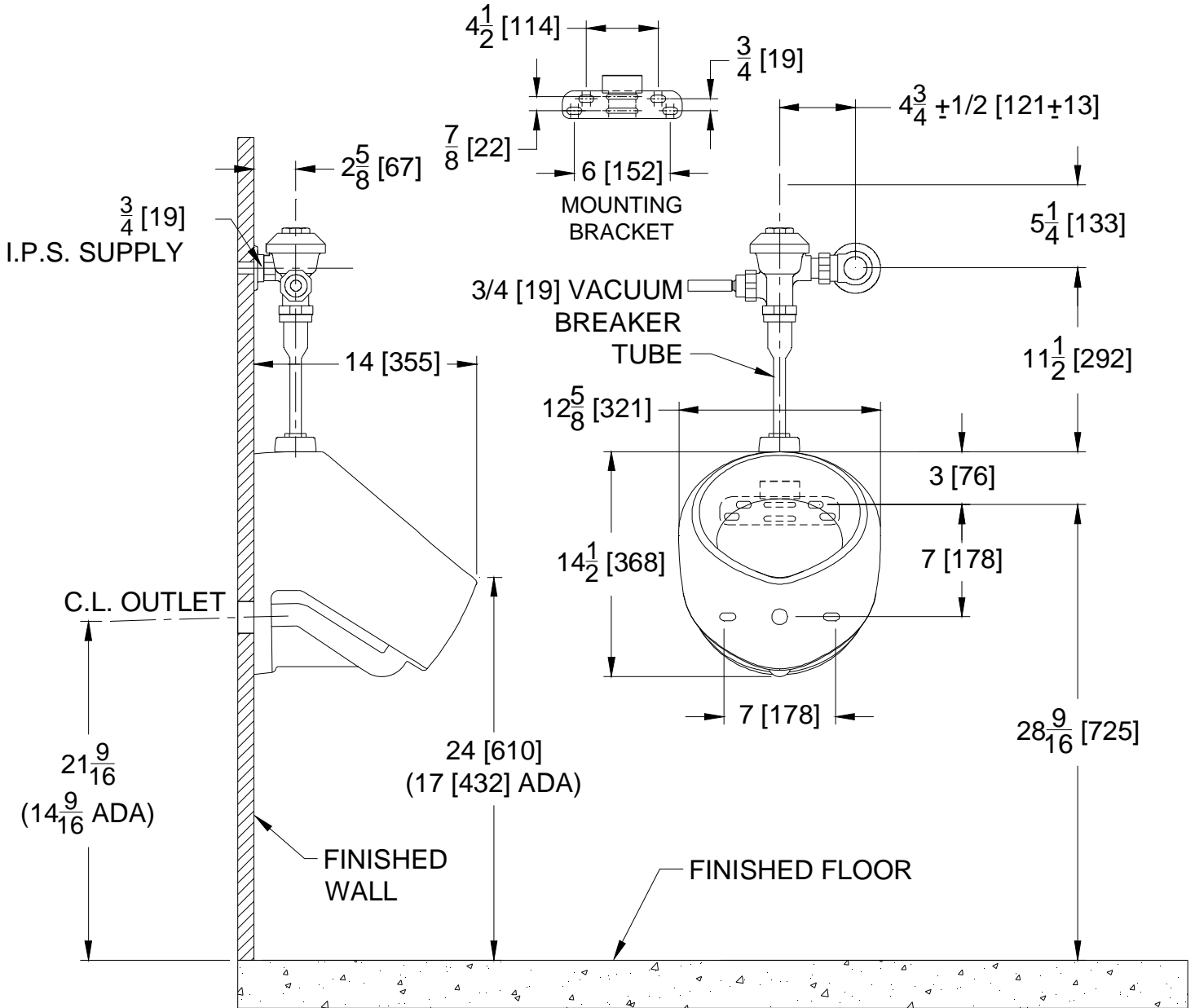


# Z5708.207.00

## "Nano Pint®" 1/8 gpf, EcoVantage®, Ultra Low Consumption, Urinal System Rough-In

TAG \_\_\_\_\_

Rough-in dimensions for Z5708.207.00 Series  
\*Z5708 with top spud



*These dimensions and specifications are subject to change without notice.*

Fixture dimensions meet ANSI/ASME standard A112.19.2 and CAN/CSA B45 requirements.

Meets the American Disabilities Guidelines and ANSI A117.1 requirements when urinal is installed 17" [432 mm] from finished floor.



**ZURN INDUSTRIES, LLC. ♦ COMMERCIAL BRASS OPERATION ♦ 5900 ELWIN BUCHANAN DRIVE ♦ SANFORD NC 27330**

Phone: 1-800-997-3876 ♦ Fax: 919-775-3541 ♦ World Wide Web: [www.zurn.com](http://www.zurn.com)

In Canada: **ZURN INDUSTRIES LIMITED ♦ 3544 Nashua Drive ♦ Mississauga, Ontario L4V1L2 ♦ Phone: 905-405-8272 Fax: 905-405-1292**

EcoVantage® and "The Pint®" are a registered trademarks of Zurn Industries, LLC.

REV.

DWG. NO. 200341

DATE: 1/22/10

PRODUCT NO. Z5708.207.00