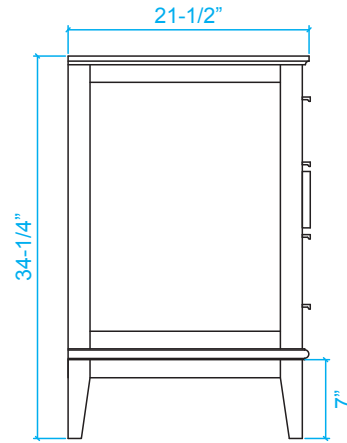
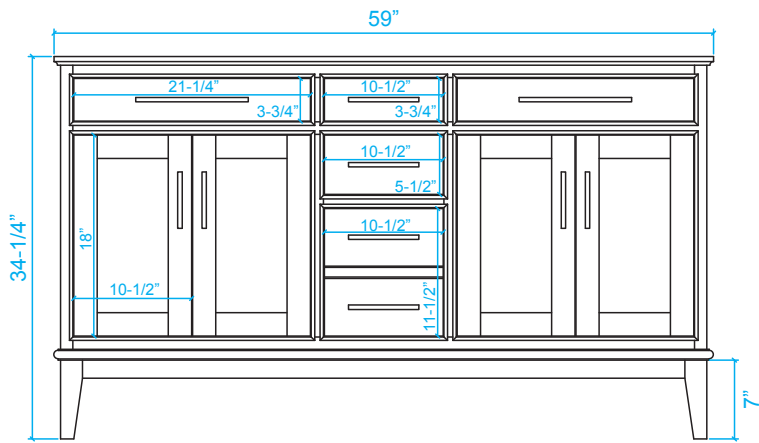
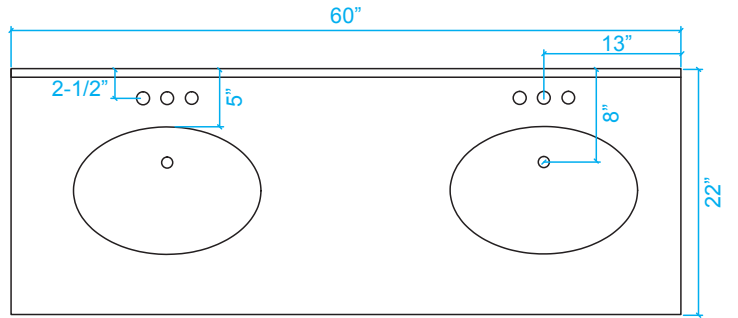
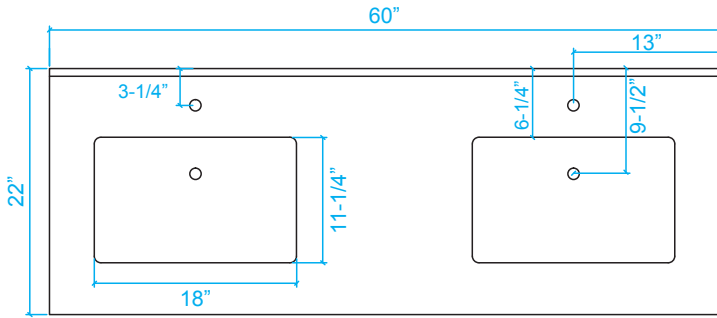


WYNDHAM COLLECTION



WC-1616-60-DBL