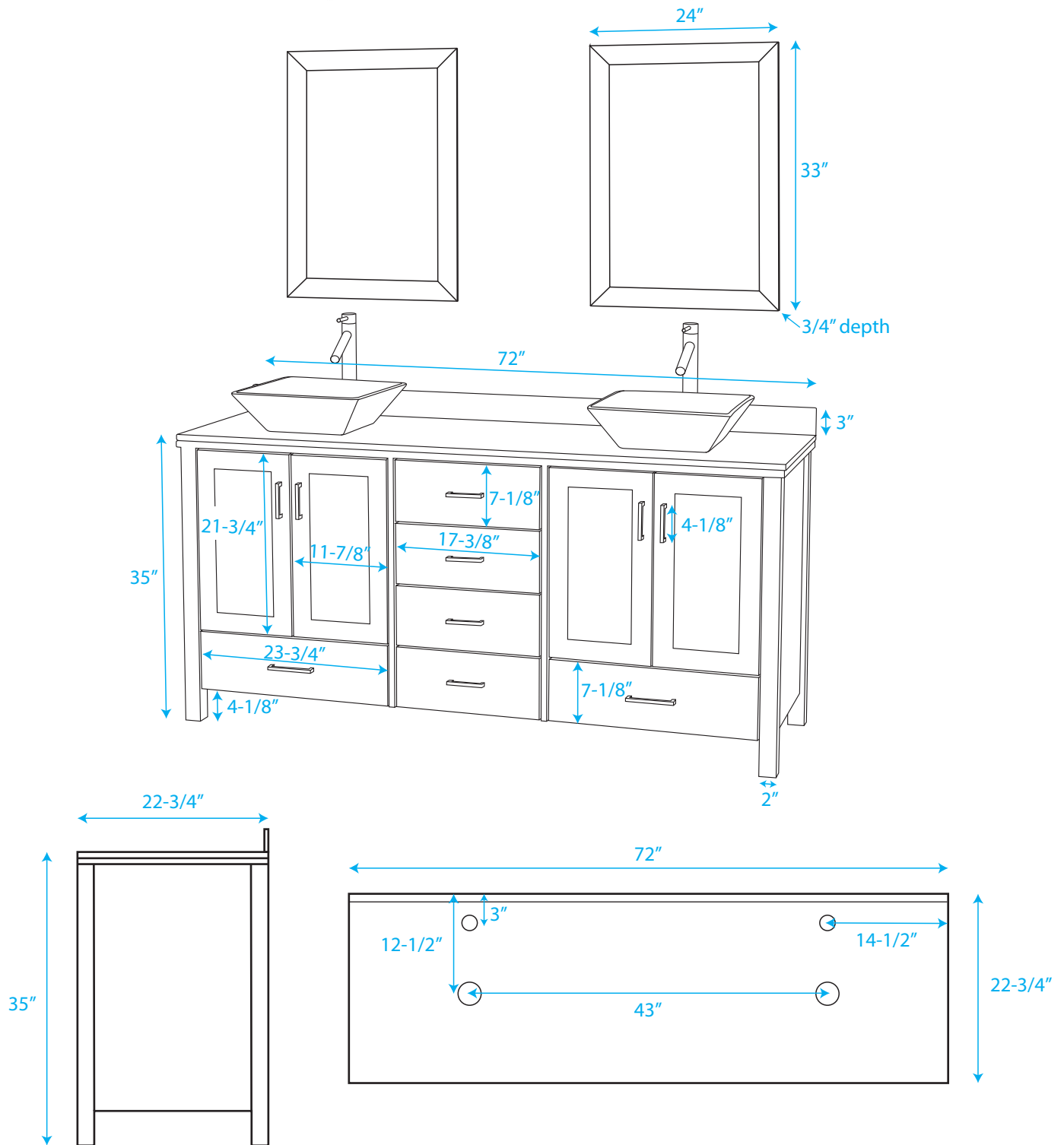


# WYNDHAM COLLECTION



WC-MS015-72  
OVERMOUNT