

THIS SPACE FOR DESIGNER/ ENGINEER APPROVAL

Job/Customer _____ Date _____ Contractor _____

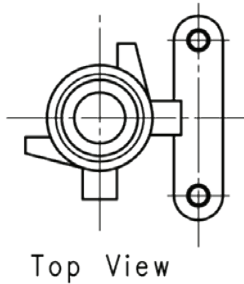
Model Specified _____ Qty _____ Approved By _____

Designer/Engineer _____ Date _____ Contractor's PO# _____

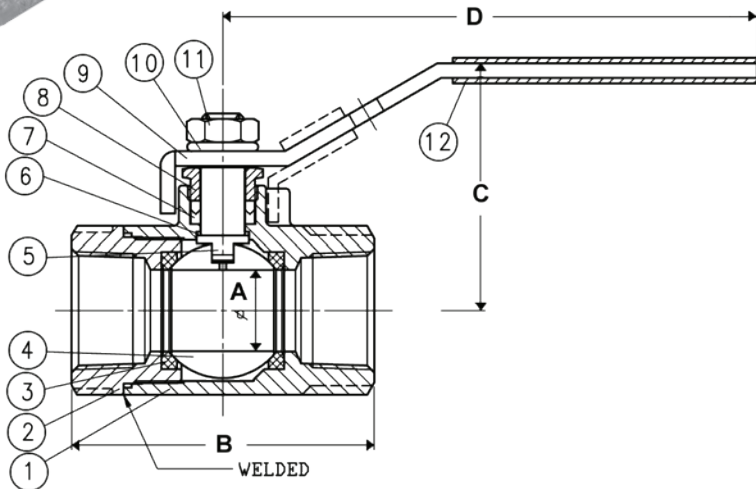
Submitted by _____ Date _____ Other _____

4371 Series FULL PORT 316 STAINLESS STEEL BALL VALVES SEAL WELDED W/ 304 STAINLESS STEEL LOCKING HANDLE IPS - 2000 WOG

ITEM #	SIZE	P/CARTON	P/CASE	A	B	C	D
43710	1/4"	12	48	3/8	2 1/16	1 3/4	4 3/8
43712	1/2"	10	30	1/2	2 3/8	1 3/4	4 3/8
43713	3/4"	9	27	11/16	3 1/4	2 1/2	5 15/16
43714	1"	6	18	7/8	3 5/8	2 3/4	7 3/4
43715	1 1/4"	2	8	1	3 9/16	2 7/8	7 9/16
43716	1 1/2"	2	8	1 1/4	4 1/16	3 1/16	7 9/16
43717	2"	2	6	1 1/2	5 1/8	4 3/8	8



NO.	DESCRIPTION	MATERIAL
1	BODY	STAINLESS STEEL CF8M
2	END CAP	STAINLESS STEEL CF8M
3	SEAT	PTFE
4	BALL	STAINLESS STEEL CF8M / 316
5	STEM	STAINLESS STEEL 316
6	GASKET	PTFE
7	STEM SEAL	PTFE
8	PACKING GLAND	STAINLESS STEEL 304
9	HANDLE	STAINLESS STEEL 304
10	WASHER	STAINLESS STEEL 304
11	HANDLE NUT	STAINLESS STEEL 304
12	HANDLE JACKET	VINYL



TEMP °F	WOG
100	2000
150	2000
200	2000
250	2000
300	2000
350	N/A
366	N/A

Specifications: Designed for commercial and industrial use with a broad range of fluid handling applications. This approved Webstone valve is actuated by a blowout proof stem and features an adjustable packing nut with locking device. Threaded ends comply with ANSI B1.20.1

Webstone Company, Inc.
www.webstonevalves.com

Quality and Commitment Since 1954

Tel: (800) 225-9529 • Fax (800) 336-5133

Webstone product specifications in U.S. customary units are approximate and are provided for reference only. Webstone reserves the right to change or modify product design, construction, specifications or materials without prior notice and without incurring any obligation to make such changes and modifications on Webstone products previously or subsequently sold.

4371Spec_061709