

# THIS SPACE FOR DESIGNER/ ENGINEER APPROVAL

Job/Customer \_\_\_\_\_ Date \_\_\_\_\_ Contractor \_\_\_\_\_

Model Specified \_\_\_\_\_ Qty \_\_\_\_\_ Approved By \_\_\_\_\_

Designer/Engineer \_\_\_\_\_ Date \_\_\_\_\_ Contractor's PO# \_\_\_\_\_

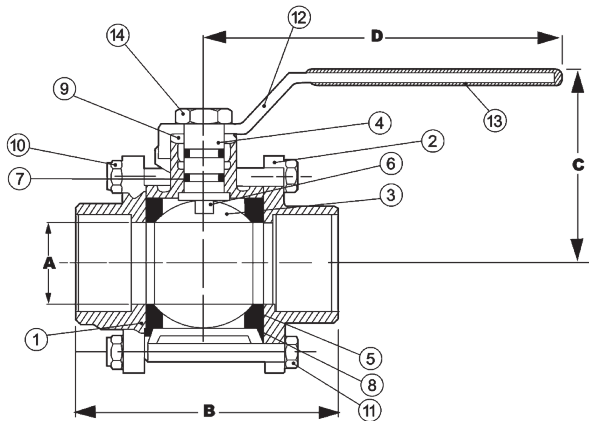
Submitted by \_\_\_\_\_ Date \_\_\_\_\_ Other \_\_\_\_\_

## 4350 Series FULL PORT B62 BRONZE BALL VALVES 3 PIECE DESIGN W/ 304 STAINLESS STEEL HANDLE IPS 600 WOG / 150 WSP - ISO 9001:2008

ITEM #	SIZE	P/CARTON	P/CASE	A	B	C	D	C <sub>v</sub>
43502	1/2"	5	50	1/2	2 5/8	1 3/8	3 7/8	11.5
43503	3/4"	6	36	3/4	3 1/16	2	3 7/8	27.0
43504	1"	4	24	1	3 9/16	2 1/2	4 7/8	49.3
43505	1 1/4"	3	18	1 1/4	4	2 3/4	4 7/8	114.0
43506	1 1/2"	2	12	1 1/2	4 1/4	3 1/4	6	161.3
43507	2"	2	8	2	5 1/4	3 5/8	6	248.6



NO.	DESCRIPTION	MATERIAL
1	BODY	BRONZE
2	END CAP	BRONZE
3	BALL	BRASS HCP
4	STEM	BRASS
5	SEAT	PTFE
6	THRUST WASHER	PTFE
7	O-RING	NBR
8	O-RING	NBR
9	GLAND	BRASS
10	CAP NUT	STEEL
11	CAP BOLT	STEEL
12	LEVER HANDLE	304 STAINLESS STEEL
13	HANDLE GRIP	VINYL
14	HANDLE NUT	STEEL



TEMP °F	WOG
100	600
150	490
200	470
250	439
300	411
350	294
366	N/A

Specifications: Designed for residential and industrial use with a broad range of fluid handling applications. This approved Webstone Valve is actuated by a blowout proof stem with a seal that features an adjustable packing nut. The 3 piece design makes in-line repair as easy as 1-2-3. Replacement seats and seals are always in stock and available. B62 bronze is recommended for marine applications. Threaded ends comply with ANSI B1.20.1

**Webstone** Company, Inc.  
www.webstonevalves.com

Quality and Commitment Since 1954

Tel: (800) 225-9529 • Fax (800) 336-5133

Webstone product specifications in U.S. customary units are approximate and are provided for reference only. Webstone reserves the right to change or modify product design, construction, specifications or materials without prior notice and without incurring any obligation to make such changes and modifications on Webstone products previously or subsequently sold.

4350spec\_102009