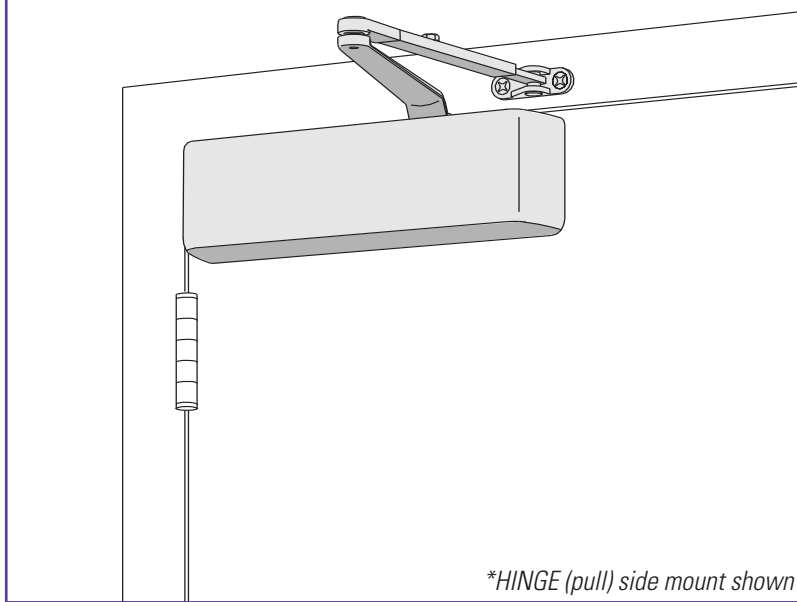


# LCN 4040 SERIES

FEATURES

**CLOSER MOUNTS**  
**\*HINGE (PULL) SIDE**  
**TOP JAMB (PUSH SIDE)**  
**PARALLEL ARM (PUSH SIDE)**



*\*HINGE (pull) side mount shown*

*The 4040 SUPER SMOOTHIE® is LCN's most flexible heavy duty closer designed for institutional and other rugged high traffic applications.*

- ▶ **Ten Million Cycles**
- ▶ **Cast Iron**
- ▶ **Forged Steel Arm**
- ▶ **Double Heat Treated Steel Pinion**
- ▶ **All Weather Fluid**
- ▶ **Non-Handed**
- ▶ **LCN® Fast™ Power Adjust**
- ▶ **Fast & Accurate Installation**
- ▶ **UL & ULC Listed**

- ▶ Standard 4040 series closer shipped with regular arm, standard plastic cover, and self reaming and tapping screws. See 4040 Series pages 44 & 45 for options.
- ▶ Non-sized cylinder is adjustable for interior doors to 5'0" and exterior doors to 4'0".
- ▶ Closer mounts hinge side, top jamb, and parallel arm w/PA Shoe on either right or left swinging doors.
- ▶ Closers to meet ADA requirements. See 4040 Series page 46.
- ▶ Standard or optional custom powder coat finish.
- ▶ Optional plated finish on cover, arm, and fasteners.
- ▶ Optional SRI primer for installations in corrosive conditions.
- ▶ Optional designer series metal cover
- ▶ UL and ULC listed for self-closing doors without hold-open.
- ▶ Tested and certified under ANSI Standard A156.4, grade one.



MOUNTING					FINISH			COVER		CYLINDER				**ARM FUNCTION							
HINGE (PULL) SIDE	TOP JAMB (PULL)	TOP JAMB (PUSH)	PARALLEL ARM	STOP FACE	POWDER COAT	PLATED	PLASTIC	METAL	DESIGNER METAL	NON-HANDED	NON-SIZED	ACCESSIBILITY	DELAYED ACTION	AVB***	REGULAR (DOUBLE)	STANDARD (SINGLE)	HOLD-OPEN	FUSIBLE LINK	EDA/NEHA	CUSH/HCUSH	SCUSH/SHCUSH
●	○	●	●	○	●	●	●	●	●	●	♿	●	○	●	○	120	○	180	110	110	

● Available  
 ○ Not available  
 ♿ Closer available with less than 5.0 lbs. opening force on 36" door.  
 \*\*Maximum opening/hold-open point with standard template.  
 \*\*\* Advanced Variable Backcheck

# LCN 4040 SERIES

## MOUNTING DETAILS

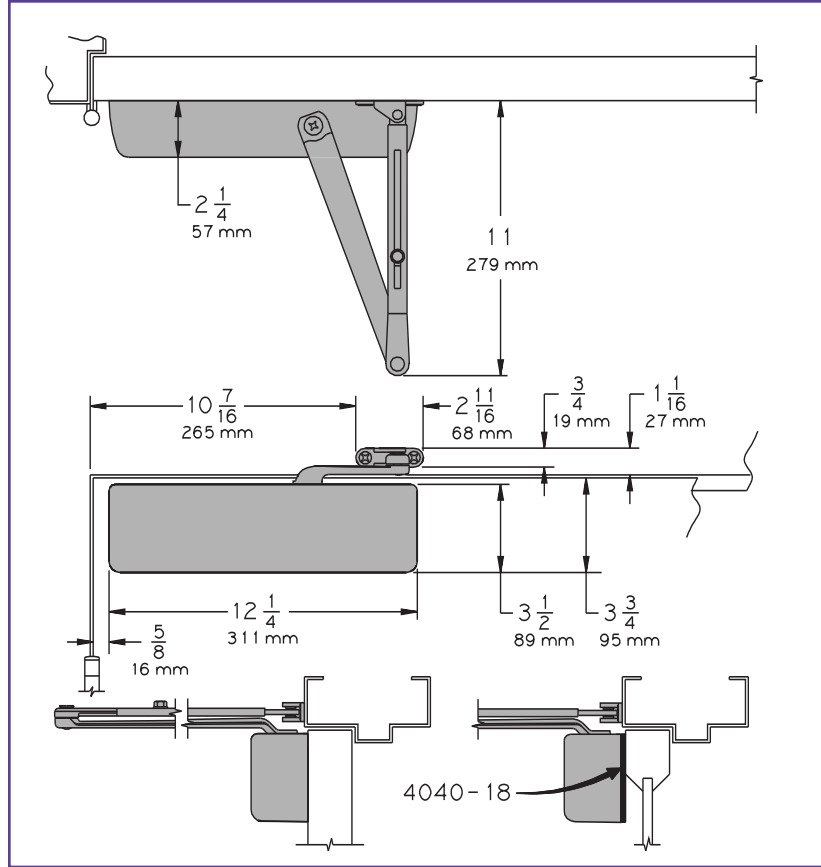
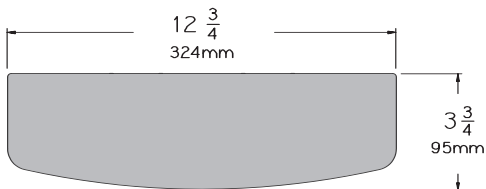
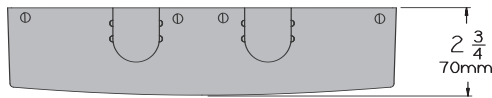
### HINGE (PULL) SIDE MOUNTING

#### MAXIMUM OPENING

Templating allows up to 120°.

Hold-open points 90° up to 120° with hold-open arm.

#### Optional, Non-handed Designer Series Metal Cover



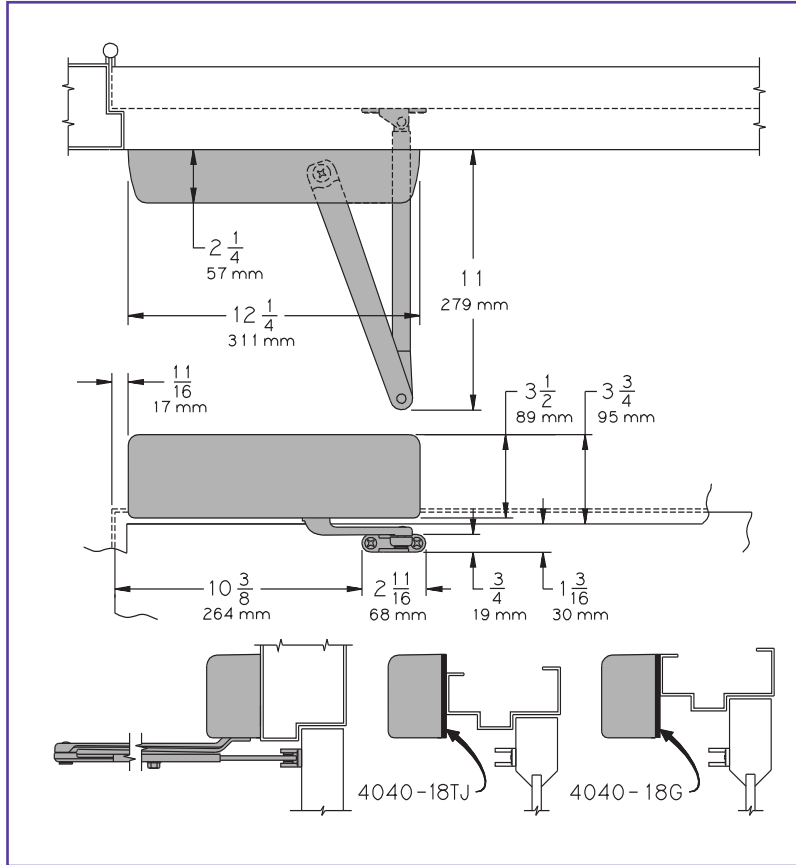
- ▶ **Butt Hinges** should not exceed 5" (127 mm) in width.
- ▶ **Auxiliary Stop** is recommended at hold-open point or where a door cannot swing beyond 120°.
- ▶ **Reveal** should not exceed 3/4" (19 mm) for regular arm or hold-open arm.
- ▶ **Top Rail** less than 3 3/4" (95 mm) requires PLATE, 4040-18. Plate requires 2" (51 mm) minimum. With Designer Series metal cover, use PLATE, 4040-18DS1
- ▶ **Clearance** of 2 3/8" (60 mm) behind door required for 90° installation. 2 7/8" (73 mm) for Designer Series metal covers
- ▶ **Delayed Action** Add suffix "DEL" to selected cylinder (eg. 4041 DEL). Delays closing from 120° to 70°. Delay time adjustable up to approximately 1 minute.
- ▶ **Bull Nose Trim** requires SOFFIT SHOE, 4040-65.
- ▶ **Corner Bracket** available for doors where top jamb or parallel arm mounting can not be used. 4040-16 allows 110° opening. Projects 5" (127 mm) from stop, 12 13/16" (325 mm) from frame. 4040-17 allows 100° opening with certain auxiliary door holders (consult factory). Projects 6 3/8" (162 mm) from stop, 13 11/16" (348 mm) from frame.

#### Options

- ▶ Delayed action cylinder.
- ▶ Hold-open arm.
- ▶ Metal or lead lined cover.
- ▶ Corner bracket.
- ▶ Designer Series metal cover.

#### Special Templates

Customized installation templates or products may be available to solve unusual applications. Contact LCN for assistance.



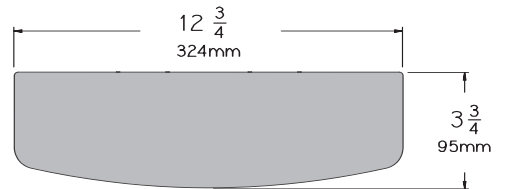
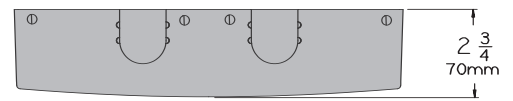
## TOP JAMB (PUSH SIDE) MOUNTING

### MAXIMUM OPENING

Templating allows up to 120°.

Hold-open points 85° up to 120° with hold-open arm.

### Optional, Non-handed Designer Series Metal Cover



- ▶ **Butt Hinges** should not exceed 5" (127 mm) in width.
- ▶ **Auxiliary Stop** is recommended at hold-open point or where the door cannot swing 120°.
- ▶ **Reveal** of 2 9/16" (65 mm) allows 120° opening for REGULAR ARM or standard HOLD-OPEN ARM. 4 13/16" (122 mm) allows up to 120° opening with LONG ARM where standard rod and shoe is replaced with optional LONG ROD AND SHOE 4040-79LR. Use H-LONG ARM with LONG HEAD AND TUBE, 4040-78HL for hold-open. 8" (203 mm) allows up to 120° opening with EXTRA LONG ARM where standard rod and shoe is replaced with optional EXTRA LONG ROD AND SHOE, 4040-79ELR.
- ▶ **Top Rail** requires 1 1/4" (32 mm) minimum.  
2 1/4" (57 mm) minimum with closer on PLATE, 4040-18TJ.  
3" (76 mm) minimum with closer on PLATE, 4040-18G. With Designer Series metal cover, use PLATE, 4040-18TJDS1
- ▶ **Head Frame** less than 3 1/2" (89 mm) requires PLATE, 4040-18TJ.  
With flush ceiling, use PLATE, 4040-18G.  
Either plate requires 1 3/4" (44 mm) minimum.
- ▶ **Delayed Action** Add suffix "DEL" to selected cylinder (eg. 4041 DEL).  
Delays closing from 120° to 80°.  
Delay time adjustable up to approximately 1 minute.

### Options

- ▶ Delayed action cylinder.
- ▶ Long arm, extra long arm, hold-open arm, long hold-open arm.
- ▶ Metal or lead lined cover.
- ▶ Designer Series metal cover.

### Special Templates

Customized installation templates or products may be available to solve unusual applications. Contact LCN for assistance.

# LCN 4040 SERIES

## MOUNTING DETAILS

### PARALLEL ARM (PUSH SIDE) MOUNTING

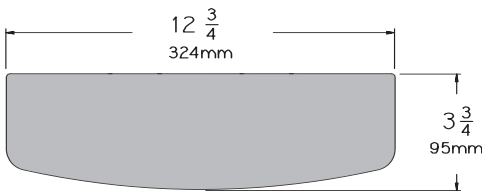
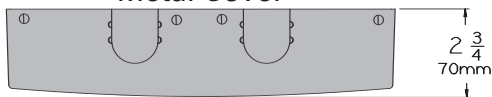
Optional mounting requires PA SHOE, 4040-62PA for REGULAR or HOLD-OPEN arms. Add prefix "P" to closer description (eg. P4041). P4041 closer includes 4040-201 FIFTH HOLE SPACER to support PA SHOE.

### MAXIMUM OPENING

180° opening/hold-open points with all except CUSH arms.

110° opening/hold-open with CUSH arms.

#### Optional, Non-handed Designer Series Metal Cover

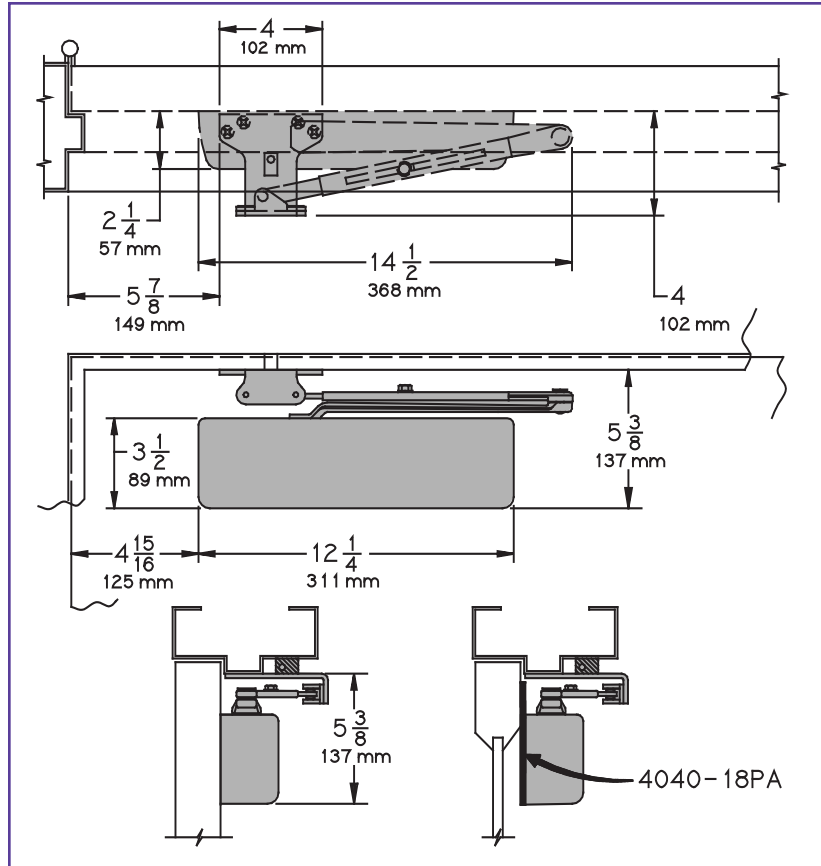


#### Options

- ▶ Delayed action cylinder.
- ▶ Hold-open, EDA, HEDA, CUSH, HCUSH, SPRING CUSH, or SPRING HCUSH arm.
- ▶ Metal or lead lined cover.
- ▶ Designer Series metal cover.

#### Special Templates

Customized installation templates or products may be available to solve unusual applications. Contact LCN for assistance.

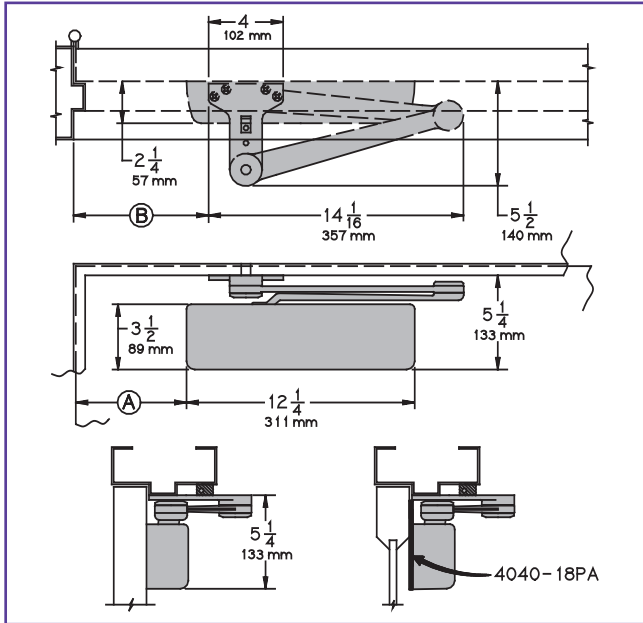


### 4040 REGULAR or HOLD-OPEN MOUNT

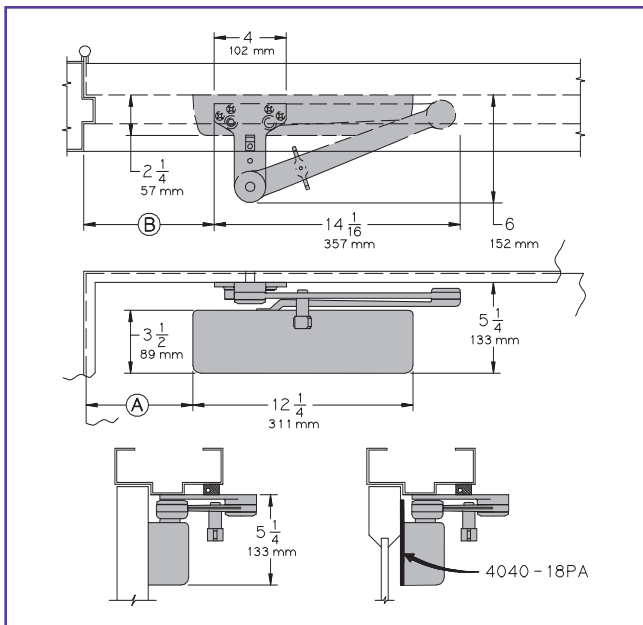
- ▶ **Butt Hinges** should not exceed 5" (127 mm) in width.
- ▶ **Auxiliary Stop** is recommended at hold-open point, where the door cannot swing 180°, or where CUSH-N-STOP arm is not used.
- ▶ **Clearance** for 4040-62PA shoe is 4" (102 mm) from door face. EDA shoe projects 5 1/2" (140 mm) from door face. CUSH shoe projects 6" (152 mm) from door face.
- ▶ **Top Rail** less than 5 3/8" (137 mm) measured from the stop requires PLATE, 4040-18PA. Plate requires 2" (51 mm) minimum from the stop. With Designer Series metal cover, use PLATE, 4040-18PADS1
- ▶ **Head Frame** flush or rabbeted requires PA SHOE ADAPTER, 4040-418.
- ▶ **Stop Width** minimum 1" (25 mm). CUSH arm requires minimum 1 1/2" (38 mm).
- ▶ **Blade Stop** clearance requires 1/2" (13mm) BLADE STOP SPACER, 4040-61.
- ▶ **Delayed Action** Add suffix "DEL" to selected cylinder (eg. P4041 DEL). Delays time adjustable up to approximately 1 minute.

# LCN 4040 SERIES

## 4040 EDA MOUNT



## 4040 CUSH MOUNT



- ▶ **Clearance** for 4040-62EDA is 5 1/2" (140 mm) from door face. 6" (152 mm) for CUSH.
- ▶ **Head Frame** flush or rabbeted requires CUSH FLUSH PANEL ADAPTER, 4040-419.
- ▶ **CUSH ARM** requires SHOE SUPPORT, 4040-30 for fifth screw anchorage for narrow frames.
- ▶ **Delayed Action** Add suffix "DEL" to selected cylinder (eg. 4041 DEL). Delays closing from maximum opening to:
  - 115° with 180° template.
  - 95° with 110° template.
  - 85° with 100° template.
  - 75° with 90° template.
 Delay time adjustable up to approximately one minute.

Mounting details are the same as 4040 REGULAR or HOLD-OPEN except as listed below. 4040 closers ordered with EDA or CUSH arms include 4040-201 FIFTH HOLE SPACER to support the shoe.

### MAXIMUM OPENING

EDA arm can be templated for points at: 110°,

Ⓐ = 6 3/8" (162 mm)

Ⓑ = 7 3/4" (197 mm)

or 180°.

Ⓐ = 2 7/8" (73 mm)

Ⓑ = 4 1/4" (108 mm)

Hold-open points up to maximum opening with HEDA arm.

CUSH arms can be templated for opening/hold-open point at: 85°,

Ⓐ = 7 15/16" (202 mm)

Ⓑ = 9 1/8" (232 mm)

90°,

Ⓐ = 7 3/16" (183 mm)

Ⓑ = 8 1/2" (216 mm)

100°,

Ⓐ = 6 1/16" (154 mm)

Ⓑ = 7 1/4" (184 mm)

or 110°.

Ⓐ = 5 1/16" (129 mm)

Ⓑ = 6 3/8" (162 mm)

Spring Cush dead stop points are approximately 5° more than templated stop point. Hold open at templated stop points.

# LCN 4040 SERIES

## CYLINDERS

### CYLINDER, 4041-3071

Standard, non-handed cast iron cylinder assembly.

## COVERS

### COVER, 4040-72

Standard, non-handed plastic cover.

### METAL COVER, 4040-72MC

Optional, handed cover. Required for plated finishes and custom powder coat finishes.

### LEAD LINED COVER, 4040-72LL

Optional non-handed cover.

### DESIGNER SERIES METAL COVER, 4040-72DS1

Optional, non-handed designer series metal cover.

## ARMS

### REGULAR ARM, 4040-3077

Non-handed arm mounts pull side or top jamb with shallow reveal. P4041 closer includes PA SHOE, 4040-62PA required for parallel arm mounting.

### PA SHOE, 4040-62PA

Required for parallel arm mounting.

### LONG ARM, 4040-3077L

Optional non-handed arm includes LONG ROD AND SHOE, 4040-79LR for top jamb mount.

### EXTRA LONG ARM, 4040-3077ELR

Optional non-handed arm includes EXTRA LONG ROD AND SHOE, 4040-79ELR for top jamb mount with deep reveal.

### HOLD-OPEN ARM, 4040-3049

Optional, non-handed arm mounts pull side or top jamb with shallow reveal, hold-open adjustable shoe. P4041 closer includes 4040-62PA shoe required for parallel arm mounting.

### LONG HOLD-OPEN ARM, 4040-3049L

Optional non-handed arm includes LONG HEAD AND TUBE, 4040-3048L for top jamb mount.

### EXTRA DUTY ARM, 4040-3077EDA

Optional, non-handed parallel arm features forged, solid steel main and forearm for potentially abusive installations.

Optional THICK HUB SHOE, 4040-62G for blade stop clearance.

Optional FLUSH TRANSOM SHOE, 4040-145 for single rabbeted installations. Optional shoes require special templating.

### HOLD-OPEN EXTRA DUTY ARM, 4040-3049EDA

Optional handed arm provides hold-open function, adjustable at the shoe.

### CUSH-N-STOP® ARM, 4040-3077CNS

Optional, non-handed parallel arm features solid forged steel main arm and forearm with stop in soffit shoe.

### HCUSH ARM, 4040-3049CNS

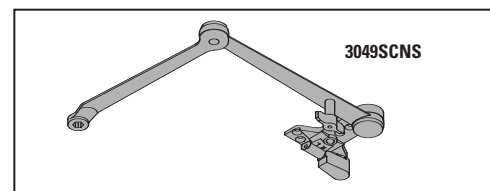
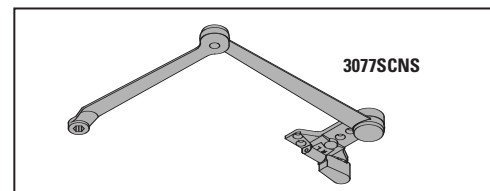
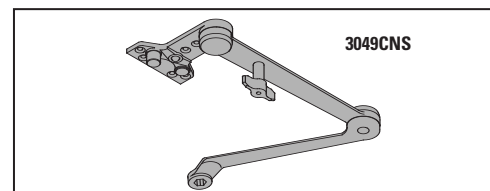
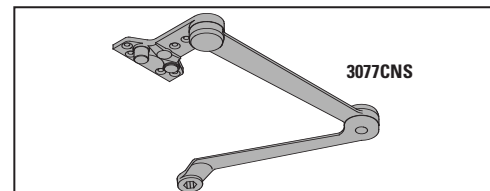
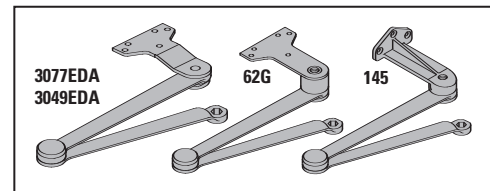
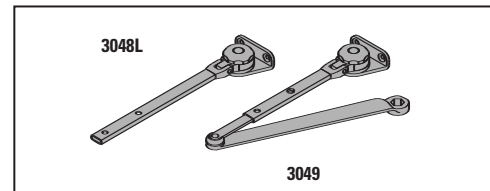
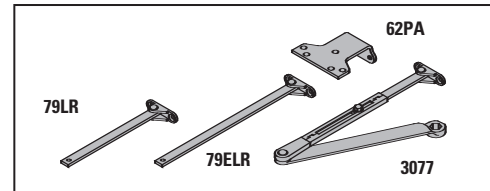
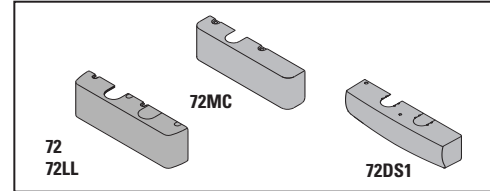
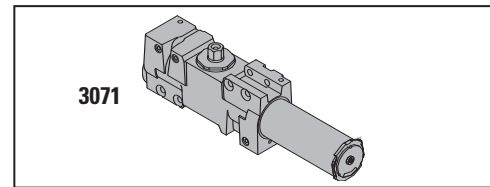
Provides hold-open function with templated stop/hold-open points. Handle controls hold-open function.

### SPRING CUSH ARM, 4040-3077SCNS

Optional, non-handed parallel arm for abusive applications features solid forged steel main arm and forearm with spring loaded stop in the soffit shoe.

### SPRING HCUSH ARM, 4040-3049SCNS

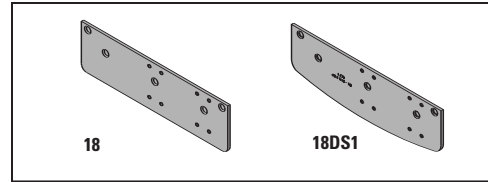
Optional, non-handed parallel arm for abusive applications features solid forged steel main arm and forearm with spring loaded stop in the soffit shoe. Handle controls hold-open function.



## INSTALLATION ACCESSORIES

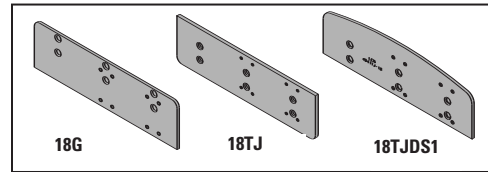
### PLATE, 4040-18/4040-18DS1

Required for hinge side mount where top rail is less than 3 3/4" (95 mm). Plate requires minimum 2" (51 mm) minimum top rail. With Designer Series metal cover, use PLATE, 4040-18DS1



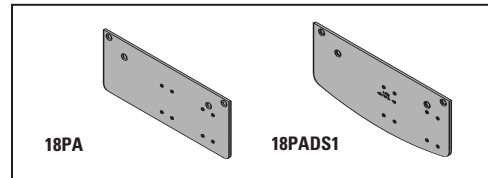
### PLATE, 4040-18G

Locates top jamb mounted closer flush with top of head frame face in flush ceiling condition. Plate requires 1 3/4" (44 mm) minimum head frame.



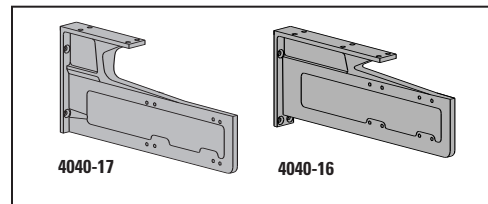
### PLATE, 4040-18TJ/4040-18TJDS1

Centers top jamb mounted closer vertically on head frame where face is less than 3 1/2" (89 mm). Plate requires 1 3/4" (44 mm) minimum head frame. With Designer Series metal cover, use PLATE, 4040-18TJDS1



### PLATE, 4040-18PA/4040-18PADS1

Required for parallel arm mounting where top rail is less than 5 1/2" (140 mm), measured from the stop. Plate requires 2" (51 mm) minimum top rail. With Designer Series metal cover, use PLATE, 4040-18PADS1

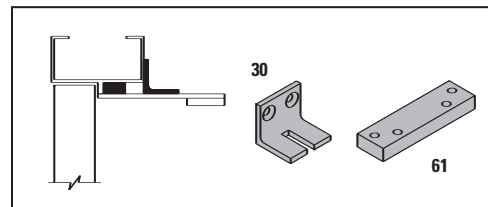


### CORNER BRACKET, 4040-17

Designed to lower closer for clearance of certain auxiliary holders (consult factory).

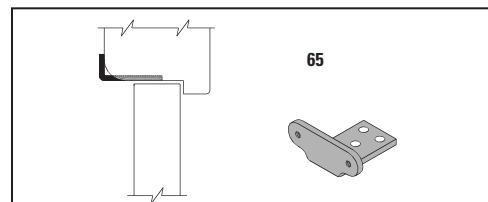
### CORNER BRACKET, 4040-16

For doors where top jamb or parallel arm mounting cannot be used (consult factory).



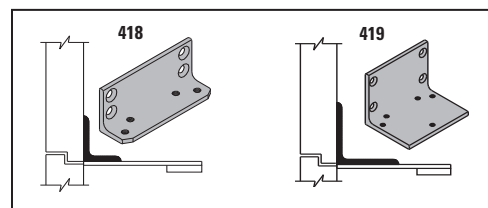
**CUSH SHOE SUPPORT, 4040-30** provides anchorage for fifth screw used with CUSH arms, where reveal is less than 3 1/16" (78 mm).

**BLADE STOP SPACER, 4040-61** required to lower parallel arm shoe to clear 1/2" (13 mm) blade stop.



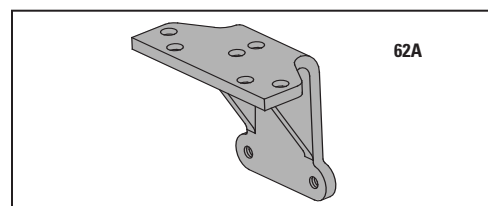
**SOFFIT SHOE, 4040-65** adapts hinge side shoe to rounded or bull nose trim.

**PA SHOE ADAPTER, 4040-418** provides horizontal mounting surface for parallel arm shoe on single rabbetted or flush frame.



**CUSH FLUSH PANEL ADAPTER, 4040-419** provides horizontal mounting surface for CUSH shoe on single rabbetted or flush frame.

**AUXILIARY SHOE, 4040-62A** requires a top rail of 7" (178 mm). Optional shoe replaces -62PA for parallel arm mounting of regular arm with overhead holder/stop. Special template required.



# LCN 4040 SERIES

## TABLE OF SIZES

4041 cylinder is adjustable from size 1 through size 6 and is shipped set to size 3.

Closing power of 4040 series closers may be adjusted 50%.

→ Indicates recommended range of door width for closer size.

### EXTERIOR (and VESTIBULE) DOOR WIDTH

	24" 610mm	30" 762mm	36" 914mm	42" 1067mm	48" 1219mm
	size 3	size 4	size 5	size 6	
*4041	→				
Minimum Door Width					


### INTERIOR DOOR WIDTH

	24" 610mm	34" 864mm	38" 965mm	48" 1219mm	54" 1372mm	60" 1524mm
	size 2	size 3	size 4	size 5	size 6	
*4041	→					
Minimum Door Width	* Adjustable Size 1 thru 6					

## REDUCED OPENING FORCE 4040 CLOSERS

**CAUTION!** Any manual door closer, including those certified by BHMA to conform to ANSI Standard A156.4, that is selected, installed and adjusted based on ADA or other reduced opening force requirements may not provide sufficient power to reliably close and latch a door.

Refer to POWER OPERATORS section for information on systems that meet reduced opening force requirements without effecting closing power.

	DOOR WIDTH	36"	42"	48"
	8.5* lbs.	4041	4041	4041
	5.0* lbs.	4041	4041	4041

\* Maximum opening force

## HOW-TO-ORDER 4040 SERIES CLOSERS

### 1. SELECT FINISH.

- Standard Powder Coat \_\_\_\_\_  
Aluminum, Dark Bronze, Tan, Statuary, Light Bronze, Black, Brass.

### Closer will be shipped with:

- STANDARD COVER,
- REGULAR ARM,
- SELF-REAMING and TAPPING SCREWS,
- unless options listed below are selected.

## CLOSER OPTIONS

### CYLINDER

- Delayed Action (DEL)

### COVER

- Lead Lined (LL)
- Metal (specify right or left hand) (MC)
- Designer Series Metal (non-handed) (DS1)

### FINISH

- Custom Powder Coat (RAL) \_\_\_\_\_  
(handed metal cover required)
- Plated Finish, US \_\_\_\_\_  
(handed metal cover required)
- SRI primer

### ARM

- Regular w/62PA (Rw/PA)
- Regular w/62A (R/62A)
- Long (LONG)
- Extra Long (XLONG)
- Hold-Open (H)
- Hold-Open w/62PA (Hw/PA)
- Long Hold-Open (HLONG)
- EDA (optional -62G or -145)
- HEDA (specify right or left hand, optional-62G or -145)
- Cush-N-Stop (CUSH)
- HCush-N-Stop (HCUSH)
- Spring Cush (SCUSH)
- Spring HCush (SHCUSH)

### OPTIONAL SCREW PACKS

- TB\* w/Self-Reaming and Tapping (TBSRT)
- Wood & Machine Screw (WMS)
- TB\*, Wood & Machine Screw (TBWMS)
- TORX Machine Screw (TORX)
- TB\* & TORX Machine Screw (TBTRX)
- \* Specify door thickness if other than 1 3/4".

### INSTALLATION ACCESSORIES

- Plate, 4040-18
- Plate, 4040-18TJ
- Plate, 4040-18G
- Plate, 4040-18PA
- Plate, 4040-18DS1
- Plate, 4040-18TJDS1
- Plate, 4040-18PADS1
- CUSH Shoe Support, 4040-30
- Blade Stop Spacer, 4040-61
- Auxiliary Shoe, 4040-61
- Soffit Shoe, 4040-65
- PA Shoe Adapter, 4040-418
- CUSH Flush Panel Adapter, 4040-419

### SPECIAL TEMPLATE

- ST- \_\_\_\_\_