

# THIS SPACE FOR DESIGNER/ ENGINEER APPROVAL

Job/Customer \_\_\_\_\_ Date \_\_\_\_\_ Contractor \_\_\_\_\_

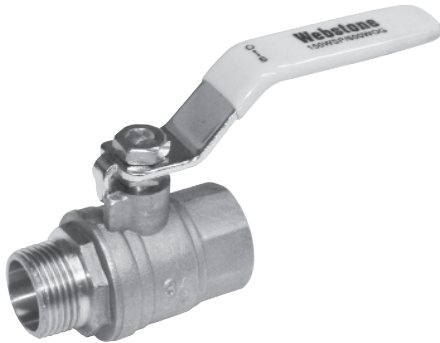
Model Specified \_\_\_\_\_ Qty \_\_\_\_\_ Approved By \_\_\_\_\_

Designer/Engineer \_\_\_\_\_ Date \_\_\_\_\_ Contractor's PO# \_\_\_\_\_

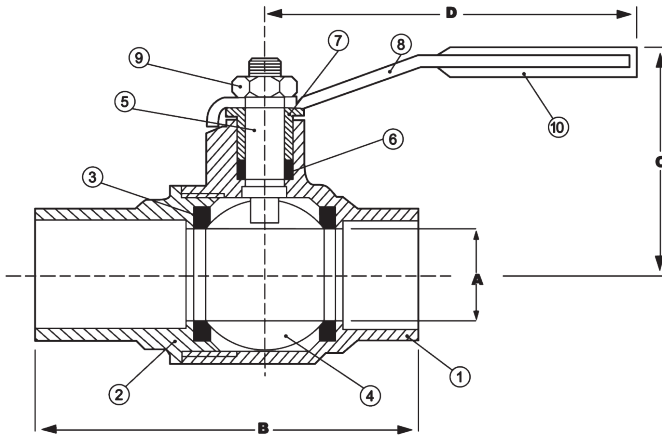
Submitted by \_\_\_\_\_ Date \_\_\_\_\_ Other \_\_\_\_\_

## 4053 Series FULL PORT FORGED BRASS BALL VALVES W/ REVERSIBLE HANDLE MIP x FIP 600 WOG / 150 WSP

ITEM #	SIZE	P/CARTON	P/CASE	A	B	C	D	Cv
40530	1/4"	12	96	1/4	2 1/16	1 5/8	3 1/2	7.8
40531	3/8"	12	96	3/8	2 1/16	1 3/4	3 5/16	7.8
40532	1/2"	12	96	1/2	2 5/16	1 7/8	3 1/2	11.5
40533	3/4"	8	48	3/4	2 1/16	2 1/16	3 3/4	27.1
40534	1"	6	48	1	3	2 1/2	4 7/16	49.3



NO.	DESCRIPTION	MATERIAL
1	BODY	BRASS
2	END CAP	BRASS
3	SEAT	PTFE
4	BALL	BRASS HCP
5	STEM	BRASS
6	STEM SEAL	PTFE
7	PACKING GLAND	BRASS
8	HANDLE	STEEL CP
9	HANDLE NUT	STEEL CP
10	HANDLE JACKET	VINYL



TEMP °F	WOG
100	600
150	490
200	470
250	439
300	411
350	294
366	N/A

Specifications: Designed for residential, commercial or industrial use with water, oil or gas. This approved Webstone Valve is actuated by a blowout proof stem and features an adjustable packing gland. Male x Female threads make this valve very economical in applications where a close nipple is needed. Threaded ends comply with ANSI B1.20.1

**Webstone** Company, Inc.  
www.webstonevalves.com

Quality and Commitment Since 1954

Tel: (800) 225-9529 • Fax (800) 336-5133

Webstone product specifications in U.S. customary units are approximate and are provided for reference only. Webstone reserves the right to change or modify product design, construction, specifications or materials without prior notice and without incurring any obligation to make such changes and modifications on Webstone products previously or subsequently sold.

4053spec\_101909