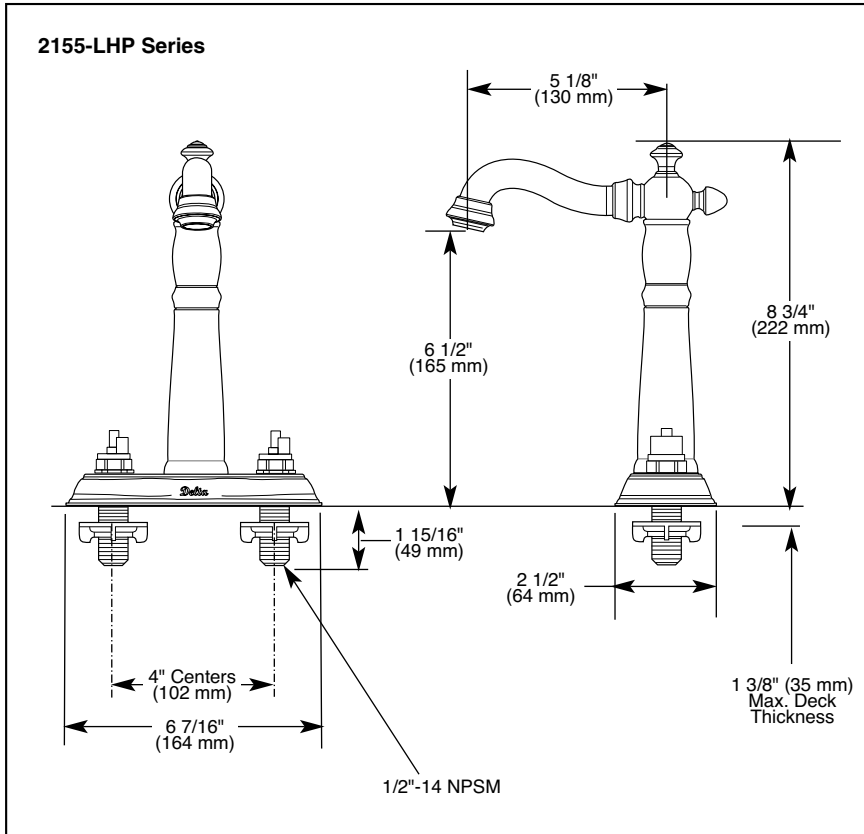


2155-LHP



Submitted Model No.: _____

Specific Features: _____



DELTA[®]

BAR FAUCETS

- Two Handle Deck Mount
- Victorian™ Series
- LHP-Less Handle Program
- 2 or 3 Hole Sink Applications
- 4" Centerset

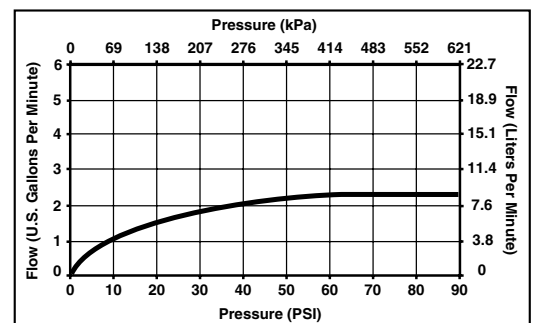


COMPLIES WITH:

- NSF 61
- ASME A112.18.1
- CSA B125
- Indicates ADA compliance to ICC/ANSI A117.1
- IAPMO Listed
- CSA Certified

STANDARD SPECIFICATIONS:

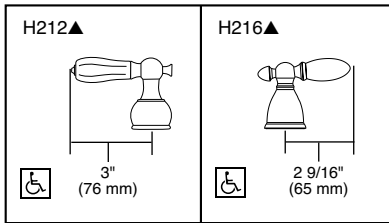
- Two handle bar deck faucets for exposed mounting on two or three hole sinks.
- 4" (102 mm) centerset.
- Solid brass fabricated body.
- 5 1/8" (130 mm) long, 8 3/4" (222 mm) overall height, 6 1/2" (165 mm) outlet height, spout swings 360°.
- LHP-Less Handle Program. See handle kit options on back.
- Hot and cold stems are interchangeable.
- 1/4 Turn stops
- Control mechanism shall be of the rotating cylinder type with stainless steel plate and 180° rotation, with replaceable non-metallic seats operating in stainless steel lined sockets.
- 1/2"-14 NPSM threaded male inlet shanks.



Standard Features	2155-LHP	2155-CBLHP	2155-RBLHP	2155-SSLHP
	Washerless	◆	◆	◆
Two or Three Hole Installation	◆	◆	◆	◆
4" (102 mm) Centerset	◆	◆	◆	◆
5 1/8" (130 mm) Long, 8 3/4" (222 mm) Overall Height, 6 1/2" (165 mm) Outlet Height, Spout Swings 360°	◆	◆	◆	◆
Less Handle Program See Handle Kit Options*	◆	◆	◆	◆
1/2"-14 NPSM Threaded Male Inlet Shanks	◆	◆	◆	◆
Chrome Finish	◆			
Chrome and <i>Brilliance</i> ® Polished Brass Finish		◆		
<i>Brilliance</i> ® Stainless Finish				◆
Venetian Bronze™ Finish			◆	

***Available LHP Handle Options**

▲ Specify Finish



Indianapolis, Indiana 46280
A Division of Masco Corporation of Indiana
© 2001 Masco Corporation of Indiana

DSP-K-2155-LHP