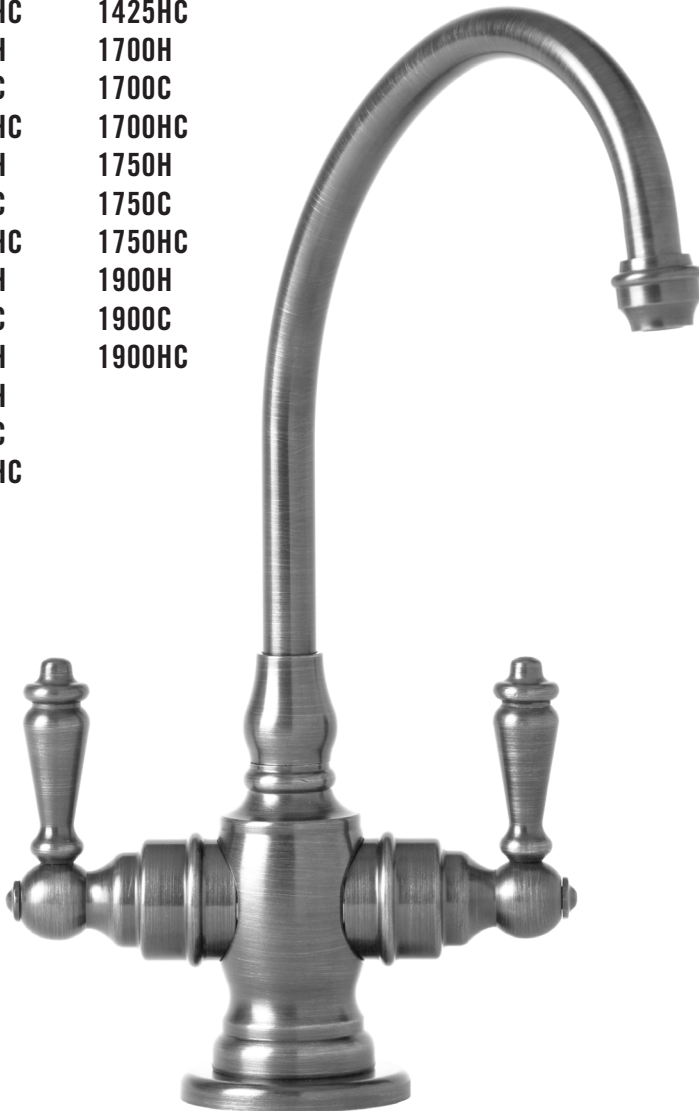




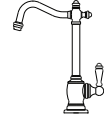
FILTRATION FAUCET INSTALLATION INSTRUCTIONS

Filtration Model #s:

- | | |
|--------|--------|
| 1100H | 1425H |
| 1100C | 1425C |
| 1100HC | 1425HC |
| 1150H | 1700H |
| 1150C | 1700C |
| 1150HC | 1700HC |
| 1200H | 1750H |
| 1200C | 1750C |
| 1200HC | 1750HC |
| 1250H | 1900H |
| 1250C | 1900C |
| 1250H | 1900HC |
| 1400H | |
| 1400C | |
| 1400HC | |



1100H



1100C



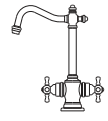
1100HC



1150H



1150C



1150HC



1200H



1200C



1200HC



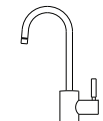
1250H



1250C



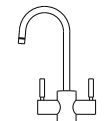
1250HC



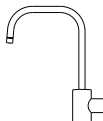
1400H



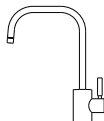
1400C



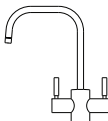
1400HC



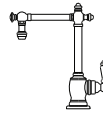
1425H



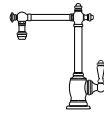
1425C



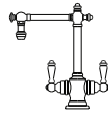
1425HC



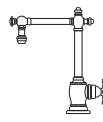
1700H



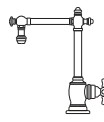
1700C



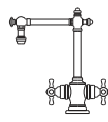
1700HC



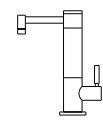
1750H



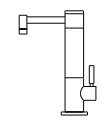
1750C



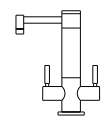
1750HC



1900H



1900C



1900HC

★ MADE IN AMERICA ★

BEFORE YOU BEGIN YOUR INSTALLATION:

1



Turn off water supply.

2



Observe all local plumbing codes.

3



Inspect waste and water supplies for signs of damage. Replace as necessary.

4



DO NOT use petroleum based products on this faucet.

REQUIRED TOOLS:



1. Adjustable Wrench

PARTS INCLUDED:

**XX represents finish*

COLD ONLY
HK-CFF-XX*
COLD ONLY FILTRATION
HARDWARE KIT

HOT ONLY
HK-FBF-XX*
HOT ONLY FILTRATION
HARDWARE KIT

HOT / COLD
HK-FBF-XX*
HOT/COLD FILTRATION
HARDWARE KIT

LIFETIME WARRANTY

All Waterstone products manufactured by Waterstone carry a **Limited Lifetime Guarantee** against functional defect in material or workmanship in a residential application. Consult with an authorized Waterstone dealer for complete information about our warranty.

WARNING - Since 2005, Waterstone has continued to advise all of our customers against the installation of any brand of in-line water chiller unit with our faucets. Compressor style chiller units have been proven to arbitrarily exceed the standard household in line pressure ratings causing the faucet inlet connection line to burst and create the potential for water damage claims in the field.

USE OF AN IN-LINE INSTALLATION OF A WATER CHILLER WITH A WATERSTONE FAUCET OF ANY KIND WILL VOID OUR WARRANTY.

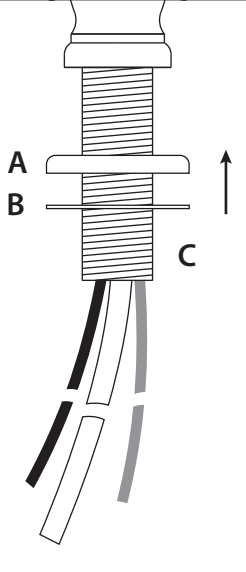
Waterstone can not and will not be held liable for damages created by a use for which our products were not designed. Waterstone will only recommend the installation of a water chiller in the vented side (in place of a hot tank) with one of our Hot or Hot & Cold Filtration faucet models.

For any questions or concerns about your faucet's warranty, contact Waterstone.

Waterstone Faucets
 41180 Raintree Court • Murrieta, CA 92562
 1-888-304-0660
 www.waterstoneco.com

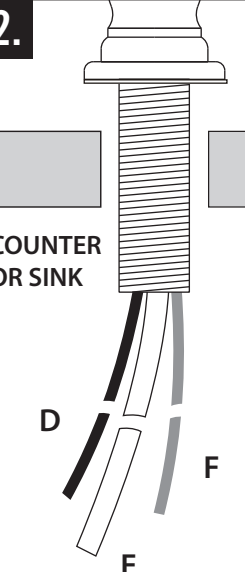
HOT AND COLD FILTRATION FAUCET INSTALLATION

1.



Slide escutcheon plate (A) and clear vinyl washer (B) onto threaded shroud (C) and up to base of faucet.

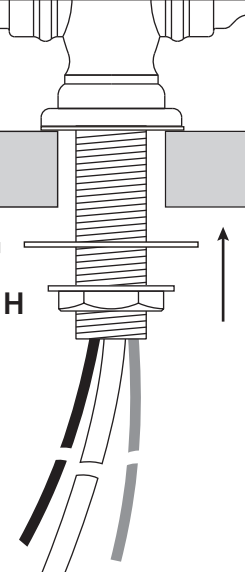
2.



COUNTER OR SINK

Fit flexible hoses (D, E, F) through hole on counter or sink. (*No plumbers putty is required. Vinyl washer seals base.*)

3.

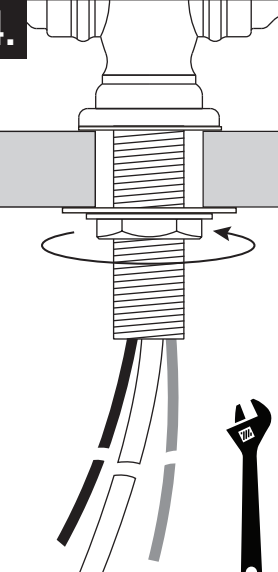


G

H

Slide washer (G) and thread the nut (H) onto threaded shroud. Hand tighten nut to underside of sink or counter.

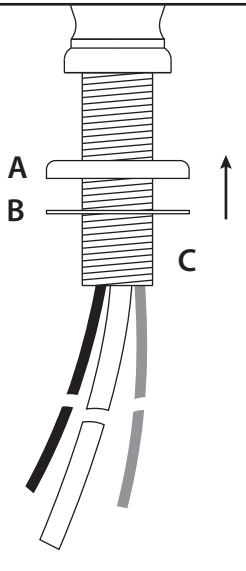
4.



Turn faucet to the desired handle position. Securely tighten nut with adjustable wrench.

HOT ONLY FILTRATION FAUCET INSTALLATION

1.



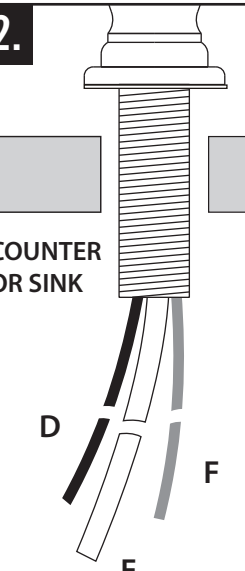
A

B

C

Install escutcheon (A) and clear vinyl washer (B) onto faucet shank (C).

2.



COUNTER OR SINK

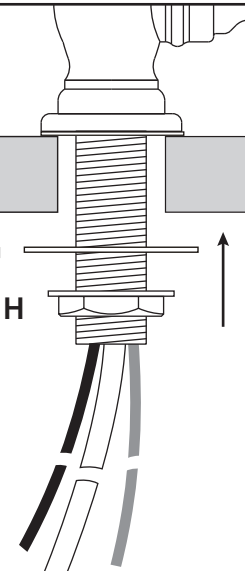
D

E

F

Fit flexible hoses (D, E, F) through hole on counter or sink. (*No plumbers putty is required. Vinyl washer seals base.*)

3.

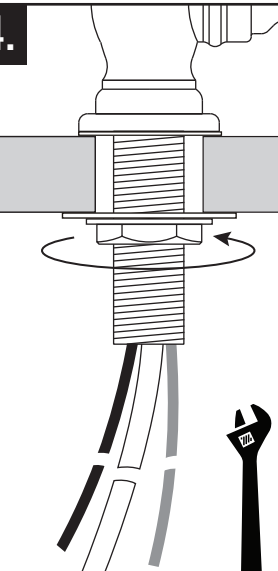


G

H

Slide washer (G) and thread the nut (H) onto threaded shroud. Hand tighten nut to underside of sink or counter.

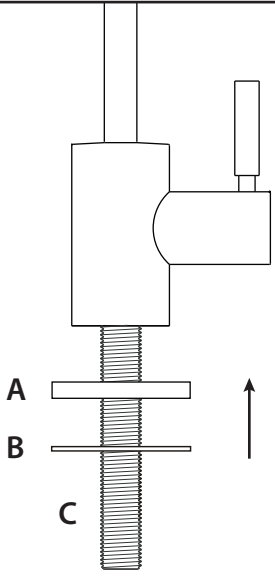
4.



Turn faucet to the desired handle position. Securely tighten nut with adjustable wrench.

COLD ONLY FILTRATION FAUCET INSTALLATION

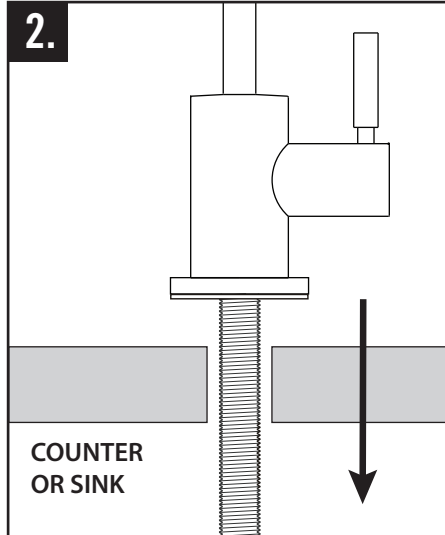
1.



A
B
C

Slide escutcheon plate (A) and clear vinyl washer (B) onto threaded shroud (C) and up to base of faucet.

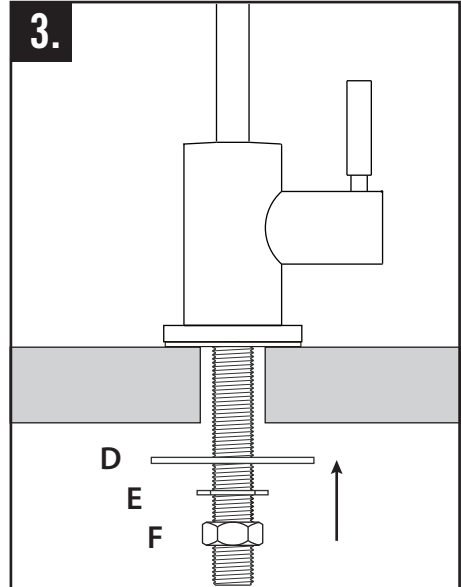
2.



COUNTER OR SINK

Fit faucet shank through hole on counter or sink. (No plumbers putty is required. Vinyl washer seals base).

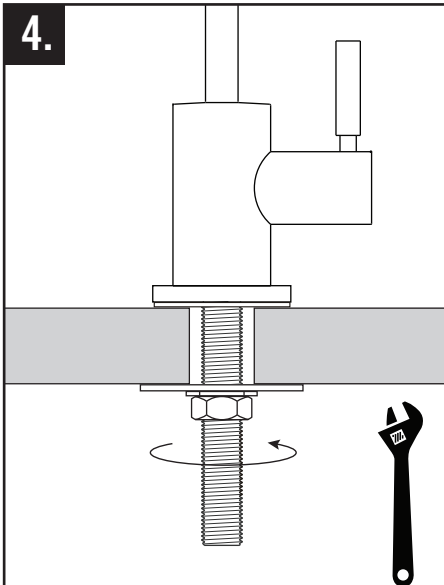
3.



D
E
F

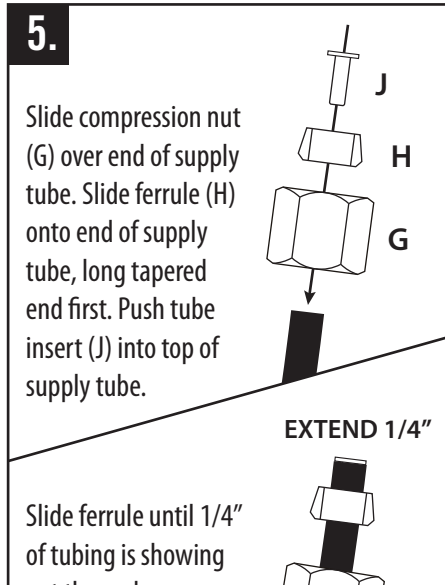
Slide large washer (D) and star lock washer (E) onto shank. Thread the nut (F) and hand tighten underside of sink or counter.

4.



Turn faucet to the desired handle position. Securely tighten nut with adjustable wrench.

5.



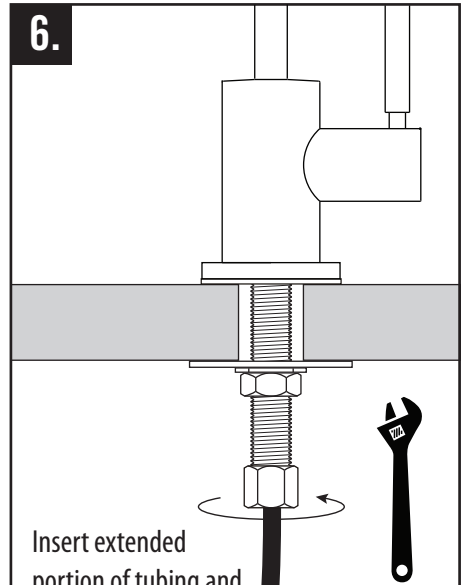
J
H
G

Slide compression nut (G) over end of supply tube. Slide ferrule (H) onto end of supply tube, long tapered end first. Push tube insert (J) into top of supply tube.

EXTEND 1/4"

Slide ferrule until 1/4" of tubing is showing out the end.

6.



Insert extended portion of tubing and tighten compression nut to end of faucet shank with wrench.

CARE AND CLEANING FOR WATERSTONE FAUCET FINISHES

ATTENTION: Waterstone offers many finishes for its faucet product line. Every finish is unique and requires different techniques of care and cleaning. Find your faucet's finish in sections below, then carefully read and follow directions for that finish.

ABOUT YOUR FINISH:

These finishes have a clear protective coating on them. Even though they have a protective coating, they are only considered semi-durable. If the outside clear coating is scratched or damaged in any way, the base metal finishes exposed will oxidize. Any use of an abrasive cleanser, or any abrasive pad, cloth or sponge can remove or dull the protective coating and damage the finish. Some available sink cleaners with bleach, soaps, and hand lotions will damage the finish, as can acidic organic cleansers. Always wipe your fixture down with a clean soft cloth and keep it clean and dry after use.

IMPORTANT NOTICE:

It is the responsibility of the customer to check for any material finish defects **BEFORE** installation.

SUGGESTED FINISH MAINTENANCE PROCEDURE:

1. Do not allow water spots to dry on the fixture. Keep the surface clean and dry after use.
2. Periodic cleaning can be done by using a mild diluted glass cleaner (we recommend Windex). Apply the mild cleaner to a soft clean cloth, and periodically wipe your fixture down to remove water spots and surface debris.
3. Never use cleaners with bleach, abrasives, or vinegar. Never use any type of abrasive pad or sponge.

Antique Brass - AB
Antique Copper - AC
American Bronze - AMB
Antique Pewter - AP
Black Nickel - BLN
Distressed Antique Brass - DAB
Distressed Antique Copper - DAC
Distressed American Bronze - DAMB
Distressed Antique Pewter - DAP
Polished Brass - PB
Polished Copper - PC
Polished Nickel - PN
Satin Nickel - SN
Venetian Bronze - VB

ABOUT YOUR FINISH:

These finishes are considered Living Finishes and have **NO PROTECTIVE COATING** on them. Living finishes are finishes that have a very shallow patina on their surface. Essentially, the finish is what nature would do to the surface over a long period of time. The finishes are intended to change with time and generally darken slightly where they are not being touched, and highlight where the high use points are on the fixture. Hand oils, soaps, and acidic fluids and cleaners can damage the finish. These finishes are not durable, and are easily scratched or scuffed. Any type of astringent cleaner or any type of abrasive cleanser, pad, cloth or sponge will damage the finish. To help keep the surface on the fixture from oxidizing in the packaging, Waterstone initially applies a wax to the finish surface to help protect and prevent the finish from exposure to air and oxidizing prior to installation.

IMPORTANT NOTICE:

It is the responsibility of the customer to check for any material finish defects **BEFORE** installation. Waterstone does not warranty these finishes **AFTER** the fixture has been installed.

SUGGESTED FINISH MAINTENANCE PROCEDURE:

1. Do not allow water spots to dry on the fixture. Keep the surface clean and dry after use.
2. Periodic cleaning can be done by using a micro-crystalline wax (we recommend Renaissance Wax). Apply the wax with a soft non abrasive tissue paper, and gently buff the wax with a soft clean cloth to help remove surface spots and add a protective coating the finish.
3. Never use cleaners with bleach, abrasives, or vinegar. Never use any type of abrasive pad or sponge.

Antique Bronze - ABZ
Caribbean Bronze - CB
Tuscan Brass - TB
Weathered Brass - WB

ABOUT YOUR FINISH:

These finishes are powder coated color finishes. They have **NO ADDITIONAL PROTECTIVE COATING**. These finishes are not considered durable finishes and can be scratched, chipped or scuffed. If the exterior color coating is damaged, the exposed metal base will oxidize. Any use of an abrasive cleanser, or any abrasive pad, cloth or sponge can remove or dull the color coating and damage the finish. Some available sink cleaners with bleach, soaps, and hand lotions will damage the finish, as can acidic organic cleansers. Always wipe your fixture down with a clean soft cloth and keep it clean and dry after use.

IMPORTANT NOTICE:

It is the responsibility of the customer to check for any material finish defects **BEFORE** installation.

SUGGESTED FINISH MAINTENANCE PROCEDURE:

1. Do not allow water spots to dry on the fixture. Keep the surface clean and dry after use.
2. Periodic cleaning can be done by using a mild diluted glass cleaner (we recommend Windex). Apply the mild cleaner to a soft clean cloth, and periodically wipe your fixture down to remove water spots and surface debris.
3. Never use cleaners with bleach, abrasives, or vinegar. Never use any type of abrasive pad or sponge.

Almond - 01
Black - 06
Biscuit - 07
Chocolate Bronze - CHB
Euro-White - EW
Matte Black - MB
White - WT

ABOUT YOUR FINISH:

Waterstone's stainless steel fixtures are actually made of solid stainless. This finish has **NO PROTECTIVE COATING** on it. Stainless steel is by its material nature very tarnish resistant, but by no means tarnish or stain proof. This finish will indeed oxidize naturally over time and react to its environment, and in a reaction to some chemical cleaners that have bleach in them rusting can be induced on the finish. Keep your stainless fixture wiped clean and dry, and use only a cleaner specifically made for stainless steel. Trapped moisture on the surface of your finish can lead to staining. Astringent cleaners, chlorine, bleach, along with acidic based organic cleansers are potentially harmful to stainless steel finishes.

IMPORTANT NOTICE:

It is the responsibility of the customer to check for any material finish defects **BEFORE** installation.

SUGGESTED FINISH MAINTENANCE PROCEDURE:

1. Do not allow water spots to dry on the fixture. Keep the surface clean and dry after use.
2. Periodic cleaning can be done by applying a "stainless steel cleaner" with a soft clean cloth to gently remove surface spots and brighten the finish.
3. Never use cleaners with bleach, abrasives, or vinegar. Never use any type of abrasive pad or sponge.

Stainless Steel - SS

ABOUT YOUR FINISH:**Weathered Copper - WC**

This finish is considered a Living Finish and has **NO PROTECTIVE COATING** on the surface. Living finishes are finishes that have a very shallow patina on their surface. Essentially, the finish is what nature would do to the surface over a long period of time. The finishes are intended to change with time and generally darken slightly where they are not being touched, and highlight where the high use points are on the fixture. Hand oils, soaps, and acidic fluids and cleaners can damage the finish. This finish is not durable, and can be easily scratched or scuffed. Any type of astringent cleaner or any type of abrasive cleanser, pad, cloth or sponge will damage the finish. To help keep the surface on the fixture from oxidizing in the packaging, Waterstone initially applies a non abrasive all purpose metal polish to the finish surface to help protect and prevent the finish from exposure to air and oxidizing prior to installation.

IMPORTANT NOTICE:

It is the responsibility of the customer to check for any material finish defects **BEFORE** installation. Waterstone does not warranty these finishes **AFTER** the fixture has been installed.

SUGGESTED FINISH MAINTENANCE PROCEDURE:

1. Do not allow water spots to dry on the fixture. Keep the surface clean and dry after use.
2. Periodic cleaning can be done by applying denatured isopropyl alcohol to a clean soft cloth and gently wiping down the finish surface to clean. Make sure not to rub too hard, in that you can remove too much of the surface patina. This step will leave the finish looking a shade darker.
3. Using a different soft clean cloth, apply a non-abrasive metal polish (we recommend "Miracle Shine") to the cloth and gently rub the polish into the finish. This will clean, protect, and brighten up the finish after it was left darker from the alcohol cleaning in step 2.
4. Never use cleaners with bleach, abrasives, or vinegar. Never use any type of abrasive pad or sponge.

ABOUT YOUR FINISH:**Black-Oil Rubbed Bronze - ORB**

This finish is considered a Living Finish and has **NO PROTECTIVE COATING** on the surface. Living finishes are finishes that have a very shallow patina on their surface. Essentially, the finish is what nature would do to the surface over a long period of time. The finishes are intended to change with time and generally darken slightly where they are not being touched, and highlight where the high use points are on the fixture. Hand oils, soaps, and acidic fluids and cleaners can damage the finish. This finish is not durable, and can be easily scratched or scuffed. Any type of astringent cleaner or any type of abrasive cleanser, pad, cloth or sponge will damage the finish. To help keep the surface on the fixture from oxidizing in the packaging, Waterstone initially applies a non abrasive all purpose metal polish to the finish surface to help protect and prevent the finish from exposure to air and oxidizing prior to installation.

IMPORTANT NOTICE:

It is the responsibility of the customer to check for any material finish defects **BEFORE** installation. Waterstone does not warranty these finishes **AFTER** the fixture has been installed.

SUGGESTED FINISH MAINTENANCE PROCEDURE:

1. Do not allow water spots to dry on the fixture. Keep the surface clean and dry after use.
2. Periodic cleaning can be done by applying mineral oil to a clean soft cloth and gently wiping down the finish surface to clean. Make sure not to rub too hard, in that you can remove too much of the surface patina surface with aggressive cleaning.
3. Once the mineral oil has been applied, with a clean soft dry cloth gently pat the finish surface to remove any excess oil on the fixture to until the fixture no longer looks "wet".
4. Never use cleaners with bleach, abrasives, or vinegar. Never use any type of abrasive pad or sponge.

ABOUT YOUR FINISH:**Polished Gold - PG
Satin Gold - SG**

This finish is done with real precious metal gold plating on the brass fixture surface. This finish has **NO PROTECTIVE COATING** and is extremely soft. Some or all of the Gold plating will be removed if any type of polish is used. Additionally, the finish will wear away with time. The gold plating is considered very delicate and can be easily scratched or scuffed. Any type of astringent cleaner or any type of abrasive cleanser, pad, cloth or sponge will damage the finish.

IMPORTANT NOTICE:

It is the responsibility of the customer to check for any material finish defects **BEFORE** installation. Waterstone does not warranty these finishes **AFTER** the fixture has been installed.

SUGGESTED FINISH MAINTENANCE PROCEDURE:

1. Do not allow water spots to dry on the fixture. Keep the surface clean and dry after use.
2. Periodic cleaning can be done with mild liquid soap only. Wipe gently with a soft cloth to clean.
3. Never use cleaners with bleach, abrasives, or vinegar. Never use any type of abrasive pad or sponge.

ABOUT YOUR FINISH:**Chrome - CH
Satin Chrome - SC**

These finishes are the most durable finishes Waterstone offers. The best general maintenance is regular cleaning. Even though these finishes are considered durable, you can never use any abrasive type cleaners, clothes, or pads to clean your fixture. Always try and keep your finishes clean and dry. Trapped moisture on the surface of your finish can lead to staining. Astringent cleaners, chlorine, bleach, along with acidic based organic cleansers are potentially harmful to these finishes. Chrome plated finishes are very tarnish resistant. However, they are not indestructible and can scratch and mar.

IMPORTANT NOTICE:

It is the responsibility of the customer to check for any material finish defects **BEFORE** installation.

SUGGESTED FINISH MAINTENANCE PROCEDURE:

1. Do not allow water spots to dry on the fixture. Keep the surface clean and dry after use.
2. Periodic cleaning can be done by applying denatured isopropyl alcohol with a soft clean cloth to gently remove surface spots.
3. Never use cleaners with bleach, abrasives, or vinegar. Never use any type of abrasive pad or sponge.



41180 Raintree Court • Murrieta, CA 92562
1-888-304-0660 • 951-304-0520
www.waterstoneco.com

★ **MADE IN AMERICA** ★

VEN-038-FILT Rev. A