



26790 Madison Ave.  
Murrieta, CA 92562  
888-304-0660

www.waterstoneco.com

ITEM NO:

**5400 - 4**

STYLE:

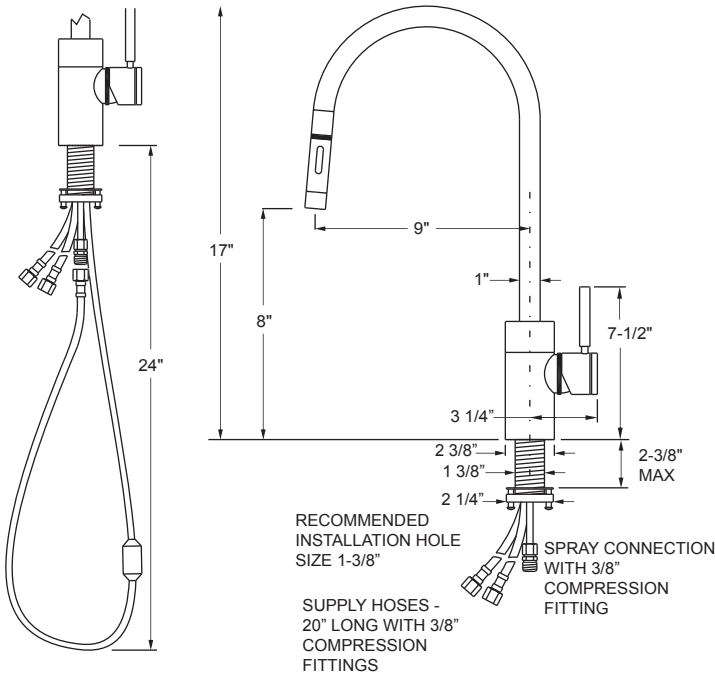
**PULLDOWN**

INTENDED USE: KITCHEN FAUCET MINI-SUITE

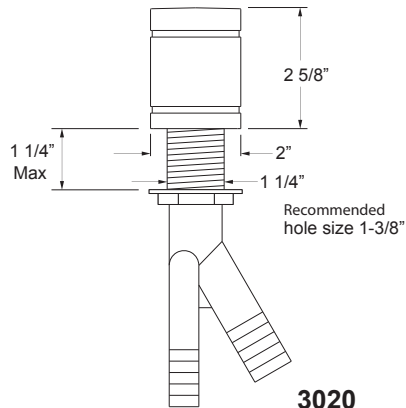
CUSTOMER NAME:

JOB NO:

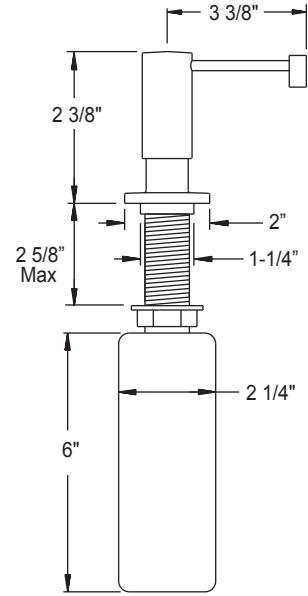
DIMENSIONS MAY VARY AND ARE SUBJECT TO CHANGE. NO RESPONSIBILITY IS ASSUMED FOR USE OF SUPERCEDED OR VOIDED DATA.



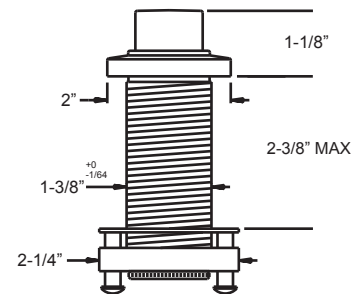
**5400**



**3020**



**4065**



**3010**

**Technical Specifications:**

- Unique "PLP" positive lock holds spray head in place.
- Pre-positioned "Easy Pull" counterbalanced weight.
- Spray head extends 18" from spout.
- Toggle select spray or aerated stream.
- 2.2 gpm maximum flow rate with stream selected.
- Solid brass or Stainless Steel construction.
- Single lever control hot/cold ceramic disk valve cartridge.
- Reversible/removable Hot & Cold indicator ring.
- Handle adjusts for clearance from backsplash.
- Braided connection hoses.
- Adjustable Teflon® "Friction Lock" aids handle feel and prevents sag.
- 360 degree swivel spout.

**Codes/Standards Applicable**

Specified model meets or exceeds the following:

- ASME A112.18.1
- CSA B125.1
- NSF 61
- AB1953

DATE: 1-01-11



Made in the U.S.A