



26790 Madison Ave.  
Murrieta, CA 92562  
888-304-0660

www.waterstoneco.com

ITEM NO:

3600-12

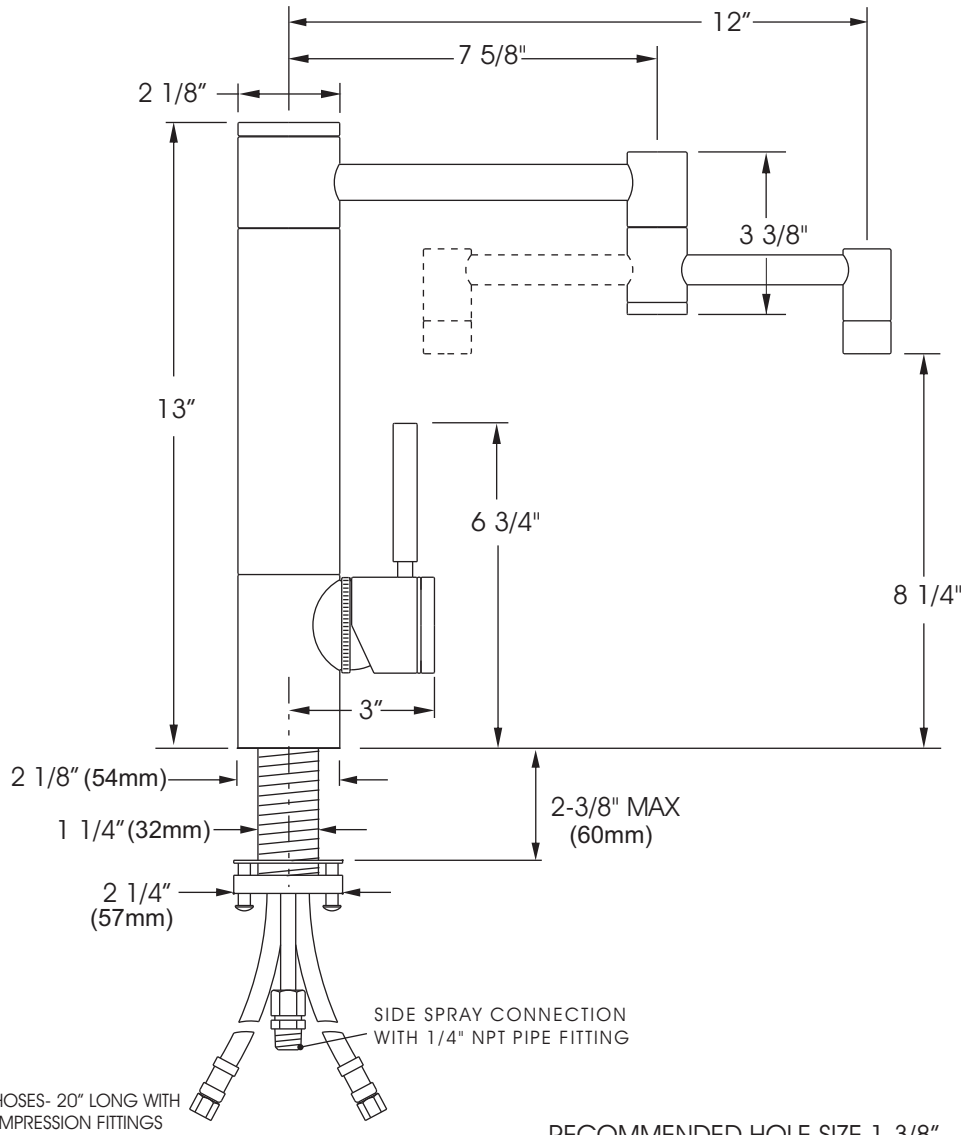
STYLE: HUNLEY

INTENDED USE: KITCHEN FAUCET

CUSTOMER NAME:

JOB NO:

DIMENSIONS MAY VARY AND ARE SUBJECT TO CHANGE. NO RESPONSIBILITY IS ASSUMED FOR USE OF SUPERCEDED OR VOIDED DATA.



RECOMMENDED HOLE SIZE 1-3/8"

**Technical Specifications:**

- Solid brass or Stainless Steel construction.
- Ceramic disk valve cartridge.
- Removable Hot/Cold indicator ring.
- 2.2 gpm maximum flow rate with aerated tip.
- Lever handle.
- Diverter equipped for connection to optional side spray.
- Reinforced braided connection hoses.
- Adjustable Teflon® "Friction Lock" aids handle feel and prevents sag.
- Articulating spout with 12" reach.
- Spout swivels 360 degrees.

**Codes/Standards Applicable**

Specified model meets or exceeds the following:

- ASME A112.18.1
- CSA B125.1
- NSF 61

DATE: 1-11-08



**Made in the U.S.A.**