

# CONTEMPORARY AIR SWITCH



## Product Description

- Above the deck design provides:
  - Easy operation.
  - Eliminates broken fingernails.
- Solid brass construction, button and trim ring available in solid Stainless Steel.
- Easily replaceable air pump.
- Simplifies first time disposer installations.
- Isolated from electrical connections.
- Requires 1-1/2" mounting hole.

## Connection Box

- On/Off safety air switch.
- Pressing air switch will alternately activate or deactivate two pieces of equipment plugged into the box.

## Codes/Standards Applicable

Connection Box complies with the following:

- UL
- CSA Enclosure Type 2

## Finishes Available

### FINISHES AVAILABLE:

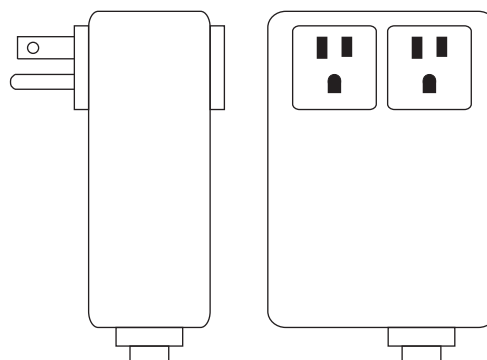
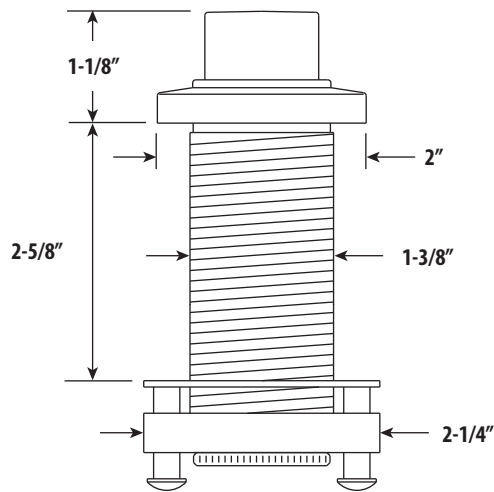
Almond - 01  
 Antique Brass - AB  
 Antique Bronze - ABZ  
 Antique Copper - AC  
 American Bronze - AMB  
 Antique Pewter - AP  
 Black - 06  
 Black Nickel - BLN  
 Black-Oil Rubbed Bronze - ORB  
 Biscuit - 07  
 Caribbean Bronze - CB  
 Chocolate Bronze - CHB  
 Chrome - CH

Distressed Antique Brass - DAB  
 Distressed Antique Copper - DAC  
 Distressed American Bronze - DAMB  
 Distressed Antique Pewter - DAP  
 Euro-White - EW  
 Matte Black - MB  
 Polished Brass - PB

Polished Copper - PC  
 Polished Gold - PG  
 Polished Nickel - PN  
 Satin Chrome - SC  
 Satin Gold - SG  
 Satin Nickel - SN  
 Stainless Steel - SS\*

Tuscan Brass - TB  
 Venetian Bronze - VB  
 Weathered Brass - WB  
 Weathered Copper - WC  
 White - WT

- Max Counter Thickness 2-5/8"
- Recommended Install Hole Size 1-1/2"



**Connection Box**  
 4-1/4"H x 3"W x 2"D  
 120v 15Amp 1Hp  
 Tubing included



DIMENSIONS MAY VARY AND ARE SUBJECT TO CHANGE. NO RESPONSIBILITY IS ASSUMED FOR USE OF SUPERCEDED OR VOIDED DATA

★ **MADE IN AMERICA** ★

41180 Raintree Court • Murrieta, CA 92562 • 1-888-304-0660 • 951-304-0520 • www.waterstoneco.com

\*Contemporary Styles Only

REVISED: 7-31-14