

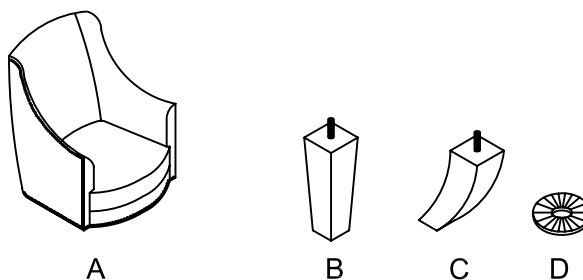
Uttermost

Assembly Instruction ITEM#23002

UNPACK CARTON ON A SOFT.SMOOTH SURFACE-INVENTORY ALL PARTS.

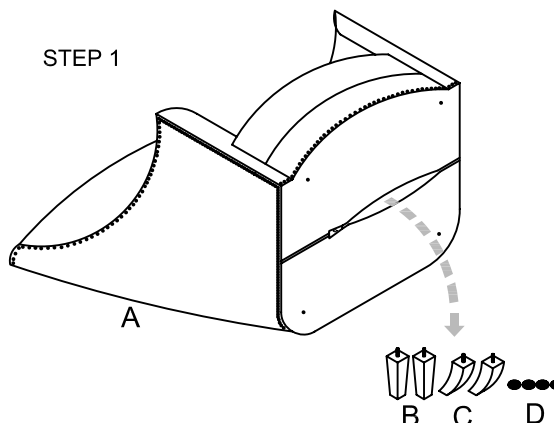
Component List:

- A.Chair..... 1pc.
- B.Front Leg..... 2pcs.
- C.Back Leg..... 2pcs.
- D.Plastic Washer.... 4pcs.



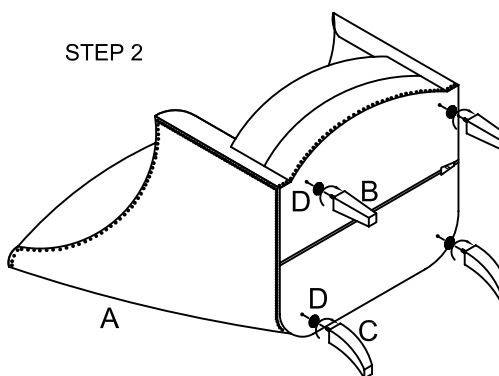
Step 1. Put the **Chair (A)** on a soft, clean place as shown. Unzip the compartment located on the bottom of **Chair (A)**. Remove the **Front Legs (B)**, **Back Legs(C)** and **Plastic Washer(D)** packed inside. Close zipper.

STEP 1



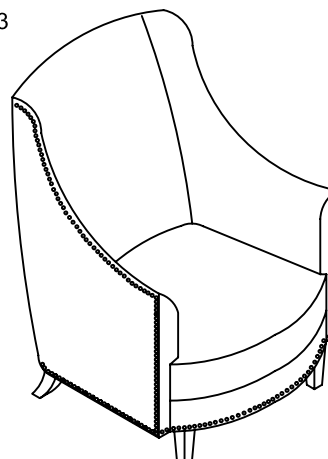
Step 2. Turn the **Front Legs(B)** and **Back Legs(C)** along with **Plastic Washer(D)** to the bottom of arms as shown.

STEP 2



Step 3. Turn **Chair (A)** upright.

STEP 3



Assembly is complete now.
Thank you for your purchase.