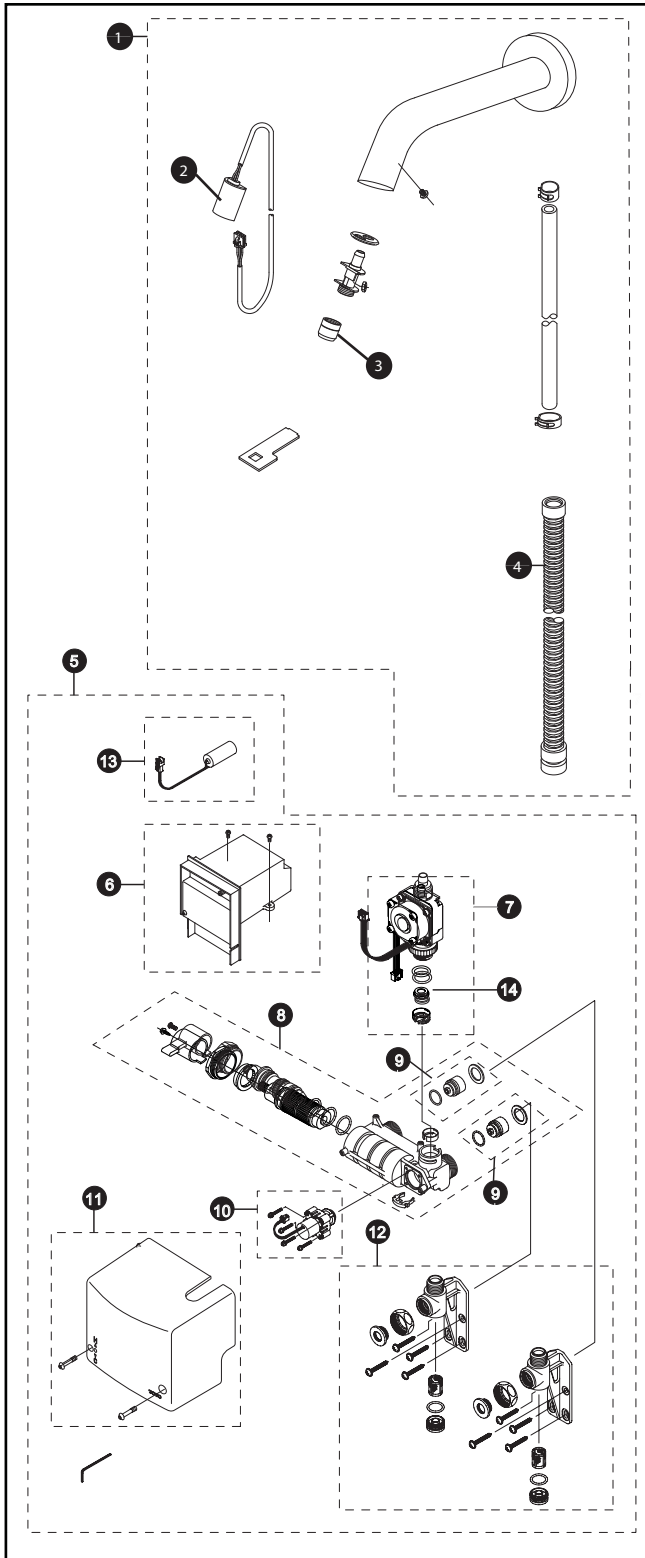


TEL5LW10#CP

TEL5LW10#CP
 DLE105AR (Spout)
 TN78-10V710 (Dynamo)

Sensor Faucet, Helix™ Wall Mount Spout Self-Generating EcoPower® System Thermal Mixing, 0.5 GPM



Item	Part	Description
1	DLE105AR	Spout Assembly
2	TH559EDV436	Sensor
3	THU3045#CP	0.5GPM Nozzle Assembly Set
4	THU3023	Flexible Tube
5	TN78-10V710	Dynamo Assembly
6	TH559EDV560	Thermal Dynamo Control Unit 10 sec.
7	TH559EDV563	0.5GPM Dynamo and Flow Control Unit
8	TH559EDV469	Thermal Mixing Valve
9	TH559EDV472	Check Valve Unit
10	TH559EDV470	Solenoid and Diaphragm Assembly
11	TH559EDV471	Control Cover Set
12	TH559EDV429R	Mounting Bracket Set
13	TH559EDV410R	Back-Up Battery
14	TH559EDV570	0.5GPM regulator

Product Number Explanations

Faucet

(T) Fitting
 (E) Electronic
 (L) Lavatory
 (S) Thermal Mixing
 (L) Generator Type
 (W) Wall Mount
 (10) 10 Second
 (#CP) Polished Chrome