

Upton™ One-Way Volume Control Trim

FEATURES

- For use with One-Way Volume Control Valve (TS2A)

COLORS/FINISHES

- #CP Polished Chrome
- #BN Brushed Nickel
- #PN Polished Nickel

CODES/STANDARDS

- Meets or exceeds ASME A112.18.1/CSA B125.1
- Certifications: IAPMO(cUPC), State of Massachusetts and others
- Code Compliance: UPC, IPC, NSPC, NPC Canada, and others



PRODUCT SPECIFICATION

Volume control trim shall be TOTO Model TS630C2#____ and required one-way volume control valve shall be TS2A.

TS630C2

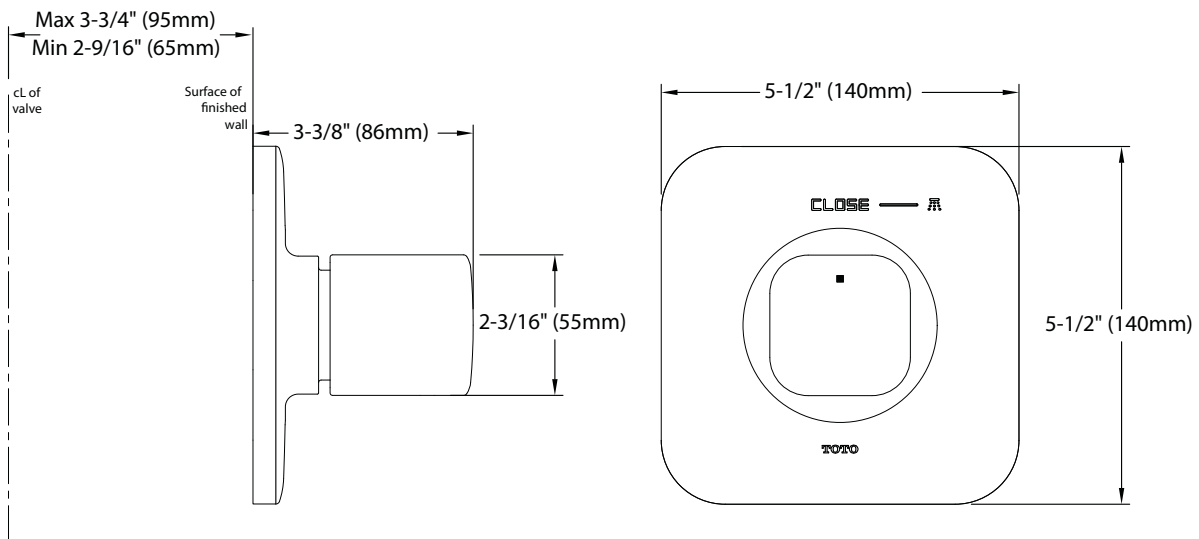
Upton™ One-Way Volume Control Trim

SPECIFICATIONS

- Warranty Lifetime Limited Warranty (Residential Use)
One Year (Commercial Use)
- Material Brass
- Shipping Weight 4.4 lbs.
- Shipping Dimensions 11" L x 12-3/8" W x 3-5/8" H

INSTALLATION NOTES

VALVE REQUIRED:
One-Way volume control valve, model TS2A sold separately.



TOTO®

These dimensions and specifications are subject to change without notice