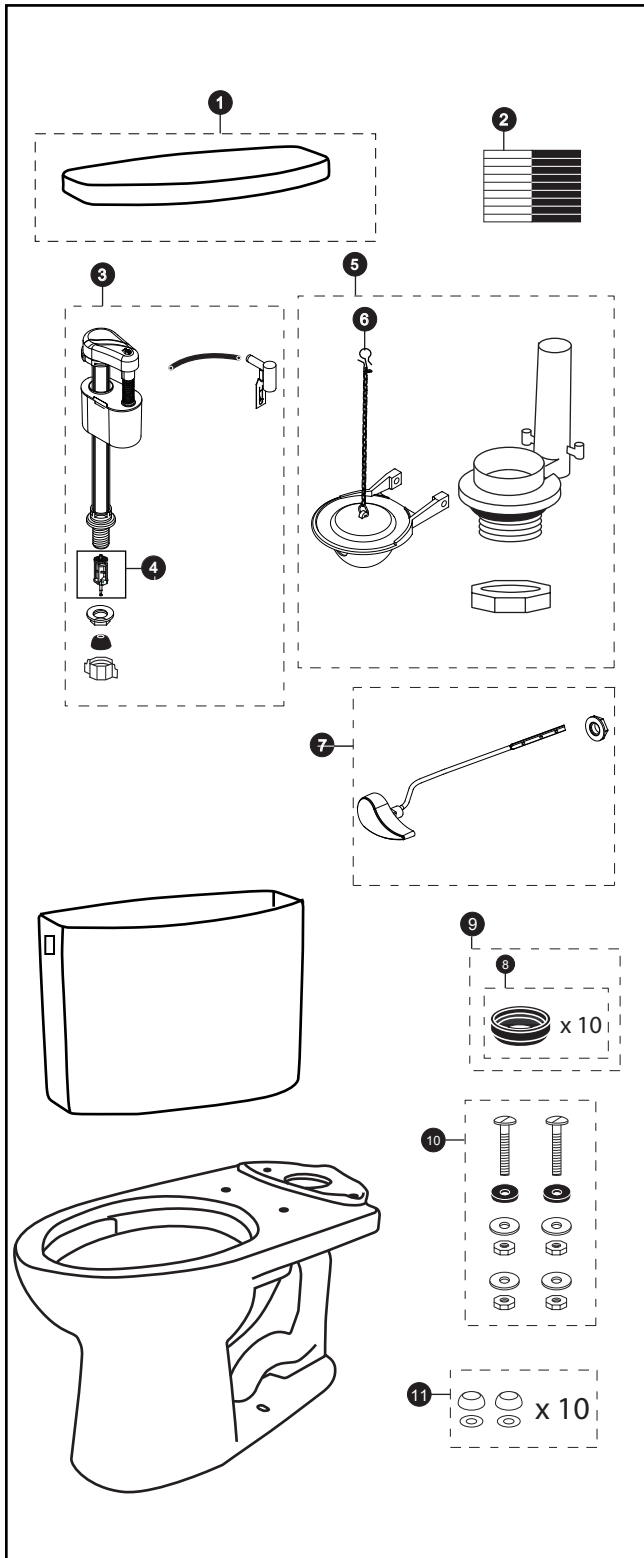


CST454CEF(G)

CST454CEF CST454CEFG
 ST454E ST454E
 C454CEF C454CEFG

2 Pc Drake® II 1.28 Gpf Toilet, Elongated, E-Max®, 12" Rough-In, (including SanaGloss®)



Item	Part	Description
1	TCU454CRE#01	Tank Lid w/ Velcro Tape
	TCU454CRE#03	Tank Lid w/ Velcro Tape
	TCU454CRE#04	Tank Lid w/ Velcro Tape
	TCU454CRE#11	Tank Lid w/ Velcro Tape
	TCU454CRE#12	Tank Lid w/ Velcro Tape
	TCU454CRE#51	Tank Lid w/ Velcro Tape
2	THU107	Velcro Tape
3	TSU38A	Fill Valve
4	THU229	Fill Valve Filter
5	THU252W-6A	Flush Valve
6	THU347S	Flapper w/Chain
7	THU068#CP	Trip Lever
	THU068#BN	Trip Lever
	THU068#PN	Trip Lever
8	THU131	Tank to Bowl Gaskets (for 10 toilets)
9	9BU024E	Tank to Bowl Gasket (1 pc)
10	TSU01D	Tank Mounting Kit
11	THU098#01	Bolt Cap Sets (for 10 toilets) for #01 & #11
	THU098#03	Bolt Cap Sets (for 10 toilets) for #03 & #12
	THU098#04	Bolt Cap Sets (for 10 toilets)
	THU098#51	Bolt Cap Sets (for 10 toilets)

Product Number Explanations

<p>Two-Piece Toilet (CST) Gravity type Toilet (454) Model (C) Double-Cyclone (E) E-Max® (F) Universal Height (G) SanaGloss</p>	<p>Tank (ST) Tank (454) Model (E) E-Max®</p>	<p>Bowl (C) Bowl (454) Model (C) Double-Cyclone (E) E-Max® (F) Universal Height (G) SanaGloss</p>
<p>Colors (#01) Cotton (#03) Bone (#04) Gray (#11) Colonial White (#12) Sedona Beige (#51) Ebony</p>	<p>Finishes (#CP) Chrome Plated (#BN) Brushed Nickel (#PN) Polished Nickel</p>	