

# TOTO®

## Lloyd® Thermostatic Mixing Valve Trim with Dual Volume Control

# TS930D



TS930D#CP - Lloyd® Thermostatic Mixing Valve Trim with Dual Volume Control

- Clean, elegant design to complement the Lloyd® design Suite
- Durable finishes
- Child safe lock

Decorative Thermostatic Mixing Valve Trim with Dual Volume Control to match the Lloyd® design Suite.

### ■ TS930D#CP

Lloyd® Thermostatic Mixing Valve Trim with Dual Volume Control, polished chrome finish.

#### □ Note

Requires SMA thermostatic valve model TSTD

*Finishes:*

*Standard Polished Chrome*

*See Price Book for additional information*

# TS930D Lloyd® Thermostatic Mixing Valve Trim with Dual Volume Control

## ■ DESIGN

Designed to match the Lloyd® Suite of fixtures and fittings, the Lloyd® shower can complement any distinctive bath suite.

## ■ SPECIFICATIONS

Warranty: Lifetime Limited Warranty  
(Residential use)  
One Year (Commercial use)

Material: Cast Brass

Shipping Weight: **Individual** 5.74 lbs.

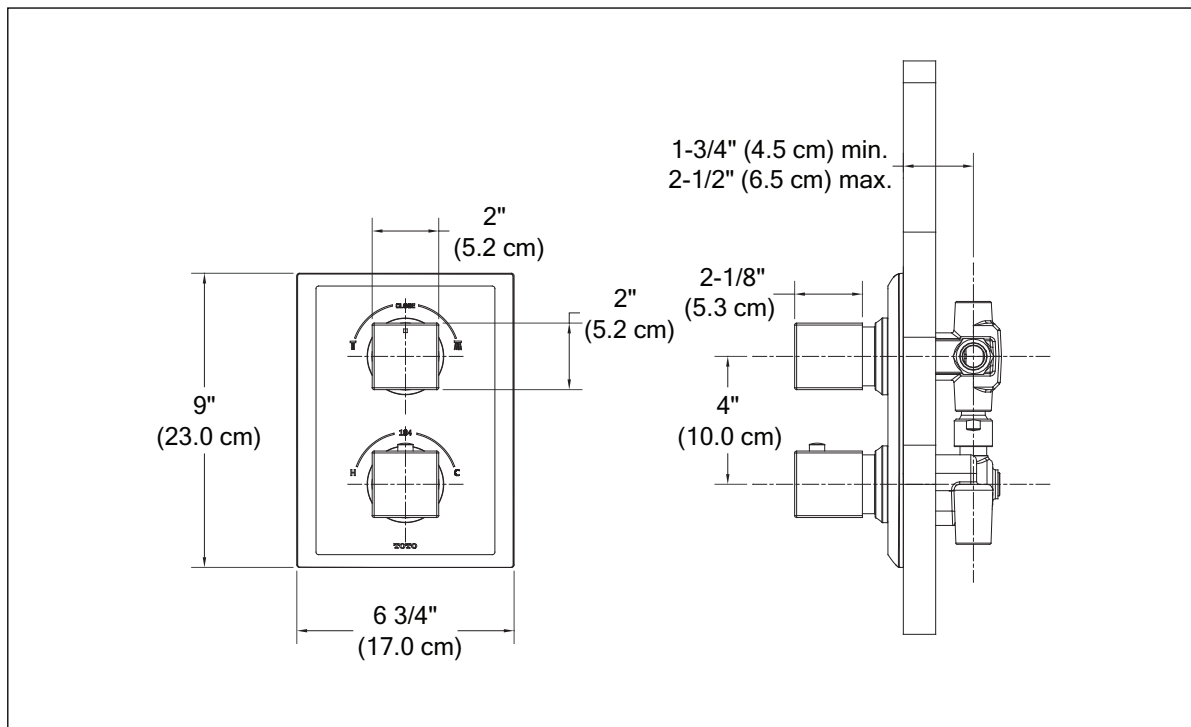
Shipping Dimensions: **Individual**  
12-1/2"L x 10-3/4"W  
x 3-1/2"H

## ■ CODES/STANDARDS

*Complies with and exceeds the following standards:  
ASME A112.18.1 / CSA B125-2005*

*Listed by:  
IAPMO*

*These dimensions and specifications are subject to change  
without notice.*



TS930D - Lloyd® Thermostatic Mixing Valve Trim with Dual Volume Control

**TOTO®**

TOTO® U.S.A., INC. • 1155 Southern Road, Morrow, GA 30260  
Tel. (888) 295-8134 • Fax. (800) 699-4889 • www.totousa.com

Printed in U.S.A. © TOTO® LTD. 07/08 #J10134

Printed on recycled paper 

REV 08/08