

To be specified:

Toilet Flush Valve

- Valve Only
 - TMT1LN#CP - 1.28 GPF/4.8 LPF
- Complete Set
 - TMT1LN32#CP - 1.28 GPF/4.8 LPF

Complete Set Supplied With:

- Vacuum Breaker & Angle Stop Set - VB9CP-32
 - 1" Angle Stop - 10077t3
 - 1 1/2" Vacuum Breaker - 10075t1
 - Spud Nut & Escutcheon - 71051Nt6
 - Sweat Solder Kit - TH559EDVSJ3

Z-4000-J - Adapter for Ground Joint Angle Stops
10075T1L - 24" Long 1-1/2" vacuum breaker tube

Meets the American Disabilities Act Guidelines and ANSI A117.1 requirements for people with disabilities.



TMT1LN32#CP

FLUSHOMETER VALVE

TOTO's® superior quality manual flushometer valves incorporate a durable bronze body with a nickel-chrome finish and an adjustable tailpiece. Also featured is a flush lever with a triple sealing structure to prevent leaks and a stainless steel collar to reduce sticking, even under severe water conditions. TOTO® flushometer valve accessories include: a check valve angle stop with threaded vandal resistant cap, vacuum breaker outlet tube, wall flange with sweat solder kit, fixture spud nut and escutcheon.

SUPERIOR PISTON VALVE TECHNOLOGY

TOTO's® piston valve technology is a marked improvement over traditional rubber diaphragm type valves. Not only does the longer piston travel and self-cleaning, common problems such as continuous running and flooding, but the piston itself will not warp or mis-seal, thus significantly reducing repair and maintenance costs. A micro-porous cup seal keeps the piston self-lubricated with the incoming water supply upon each activation.


STANDARD OF PERFORMANCE

A superior and unparalleled engineering design assures a consistently strong flushing action even under a wide range of water pressure.



Manual Water Closet Flushometer Valve HET Exposed – 1.28 GPF

SPECIFICATIONS

Product	TMT1LN#CP – Valve Only, 1.28 GPF/4.8 LPF, right/left hand rough TMT1LN32#CP – Complete Set (1-1/2" V.B.), 1.28 GPF/4.8 LPF, right/left hand rough
Fixture Type	Flushometer valve bowl 1.28 GPF/4.8 LPF
Water supply pipe	1" NPT
Water supply pressure	30 psi (flowing) - 100 psi * (minimum 23 gpm flow rate)
Listings	 A.S.S.E. 1037
Warranty	Limited three (3) year warranty on all component parts. Details available upon request.

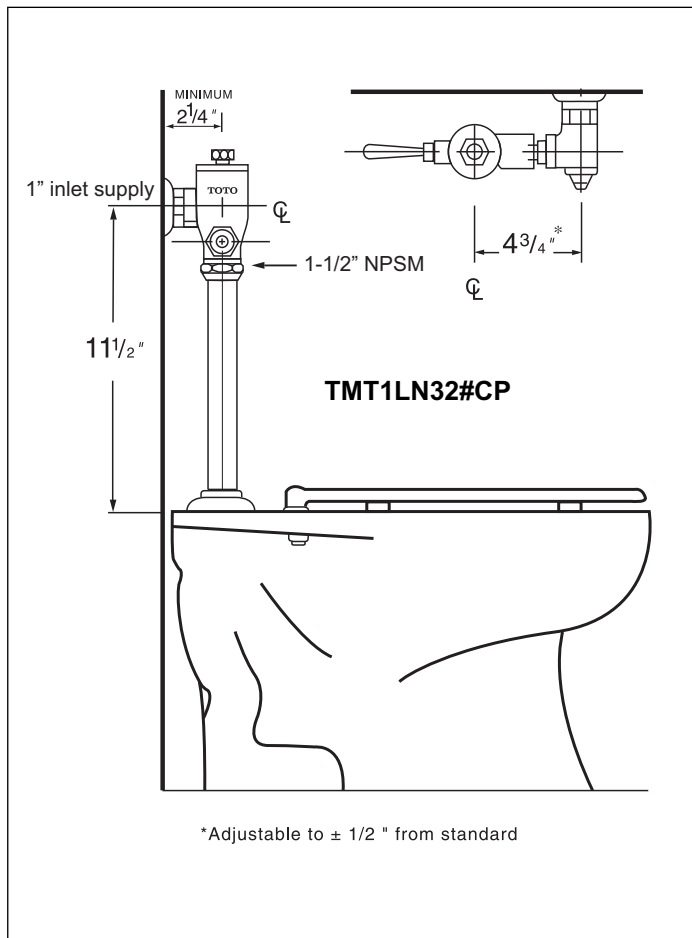
*These dimensions and specifications are subject to change without notice.
Water pressures over 80 psi are not recommended for most plumbing fixtures.

SUGGESTED ENGINEERING SPECIFICATION:

TOTO® Model No. _____
Manual toilet brass flushometer valve, non-hold-open piston type with self-cleaning debris screen and precise flushing capability. Low consumption 1.28 GPF/4.8 LPF

Polished Chrome exterior, angle stop with back-check and vacuum breaker included.

DIAGRAM:




FLUSHOMETER VALVES -

Brass construction, polished chrome exterior, piston valve, non-hold-open feature, angle stop with check valve, outlet tube with vacuum breaker, spud nut, escutcheon & wall flange.

- TMT1LN32#CP** 1.28 gpf toilet F.V.
1 in. NPT inlet and 1-1/2 inch outlet

TOTO®

TOTO® U.S.A., INC. • 1155 Southern Road, Morrow, GA 30260
Tel. (888) 295-8134 • Fax. (770) 282-8701 • www.totousa.com
Printed in U.S.A. © TOTO® LTD. 08/08 #H80062

Printed on recycled paper 

REV 08/08