

To be specified:

Wireless Faucet Controller

- Battery Powered
- TEC1DS#GY

Meets the American Disabilities Act Guidelines and ANSI A117.1 requirements for people with disabilities, and FCC requirements NSF 61/9 for residential uses.

HANDS-FREE OPERATION

An easy-to-use remote allows you to simply press the control to turn the water on and off. The remote can be placed anywhere that user finds comfortable within a radius of 3 feet from control box.

EASY INSTALLATION

No rough-in required; Wi-Touch can be installed with all existing manual faucets.

CLEAN ENVIRONMENTS

Wi-Touch is a simple add-on solution to improve hygiene in kitchens and bathrooms. You can push the control without using your hands, preventing the spread of germs and bacteria to the faucet, where they remain and are passed on to the next user unless sanitized.

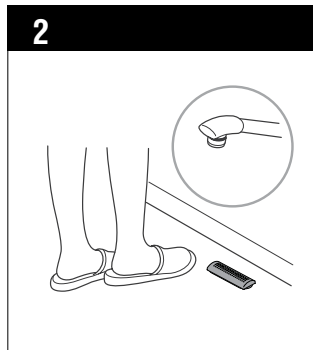
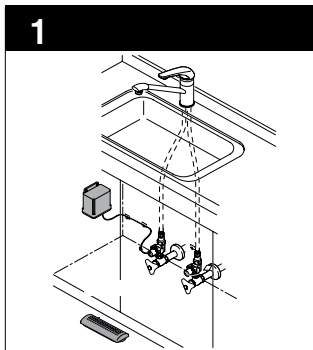
COMPATIBLE WITH ALL NON SELF-CLOSING FAUCETS

Can be installed with any standard manual faucet, with or without pullout sprays. Applications include residential kitchens and bathrooms as well as health-conscious facilities such as hospitals, restaurants, hotels and public rest rooms.

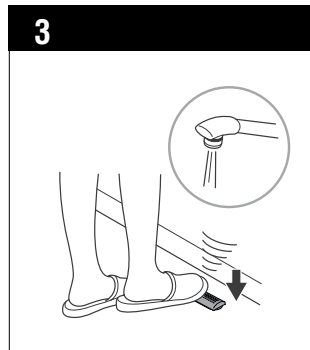


TEC1DS#GY Wireless Faucet Controller

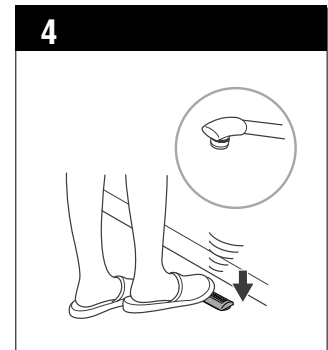
OPERATING PROCEDURE



Foot remote control can be installed within a 3-foot radius of controller box.



Click the foot control to turn the water on and off. If you do not turn off, water will run for 10 minutes before it shuts off automatically.



To shut the water off manually, simply press the remote control again.



