



LT382G - EN™ self-rimming lavatory

- 21" DIA.
- Contemporary styling
- Stylish geometric design
- SanaGloss® technology: Super smooth, ion barrier glazing helps keep your lavatory clean

Vitreous china self-rimming lavatory. Complete with installation template.

- Without overflow.

■ **LT382G**
Lavatory with SanaGloss® glazing.

Colors:

Standard #01 Cotton

Optional See price book for additional colors



LT382G

EN™ Self-Rimming Lavatory

DESIGN

Simple geometric design, self-rimming lavatory. Designed to compliment a variety of design styles, the LT382G has the added benefit of TOTO's SanaGloss® technology: Super smooth, ion barrier glazing helps keep your lavatory clean.

SPECIFICATIONS

Waste: 1-1/4" O.D.
 Size: 21" DIA.
 Basin: 19-1/4" DIA.
 Warranty: Five Year Limited Warranty
 Material: Vitreous china
 Overflow: **None**

Shipping Weight: **LT382G**
 21 lbs.

Shipping Dimensions: **LT382G**
 22-1/2"W x 22"D
 x 8-3/4"H

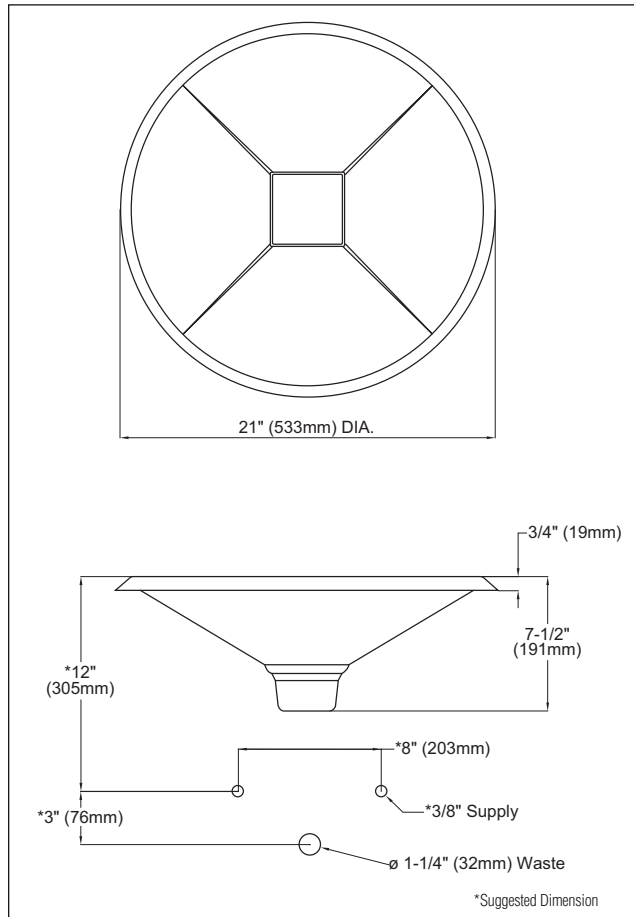
Fixture dimensions and hydraulic performance meet or exceed ANSI/ASME standard A112.19.2M and CAN/CSA B 45 requirements.

Listing / Approvals: IAPMO, c-UPC, City of Los Angeles, State of Massachusetts, and others.

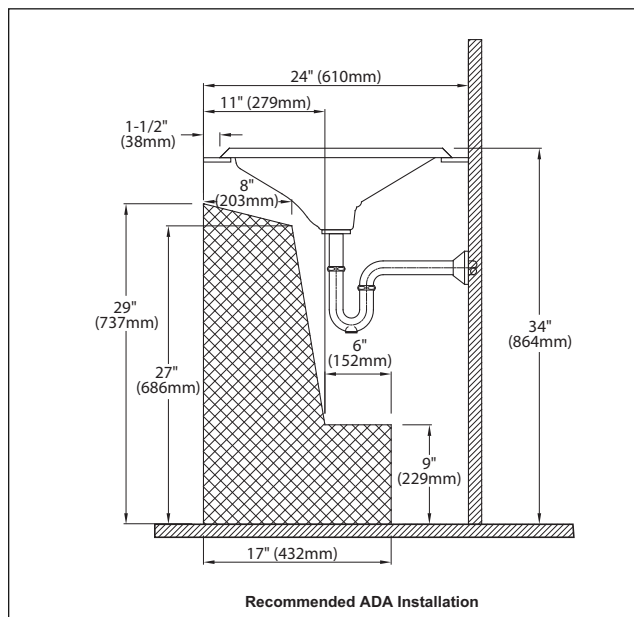


Meets the American Disabilities Act Guidelines and ANSI A117.1 requirements when lavatory installed 844mm (33-1/4") from finished floor and lavatory installed 38mm (1-1/2") minimum from the front edge.

These dimensions and specifications are subject to change without notice.



LT382G EN Self-rimming Lavatory



TOTO®

TOTO® U.S.A., INC. • 1155 Southern Road, Morrow, GA 30260
 Tel. (888) 295-8134 • Fax. (770) 282-8701 • www.totousa.com

Printed in U.S.A. © TOTO® LTD. 02/07 #C30451

Printed on recycled paper

REV 06/08