



LT185 - Curva™ Vessel Lavatory

- 18" dia. Vessel lavatory with template
- Without overflow
- Subtle curves add shadows and softness to edges

Vitreous china vessel lavatory.
Complete with template.

■ **LT185**
Vessel lavatory with template.

Colors:
Standard #01 Cotton, #12 Sedona Beige

 ADA Compliant

LT185

Curva™ Vessel Lavatory

DESIGN

The Curva LT185 vessel lavatory is made from durable vitreous china for years of quality use.

SPECIFICATIONS

Waste: 1-1/4" O.D.
 Overall Size: 18" Dia. x 6-1/4"
 Basin: 13" Dia.
 Warranty: One Year Limited Warranty
 Material: Vitreous china
 Overflow: None

Shipping Weight: **LT185**
 20.5 lbs.

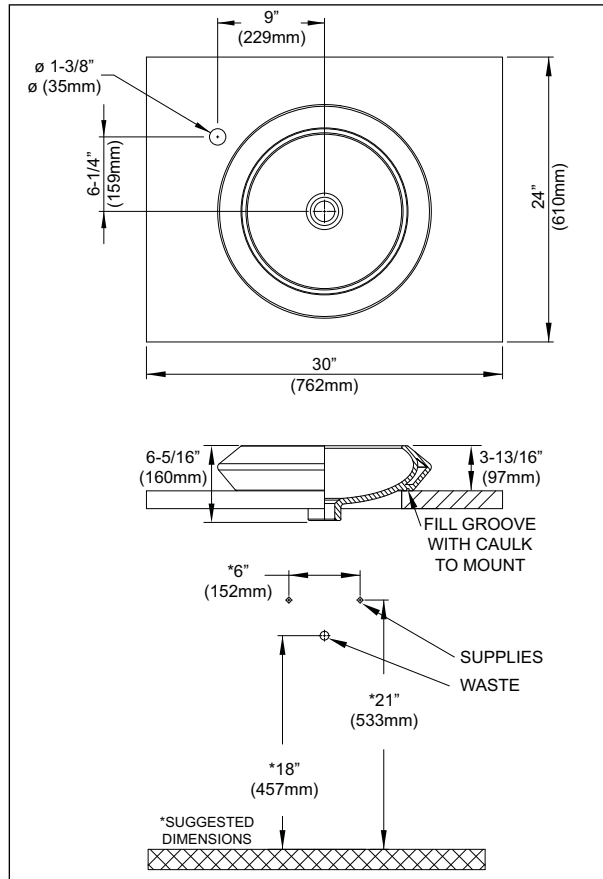
Shipping Dimensions: **LT185**
 19"L x 19"W
 x 8-1/4"H

Product complies with the requirements of ASME
 A112.19.2/CSA B45.1 U.S. & Canadian Certification
 Obtained: IAPMO/cUPC, and others

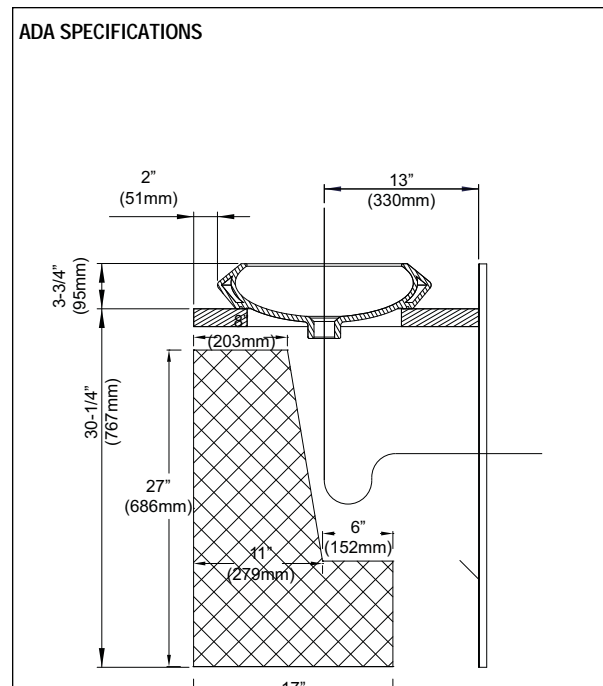


Meets the American Disabilities Act Guidelines and ANSI A117.1 requirements when countertop installed 767mm(30") from finished floor and lavatory installed 2" from front.

These dimensions and specifications are subject to change without notice.



LT185 - Curva™ Vessel Lavatory



TOTO®

TOTO U.S.A., INC. • 1155 Southern Road, Morrow, GA 30260
 Tel. (888) 295-8134 • Fax. (770) 282-8701 • www.totousa.com
 Printed in U.S.A. © TOTO LTD. 05/09 #C30570

Printed on recycled paper

REV 05/09