

TOTO®

CST794EF#01-PP

Waza® Miyabi™ Pine Tree Close Coupled Toilet, 1.28GPF

FEATURES

- The Pine Tree design in the Waza Miyabi collection depicts both pine trees, on the upper portion of the product, and plum trees, on the bottom portion. In nature, these are two of the heartiest species, surviving even in the coldest season
- E-Max® flushing system, low consumption (1.28GPF/4.8LPF)
- Elongated skirted design
- Universal Height
- Decorative two-piece design with high-profile tank
- Rose Bronze trip lever

MODELS

- CST794EF#01-PP

COMPONENTS

- CT794EF#01-PP
Elongated bowl
- ST794E#01-PP
Tank and cover only
- SS204 SoftClose® seat (sold separately)

COLORS/FINISHES

- Standard
#01-PP
Cotton-Pine Tree and Plum Blossoms

Trip Lever:
#RS Rose Bronze

PRODUCT SPECIFICATION

The two-piece low consumption E-Max flushing system toilet shall be 1.28GPF/4.8LPF. Toilet shall have high-profile tank, elongated front bowl and rose bronze trip lever. Toilet shall be TOTO Model CST794EF#01-PP.



The hand-painted work of art with vivid colors and intricate details will vary.



CODES/STANDARDS

- Meets and exceeds ASME A112.19.2/CSA B45.1
- Certifications: IAPMO(cUPC), EPA Watersense, State of Massachusetts, City of Los Angeles, and others
- Code compliance: UPC, IPC, NSPC, NPC Canada, and others
- Legislative Compliance: California AB715, California Green Building Code, City of Los Angeles Water Efficiency Ordinance
- ADA compliant (when installed with trip lever located on the approach side)



CST794EF#01-PP

Waza® Miyabi™ Pine Tree Close Coupled Toilet, 1.28GPF/4.8LPF

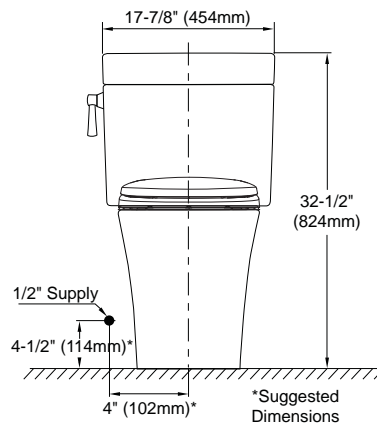
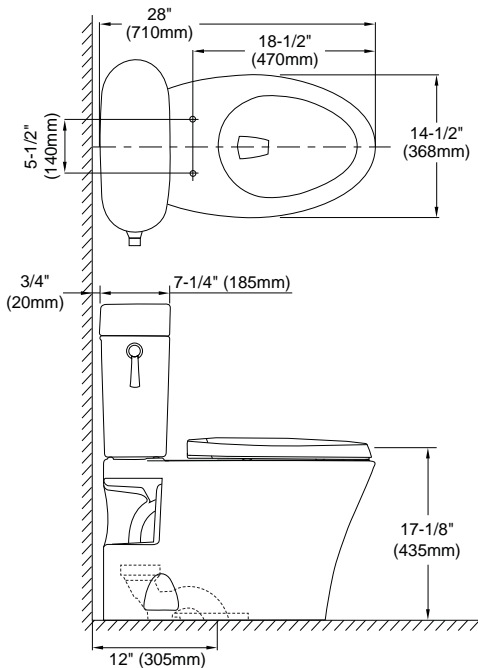
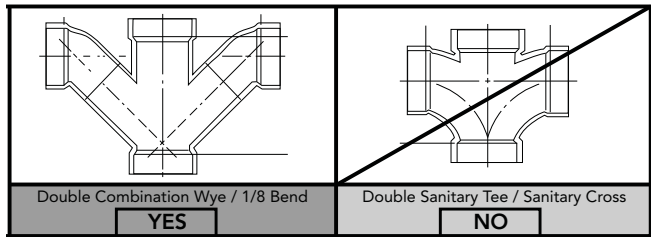
SPECIFICATIONS

- Water Use 1.28 GPF/4.8LPF
- Flush System E-Max®
- Min. Water Pressure 8 psi (static)
- Water Surface 10-1/4" x 8-1/4"
- Trap Diameter 2-1/16"
- Rough-in 12"
- Trap Seal 2-1/4"
- Warranty One Year Limited Warranty
- Material Vitreous china
- Shipping Weight CT794EF#01-PP - 62lbs
ST794E#01-PP - 36.5lbs
- Shipping Dimensions CT794EF#01-PP
29-3/4" L x 16-1/2" W
x 24-3/4" H

ST794E#01-PP
20-3/8" L x 8-3/8" W
x 19-5/8" H

INSTALLATION NOTES

Back-to-Back Toilet Installations:
TOTO recommends the use of a nationally listed, double sanitary tee-wye only, in vertical waste stacks, in accordance with the stipulations noted in the majority of nationally recognized plumbing codes.



TOTO®

These dimensions and specifications are subject to change without notice