



BT774B- Carrollton Bidet

- Classic, elegant styling with flushing rim and vertical spray.
- Designed for deck mounted bidet faucet with diverter and vacuum breaker.
- Designed to match the Carrollton Suite.
- Integral overflow

Vitreous China bidet with flushing rim and vertical spray. Designed for deck mounted bidet faucet with diverter and vacuum breaker. Complete with mounting bolt caps.

Colors:

Standard #01 Cotton

Optional See price book for additional colors

Bidet Faucet Not Included

BT774B Carrollton Bidet

DESIGN

Classic bidet with finely carved details. Designed to coordinate with TOTO's Carrollton Design Suite. Durable vitreous china offers years of quality use.

SPECIFICATIONS

Waste: 1-1/4" O.D.
 Size: 25-5/8"L x 14-5/8"W
 Height: 15"
 Faucet: With flushing rim and vertical spray. Designed for deck mounted bidet faucet with diverter and vacuum breaker.
 Warranty: Five Year Limited Warranty
 Material: Vitreous China

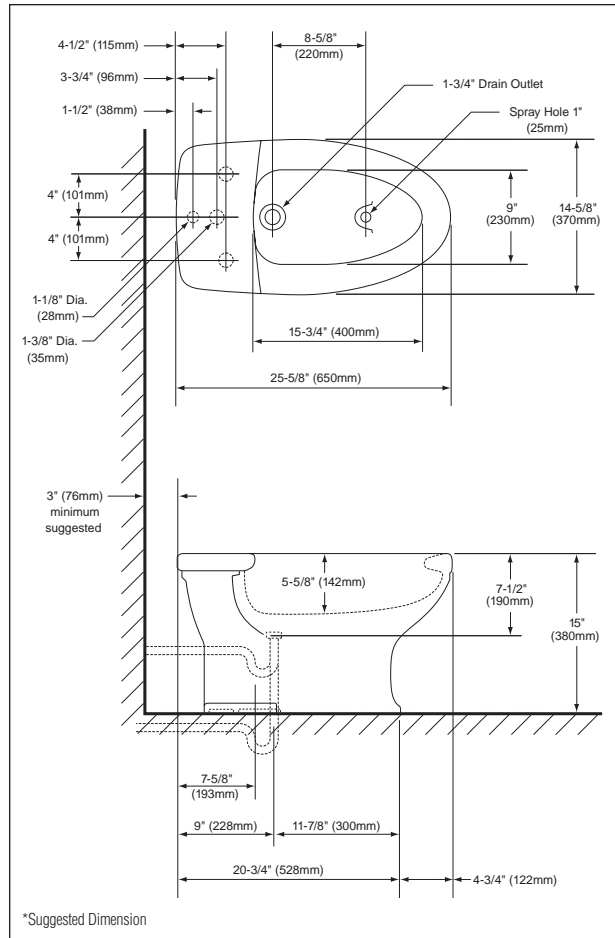
Shipping Weight: **BT774B**
 60 lbs.

Shipping Dimensions:
BT774B
 28"L x 15-3/8"W x 16-7/8"H

Fixture dimensions and hydraulic performance meet or exceed ANSI/ASME standard A112.19.2M and CAN/CSA B 45 requirements.

Listing / Approvals: IAPMO/UPC, CSA, City of Los Angeles, State of Massachusetts, and others.

These dimensions and specifications are subject to change without notice.



BT774B - Carrollton Bidet