



# T&S BRASS AND BRONZE WORKS, INC.

2 Saddleback Cove / P.O. Box 1088  
Travelers Rest, SC 29690



REG. #A2601  
ISO #9001

Model No.  
**B-0202**

Item No.

Travelers Rest, SC: 800-476-4103 Simi Valley, CA: 800-423-0150 Fax: 864-834-3518 www.tsbrass.com

This Space for Architect/Engineer Approval

Job Name \_\_\_\_\_ Date \_\_\_\_\_

Model Specified \_\_\_\_\_ Quantity \_\_\_\_\_

Customer/Wholesaler \_\_\_\_\_

Contractor \_\_\_\_\_

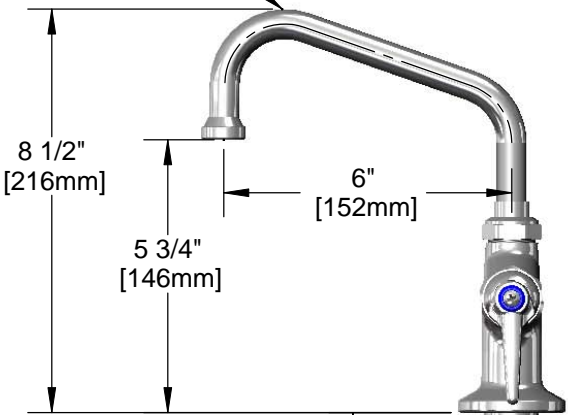
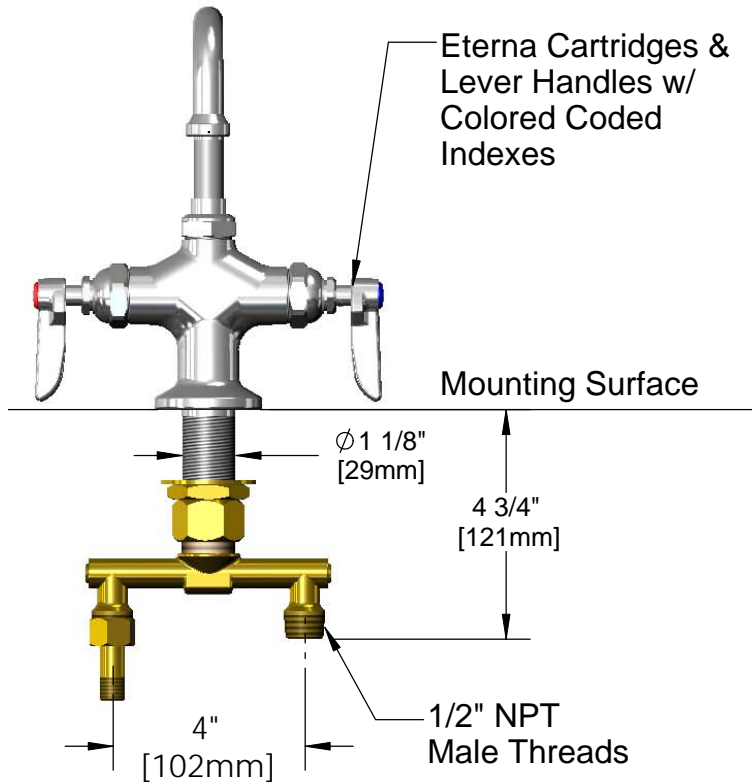
Architect/Engineer \_\_\_\_\_



**ADA Compliant**



059X  
6" Swing Nozzle w/  
Stream Regulator  
Outlet



Fits Decks up to  
1  $\frac{1}{8}$ " [29mm] Thick or  
1  $\frac{1}{4}$ " [32mm] Minimum  
By Removing Washer

(2) 150A  
Tailpiece & Nut  
for 1/4" NPT  
Connection

Note: Rough-In Requirements  
 $\phi 1 \frac{1}{2}$ " [38mm] Hole  
( $\phi 1 \frac{1}{4}$ " [32mm] Minimum)

Product Specifications:  
**Single Hole Deck Mount Mixing Faucet w/ Eterna Cartridges,  
Lever Handles, 6" Swing Nozzle, & Stream Regulator Outlet**

Drawn  
KJG

Checked  
JRM

Approved  
JHB

Scale:

1:4

Date:

06/16/10



**T&S BRASS AND BRONZE WORKS, INC.**

2 Saddleback Cove / P.O. Box 1088  
Travelers Rest, SC 29690

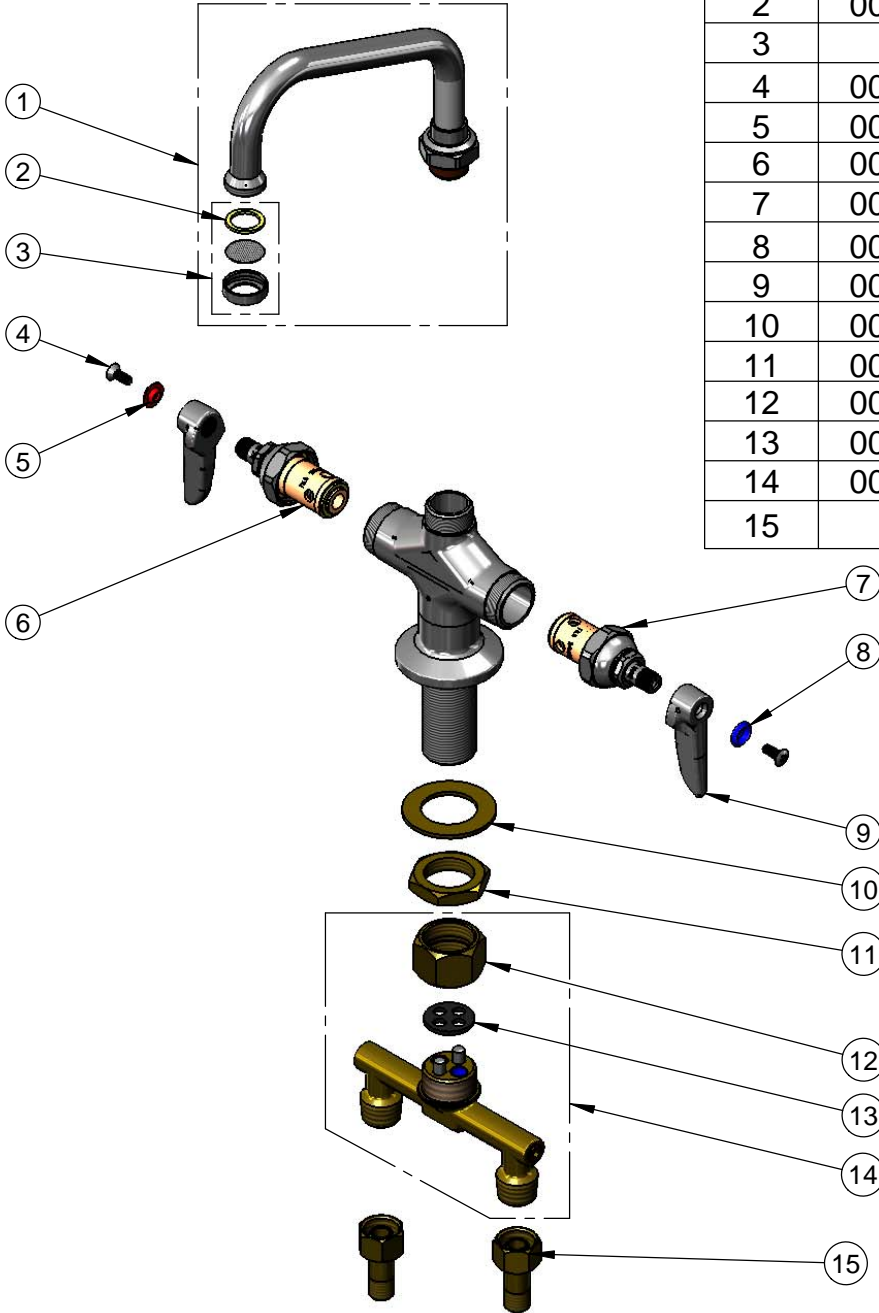


REG. #A2601  
ISO #9001

Model No.  
**B-0202**

Item No.

Travelers Rest, SC: 800-476-4103 Simi Valley, CA: 800-423-0150 Fax: 864-834-3518 www.tsbrass.com



ITEM NO.	SALES NO.	DESCRIPTION
1	059X	6" Swing Nozzle
2	001048-45	Nozzle Tip Washer
3	B-PT	Stream Regulator Outlet
4	000922-45	Lever Handle Screw
5	001661-45	Red Index-HW
6	005960-40	Spindle Asm, Eterna "Hot"
7	005959-40	Spindle Asm. Eterna "Cold"
8	001660-45	Blue Index-CW
9	001638-45	Lever Handle
10	002290-45	Lock Washer
11	000965-45	Lock Nut
12	000736-20	Spreader Coupler Nut
13	001041-45	Spreader Washer
14	002898-40	4" Spreader Unit
15	150A	Bag of (1) Nut & (1) Tailpiece

Product Specifications:

Single Hole Deck Mount Mixing Faucet w/ Eterna Cartridges, Lever Handles, 6" Swing Nozzle, & Stream Regulator Outlet

Drawn <b>KJG</b>	Checked <b>JRM</b>	Approved <b>JHB</b>
Scale: <b>1:4</b>		Date: <b>06/16/10</b>