



SCOT® S-60-H

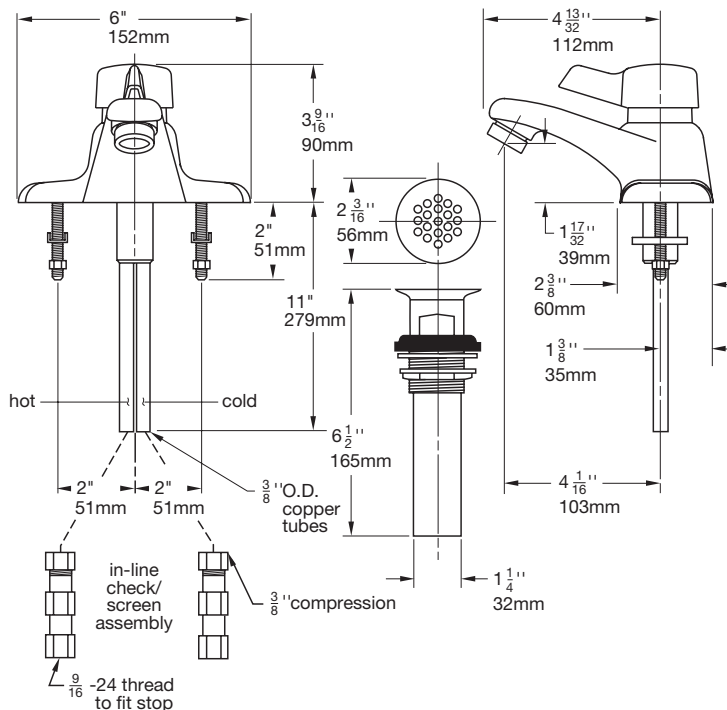
Slow-Closing Omni Temperature Lavatory Faucet

SCOT metering/temperature selection lavatory faucet with blade type handle for handicap accessible applications (replaces S-60 knob style handle). Cast brass 4" centerset with temperature limit stop to adjust outlet temperature and time limit stop to adjust flow time, includes (2) in-line check/screen assemblies. Spray outlet with 0.5 gpm flow rate. Vandal resistant.

- S-60-H: Faucet only
- S-60-G-H: With grid strainer drain assembly
- S-60-P-H: With pop-up drain assembly
- S-60-1-H: With lift rod only

Modifications: Add suffix to model number

- Suffix 1.25: Vandal resistant aerator in place of 0.5 gpm spray outlet (1.25 GPM at 50 PSI)
- Suffix NA: Non-aerated laminar flow outlet
- Suffix IPS: 1/2" IPS connectors
- Suffix STE: Supply tube extensions, 8" with compression couplings
- Suffix DP: Adaptor plate for 8" center installations
- Suffix OFG: Offset grid strainer



SYMMONS PRODUCTS MEET ANSI A112.18.1M, EPA '92 AND ALL KNOWN FLOW RATE REQUIREMENTS. Metering Faucets 0.25 gallons per cycle (1.0 L/cycle)

Job/Location

.....

Engineer

.....

Contractor

.....

For ADA compliance (Americans with Disabilities Act) consult ADAAG or your state regulations for proper product choice and mounting locations.

Symmons Industries, Inc. ■ 31 Brooks Drive ■ Braintree, MA 02184
 (800) 796-6667, (781) 848-2250 ■ Fax (800) 961-9621, (781) 843-3849
 Website: www.symmons.com ■ Email: customerservice@symmons.com

